

**Ordering Information**

Feature	With Mtg. Ears	Without Mtg. Ears
Part No.	H5050-XXPSW00XR	H5050-XXPSWA0XR

&& xx = 02 ~ 06

**Features:**

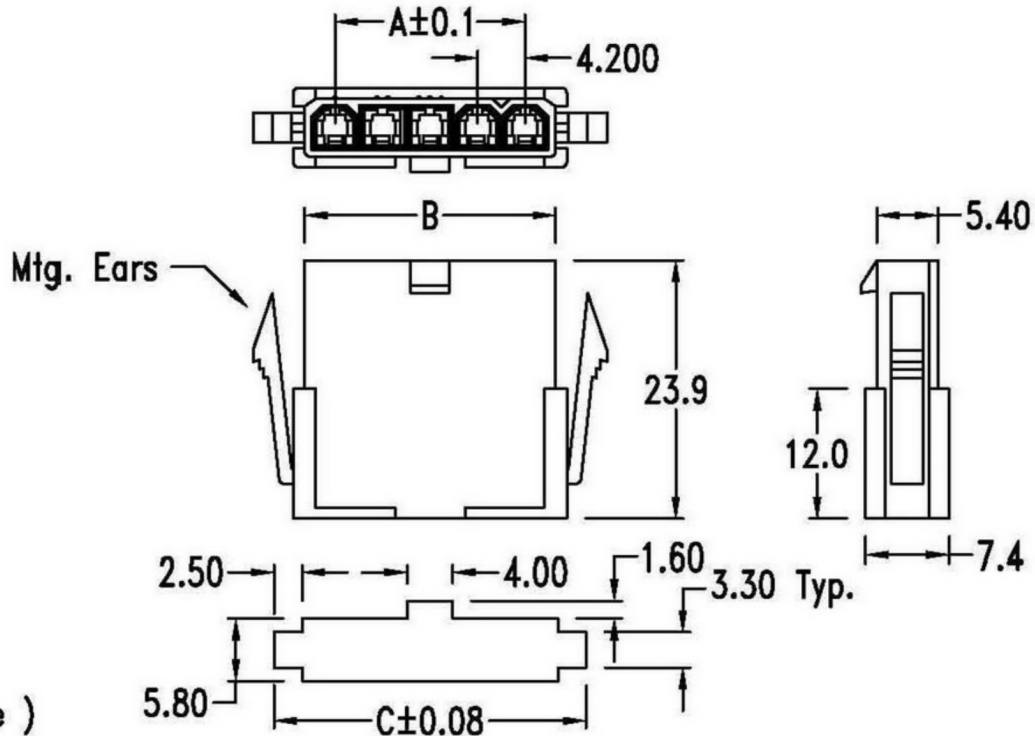
- 2 ~ 6 circuits available
- Material: UL 94V-2 nylon

**Specification:**

- Current rating: ( Used with #18 AWG )

Circuits	2 ~ 3	4 ~ 6
Ampere	9	8

- Voltage rating: 600V ( R.M.S. )
- Insulation resistance: DC 500V 1000MΩ min.
- Dielectric withstanding voltage: 1500V AC/minute
- Ambient temperature range: -40°C ~ 105°C  
( Including temperature rise )



**Dimensional Information ( mm )**

Circuits	Dim. A	Dim. B	Dim. C	Circuits	Dim. A	Dim. B	Dim. C	Circuits	Dim. A	Dim. B	Dim. C
2	4.2	9.6	15.0	4	12.6	18.0	23.4	6	21.0	26.4	31.8
3	8.4	13.8	19.2	5	16.8	22.2	27.6				

PANEL CUTOUT [ Max. panel thickness: .079"(2.0mm) ]

RoHS  
Compliant

**HSM** 玄茂科技股份有限公司  
HSUAN MAO TECHNOLOGY CO., LTD.

APPD. 核准 Helen	 SCALE 比例 参考 UNIT 單位 M M PAGE 張數 1 OF 1	TOLERANCE 容許公差 000 ± 0.08 ( mm ) .00 ± 0.25 ( mm ) .0 ± 0.40 ( mm )	PART NAME 品名 MINI FIT 4.2mm FEMALE HOUSING 1XXXP WHITE COLOR LOW-LEAD
DWG. 製圖 Yumi		SIZE. 紙張尺寸 A 4	PART NO. 料號 H5050-XXPSW00XR
DATE 制表日 2010/05/28	REV. 版次 A		