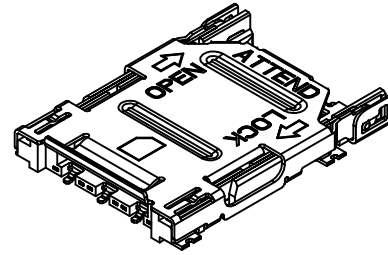


REV.	DESCRIPTION	DRAWN	DATE
1	INITIAL RELEASE	FROS	2019/08/13
1.1	add note	FROS	2019/09/02



**SPECIFICATION:**

1. ELECTRICAL
  - 1.1 Current Rating: 0.5A per pin
  - 1.2 Voltage Rating: 10V DC
  - 1.3 Contact Resistance: Initial 50mΩ, after 100mΩ Max.
  - 1.4 Insulation Resistance: 1000MΩ
  - 1.5 Dielectric Withstanding Voltage: 500VAC

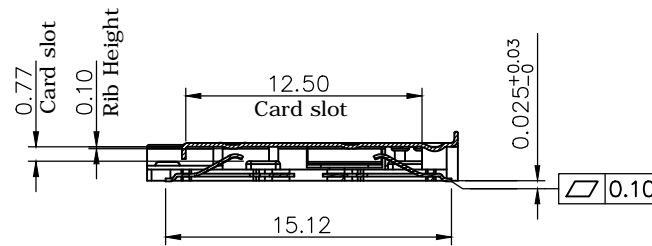
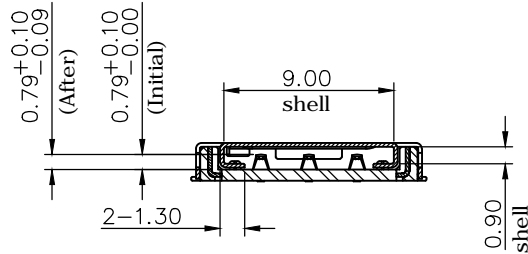
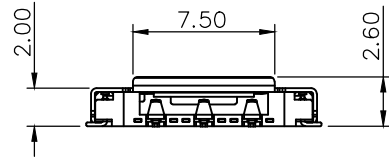
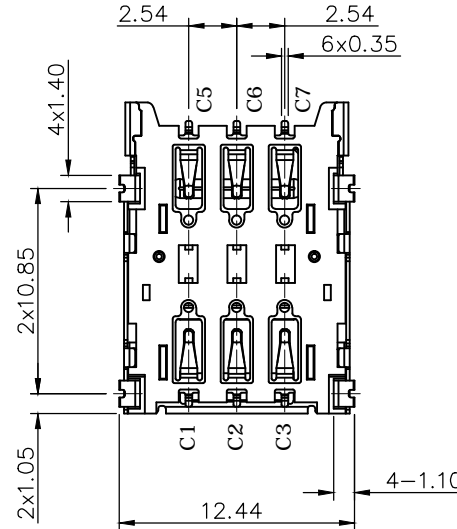
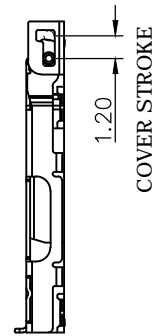
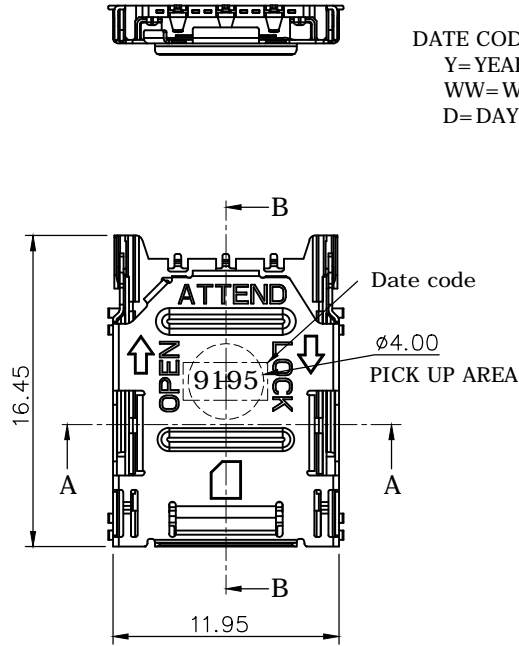


2. MECHANICAL
  - 2.1 Terminal Durability: 5,000 cycles
  - 2.2 Contact Normal Force: 0.3N min. per pin
  - 2.3 Open & Lock Durability: 100 cycles
  - 2.4 Open & Lock Force: 1.5N~20N with card

3. ENVIRONMENTAL
  - 3.1 Operating temperature range: -40°C~+105°C
  - 3.2 Storage temperature range: -40°C~+105°C

4. SOLDER ABILITY
  - 4.1 Recommended IR Reflow Temperature: 260°C

DATE CODE: 9195 (YWW)  
 Y= YEAR(2019)  
 WW= WEEK(01-52)  
 D= DAY(1-7)



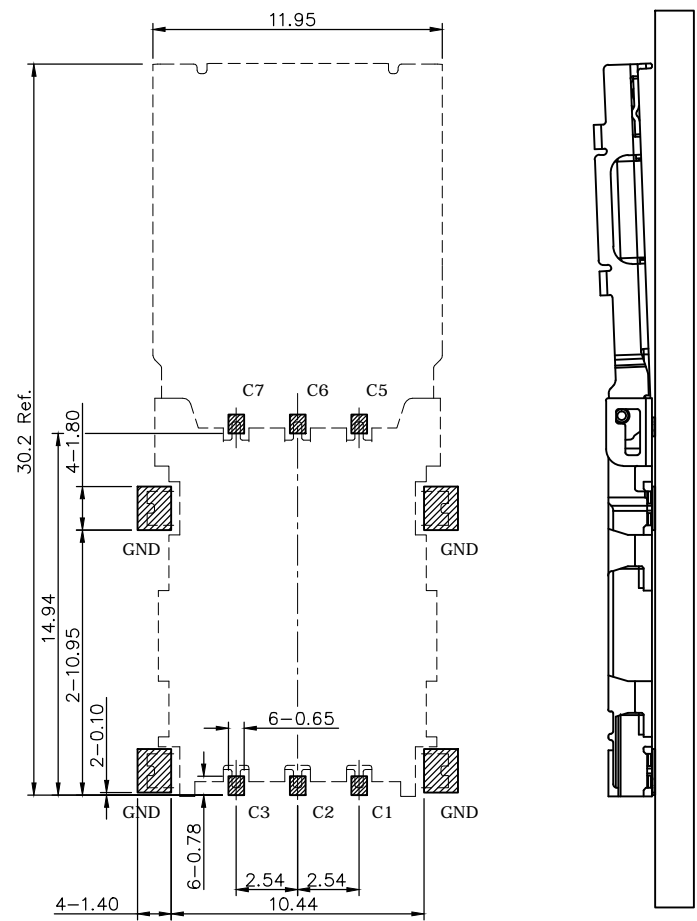
4	GROUND	Stainless Steel SUS304, 0.20t, Gold flash on solder area, under plating 50u" Nickel
3	SHELL	Stainless Steel SUS304, 0.2t
2	CONTACT	Copper alloy C5210-SH, 0.15t, 10u" Gold plating on contact area, Gold flash on solder area, under plating 50u" Nickel
1	INSULATOR	LCP, UL94V-0, Black

NO.		PART NAME	DESCRIPTION	
UNLESS OTHERWISE SPECIFIED TOLERANCE				
UNIT:	DECIMAL	LINEAR	ANGLES	
	mm	X, ±0.50	±5°	
		X.X, ±0.25	±3°	
		X.XX, ±0.12	±1°	
DRAWN	Fros	2019/05/20	DRAWN NAME: Nano SIM Socket Hinge Type 6 Pin 10u" Reel	
CHECKED	Tim	2019/05/20		
APPROVED	Ken	2019/05/20		PRODUCT NO. 115V-AD00
SCALE	2.5/1	SHEET 1/2		SIZE A4

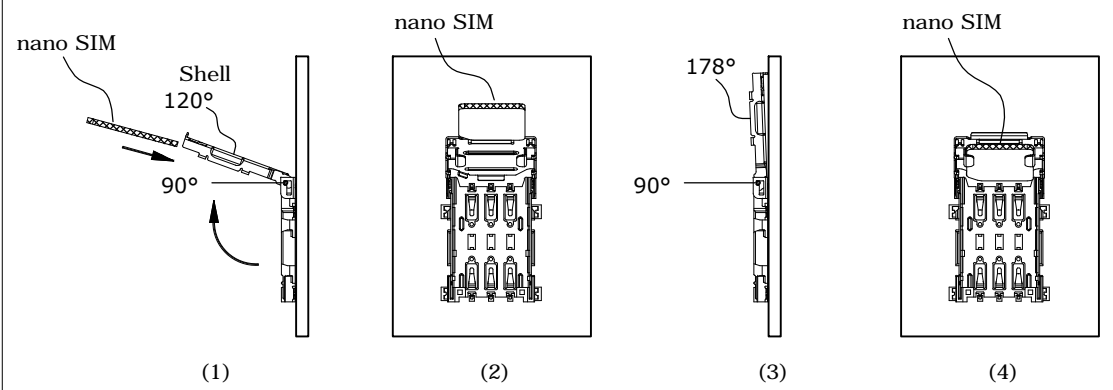


www.attend.com.tw

REV.	DESCRIPTION	DRAWN	DATE
	see sheet one		

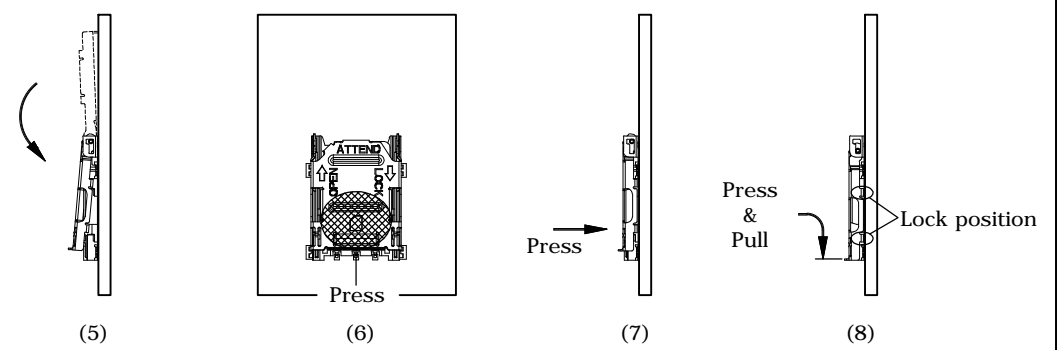


Recommended Layout (top view)  
General Tolerance:  $\pm 0.05\text{mm}$


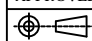


**Install a Nano SIM Card**

Lift up the shell between 90 to 120 degree angles (Pic. 1). This is an appropriate range to install a Nano SIM Card (Pic. 2). The shell can be fixed when it is lifted to over 90 degree angles. It will be more convenient for user to install a Nano SIM Card. On the other hand, user can find a proper angle to install the card till the shell is unfold (Pic. 3)



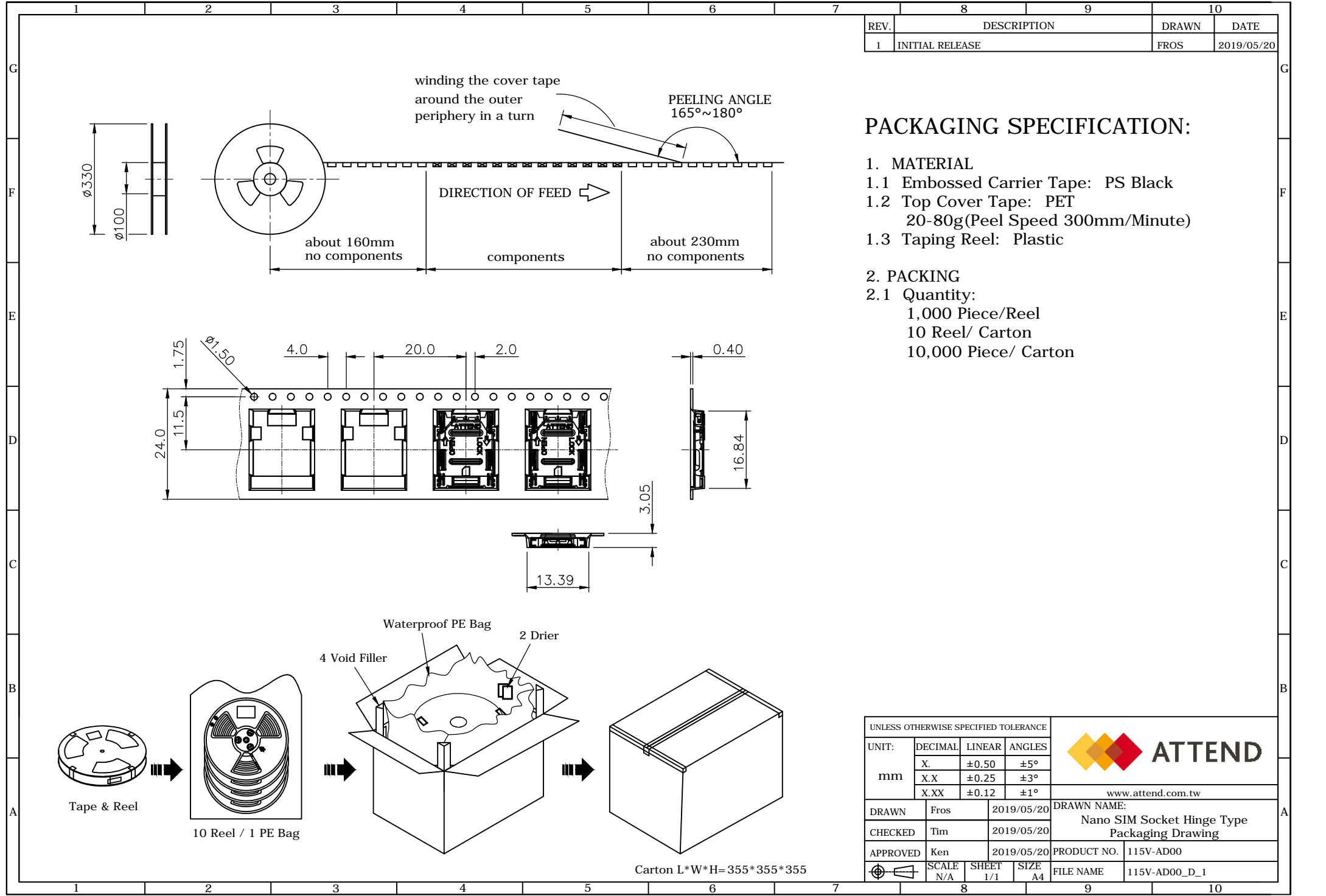
Close the shell to make it contact with the terminal (Pic. 5), when the card is installed into the slot (Pic. 4). Press the shell with a finger pulp (Pic. 6) till flat to the bottom (Pic. 7). In the meantime, pull the shell and make it slide to the lock position to fix it (Pic. 8).


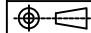
UNLESS OTHERWISE SPECIFIED TOLERANCE				 www.attend.com.tw
UNIT:	DECIMAL	LINEAR	ANGLES	
mm	X.	$\pm 0.50$	$\pm 5^\circ$	
	X.X	$\pm 0.25$	$\pm 3^\circ$	
	X.XX	$\pm 0.12$	$\pm 1^\circ$	
DRAWN	Fros	2019/05/20	DRAWN NAME:	
CHECKED	Tim	2019/05/20	Nano SIM Socket Hinge Type 6 Pin 10u" Reel	
APPROVED	Ken	2019/05/20	PRODUCT NO. 115V-AD00	
	SCALE N/A	SHEET 2/2	SIZE A4	FILE NAME 115V-AD00_B_1.1

REV.	DESCRIPTION	DRAWN	DATE
1	INITIAL RELEASE	FROS	2019/05/20

## PACKAGING SPECIFICATION:

1. MATERIAL
  - 1.1 Embossed Carrier Tape: PS Black
  - 1.2 Top Cover Tape: PET  
20-80g(Peel Speed 300mm/Minute)
  - 1.3 Taping Reel: Plastic
2. PACKING
  - 2.1 Quantity:
    - 1,000 Piece/Reel
    - 10 Reel/ Carton
    - 10,000 Piece/ Carton



UNLESS OTHERWISE SPECIFIED TOLERANCE					
UNIT:	DECIMAL	LINEAR	ANGLES		
mm	X.	$\pm 0.50$	$\pm 5^{\circ}$	www.attend.com.tw	
	X.X	$\pm 0.25$	$\pm 3^{\circ}$		
	X.XX	$\pm 0.12$	$\pm 1^{\circ}$		
DRAWN	Fros	2019/05/20	DRAWN NAME:		
CHECKED	Tim	2019/05/20	Nano SIM Socket Hinge Type Packaging Drawing		
APPROVED	Ken	2019/05/20	PRODUCT NO.	115V-AD00	
	SCALE N/A	SHEET 1/1	SIZE A4	FILE NAME	115V-AD00_D_1