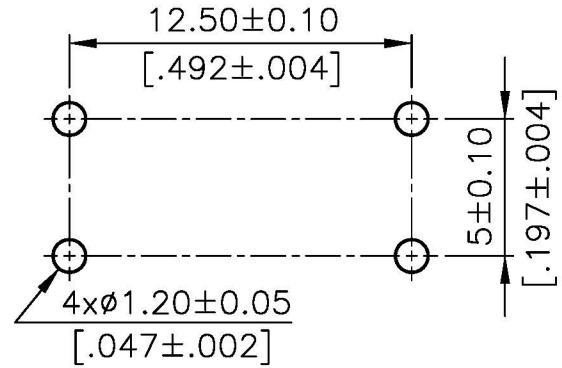
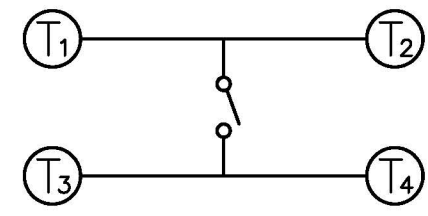


**NOTE:**

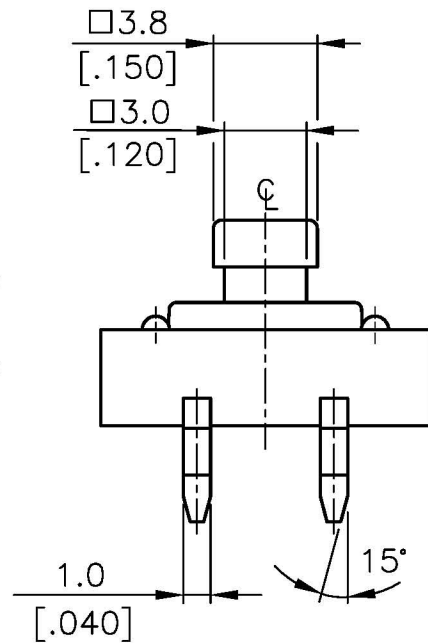
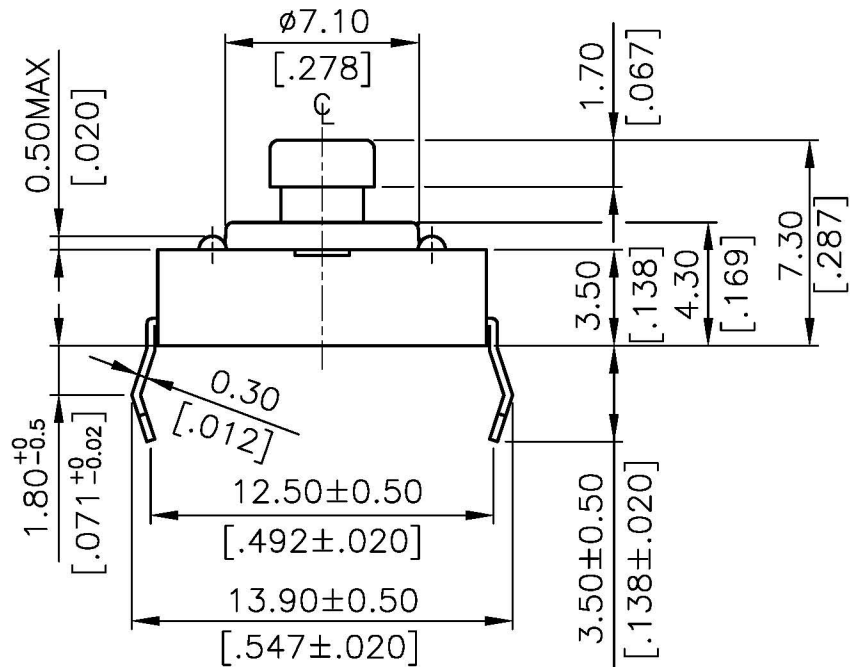
1. ALL DIMENSIONS ARE IN MILLIMETERS, BRACKETED DIMENSIONS ARE IN INCHES.
2. GENERAL TOLERANCES MAX. ±0.20mm.



**P.C.B. LAYOUT**



**CIRCUIT DIAGRAM**



△				
△				
△	A	DWG.REL.		
ZONE	REV	DESCRIPTION	DATE	APPD.

APPD:	Q'TY:	同利企業有限公司	PART NAME:
CHKD:	SCALE: 5 : 1	TELE LONG ENTERPRISE CO.,LTD.	TACTILE SWITCH 12X12
DR:	REV: A	DWG NO.	(MECHANICAL CONTACT TYPE)
DESIGN:	UNITS: mm	DTS-24□-(G)-V-TPS10-A1	ITEM NO.
			DTS-24□-(G)-V