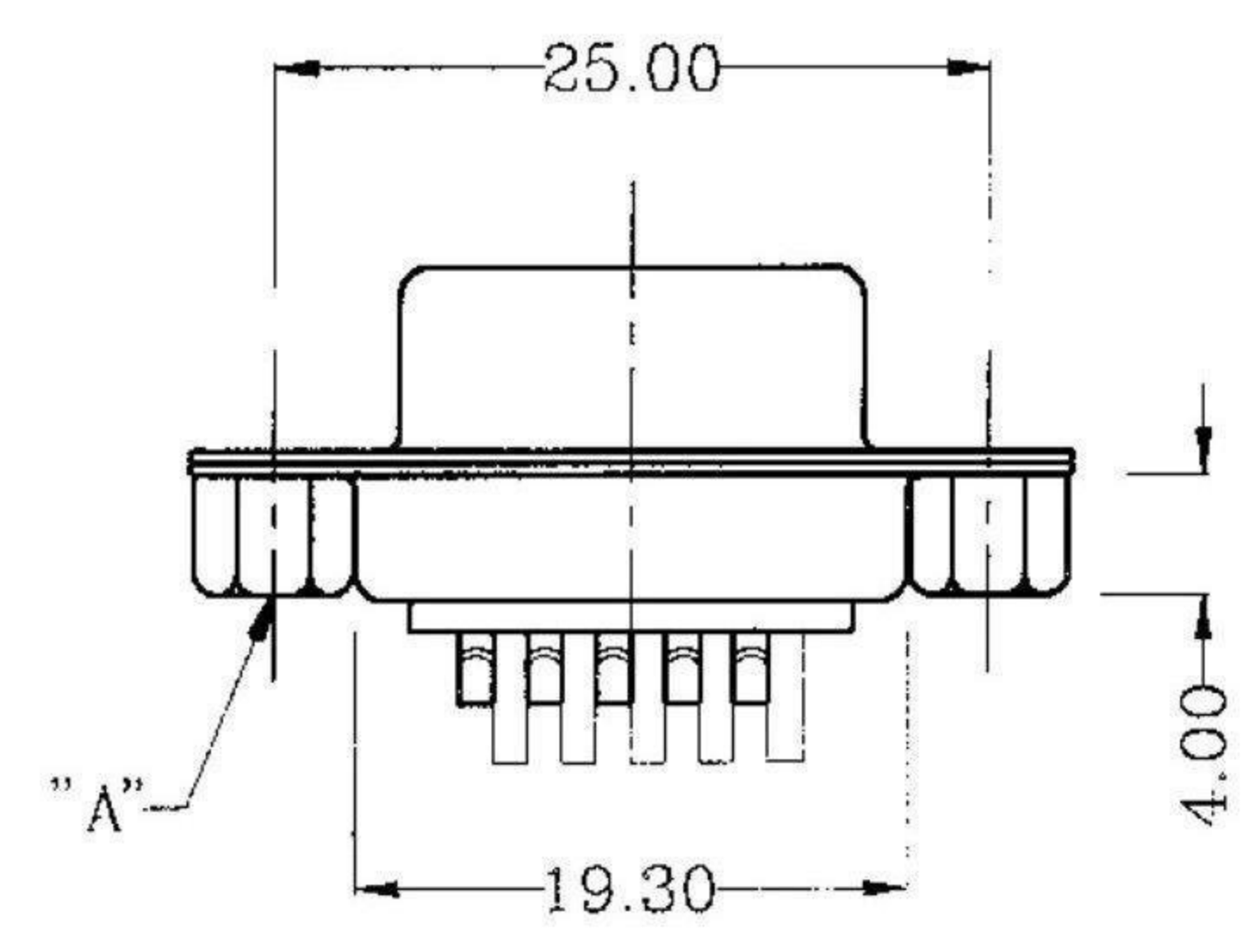
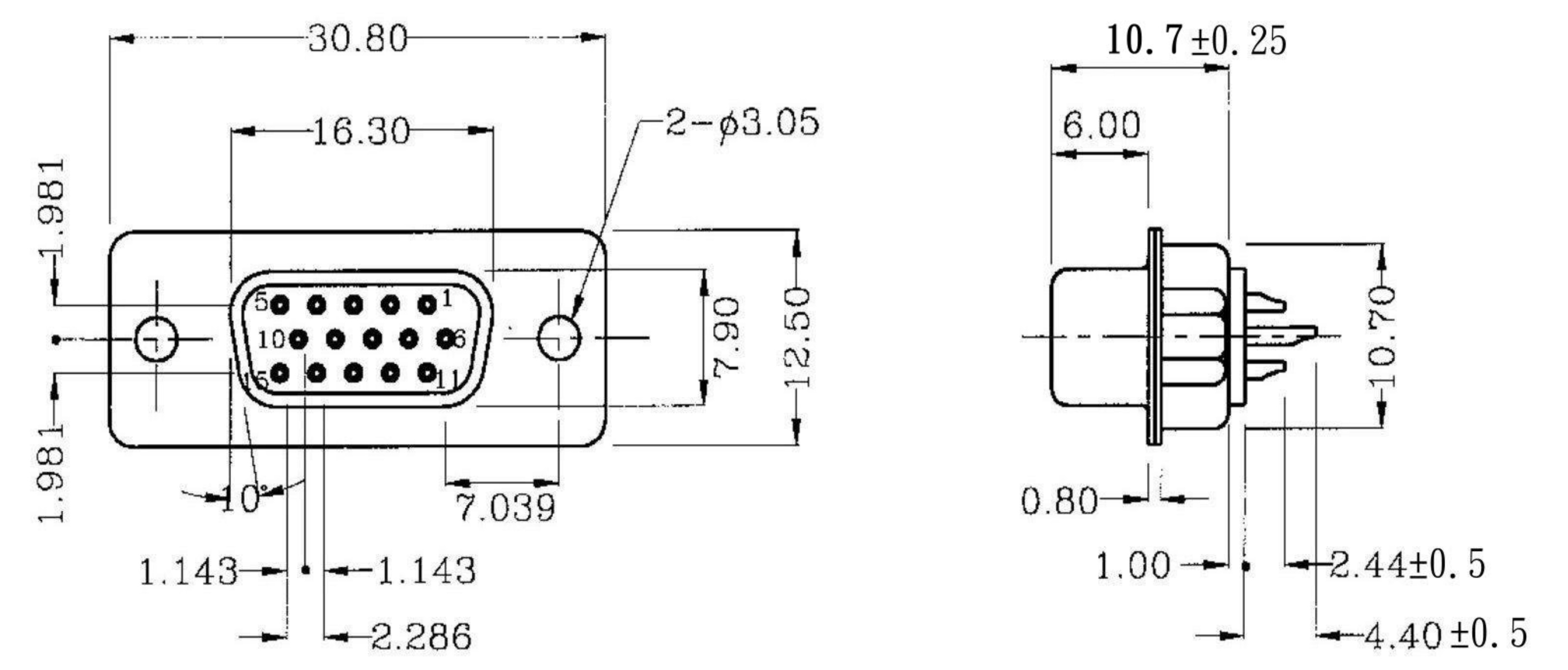


1 2 3 4 5 6 7 8

A  
B  
C  
D  
E  
F  
G  
H

**ELECTRICAL CHARACTERISTICS**  
 Contact Current Rating: 3Amperes.  
 Dielectric Withstanding Voltage: AC 500V at sea level.  
 Insulation Resistance: 1000Megohms Min.  
 Contact Resistance: 25Milliohms Max.  
 Operation Temperature: -55°C to +105°C.

**Material**  
 Contact :Copper Alloy.  
 Insulator:PBT.  
 Shell: SPCC.  
 Screw: Copper Alloy.



**C** **0560** — **XX** **F** **C** **E** **X** **X** **X** **R**

1 2 3 4 5 6 7 8 9 10

- |                                  |  |   |   |
|----------------------------------|--|---|---|
| 1.PRODUCTS:<br>C:Connector       | 5.MOUNTING OPTION:<br>C:3.8mm Open Hex Rivet | 7.SHELL PLATING:<br>T:Tin<br>N:Nickel<br>Z:Zinc(Chromatic)<br>A:Tin+Dimple<br>B:Nickel+Dimple | 8.CONTACT PLATING:<br>S>Selective Gold<br>G:Gold Flash<br>A:Gold 5U"<br>B:Gold 10U"<br>C:Gold 15U"<br>D:Gold 30U" |
| 2.SERIES NO.:<br>0560            | 6.ACCESSORIES:<br>E:Rear Rivet               | 9.OTHERS:<br>W:White Insulator<br>L:Blue Insulator<br>B:Black Insulator<br>G:Grey Insulator   | 10.ROHS LOW-LEAD  |
| 3.CONTACT NO.:<br>15,26,44,62,78 |  |   |   |
| 4.CONTACT TYPE:<br>F:Female      |  |   |   |

RoHS Compliant		HSM 玄茂科技股份有限公司 HSUAN MAO TECHNOLOGY CO., LTD.	
APPD. 核准 BETTY	SCALE 比例 参考	TOLERANCE 容許公差 .0 ±0.30 .00 ±0.25 ANG. ±2°	PART NAME 品名 H.D. D-SUB SOLDER TYPE STAMPED PIN XXP FEMALE REAR RIVET 3.8mm(4mm) OPEN HEX RIVET ROHS LOW-LEAD
DWG. 製圖 KAREN	UNIT 單位 MM	SIZE. 紙張尺寸 A4	PART NO. 料號 C0560-XXFCEXXXR
DATE 制表日 2011/11/23	PAGE 張數 1 OF 1	REV. 版次 B	

1 2 3 4 5 6 7 8