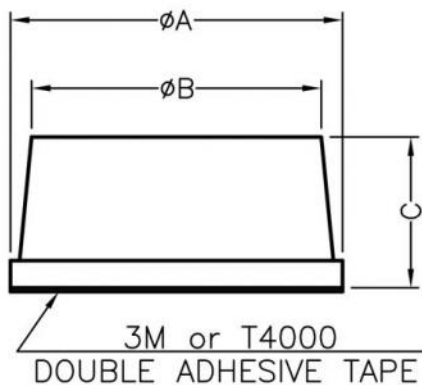


WEBSITE PHOTOS

⚠ This dwg is for reference only, Actual dwg should be based on formal engineering dwg issued by Kang Yang.



A	B	C
11.3	10.7	3.2

Height include adhesive tape , not include release paper.



ISO 9001
ISO 14001
QC 080000

康揚企業股份有限公司

KANG YANG HARDWARE ENTERPRISE CO., LTD.

康揚塑膠(東莞)有限公司

KANG YANG PLASTIC(DONG GUAN)CO.,LTD.

康哲電腦配件(吳江)有限公司

KANG CHE COMPUTER COMPONENTS(WUJIANG) CO.,LTD.

PART NUMBER		RF11-3.2A	SPEC. DWG.	
TITLE		RUBBER FOOT		
MATERIAL		EPDM	COLOR	BLACK
SIZE	SCALE	UNIT	CHECK	
A4	2:1	mm	Z.C	