

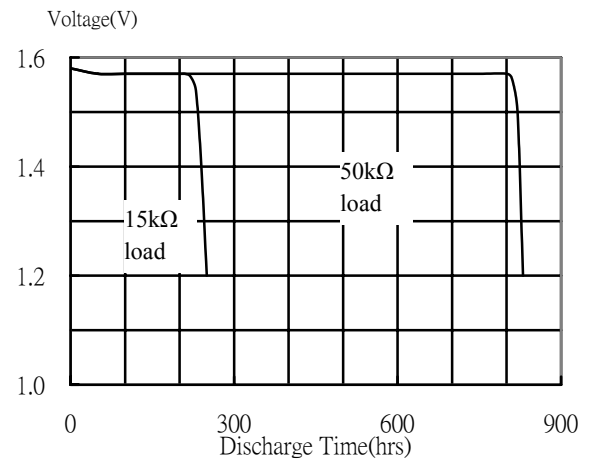
# GP Batteries

## Data Sheet

Model No.: GP377

Description	: Silver Oxide Low Drain Button Cell
Nominal Voltage	: 1.55Volts
Nominal Dimensions	: Ø6.80mm×2.60mm
Application	: Analog watch
Average Weight	: 0.40g
Date Code	: Unless otherwise specified, each cell Will carry a numeric year code and an alphabetical month code.
Shelf Life	: Not less than 90% of the service capacity within first year. , not less than 85% of the service capacity with third year storage at 22 ± 3 °C 40-80 %RH.
Close Circuit Voltage	: 1.25 Volts (min.)(load resistor 200Ω at 22 ± 3 °C for 0.1 to 2 seconds)
Nominal Service Life	: 800hrs (at 50kΩ load) (to 1.2V at 22 ± 3 °C) 200days (at 300kΩ load)
Average Service Capacity	: 25mAh(at 50kΩ load) (to 1.2V at 22 ± 3 °C)

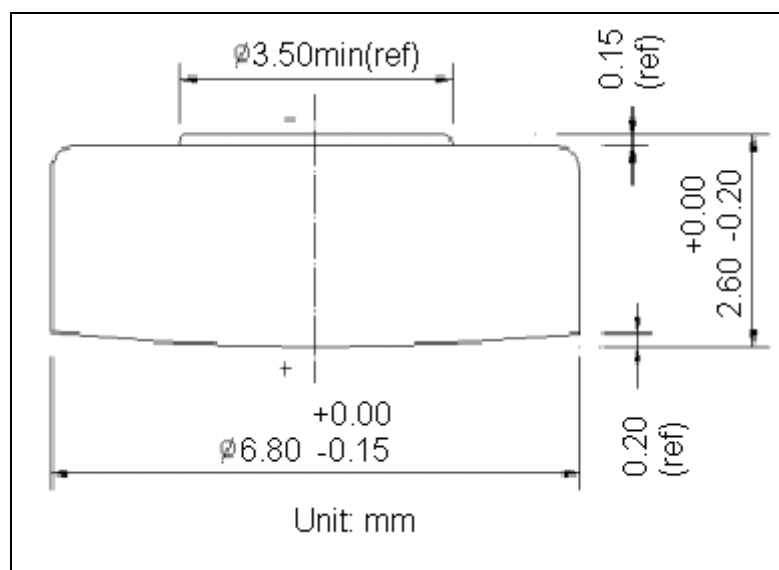
### Typical Discharge characteristics at 22 ± 3°C



### Cross References:

IEC JIS Eveready Varta Duracell Panasonic Sony

SR66 SR626W 377 V377 D377 SP377 SR626SW



\* The information (subject to change without prior notice) contained in this document is for reference only and should not be used as a basis for product guarantee or warranty. For applications other than those described here, please consult your nearest GP Sales and Marketing Office or Distributors.

