

SPECIFICATION SHEET

規 格 圖 面

提出年月日 Date of application

2005 06 11

(year) (month) (date)

CUSTOMER (客戶) : FC BELLATRONIX

品名

Description : **FERRITE DRUM CORE**

顧客品番

CUST. Part Number :

CEC 品番

CEC Part Number : **M030901200AFX**

規格圖面提出區分 CLASSIFICATION OF SPEC.PRESENTATION. (Tick the relevant box "√")

- 新規 New application
 新規部品追記 New part(s) is added to accepted specification
 既存規格圖變更 Revision of accepted specification

備考 Note

蓋上確認印後,請返卻一份給我公司. Please send us the specification with acceptance stamp.

客戶受領印 (ACCEPTANCE STAMP)



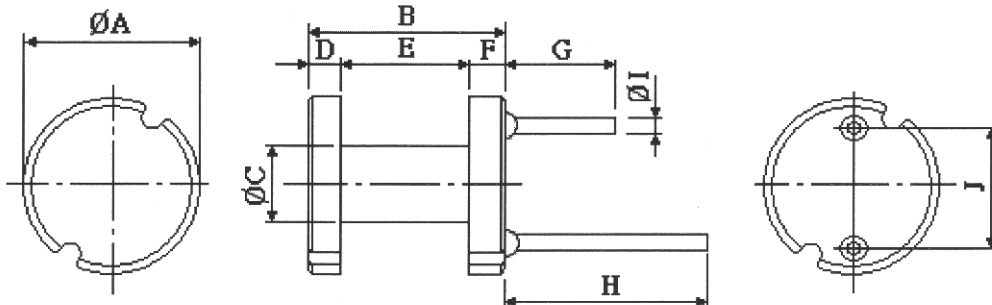
高雅線圈製品有限公司
COILS ELECTRONIC CO., LTD.

承認 APPROVAL	審查 CHECK	作成 PREPARE

SPECIFICATION

CUSTOMER : FC BELLATRONIX	APPROVED BY
CUS. PART NO. :	
COILS PART NO. : M030901200AFX	
DATE : 2005/06/11	

1. APPEARANCE .



2. DIMENSIONS (UNIT: mm)

Items	Ø A	B	Ø C	D	E
Specification	9.00±0.20	12.00±0.30	4.00±0.15	2.50±0.15	7.00±0.20
Items	F	G	H	Ø I	J
Specification	2.50±0.15	10.00 Min.	15.00 Min.	0.80±0.05	5.00±0.50

3. MATERIAL

Material Name	EL6E	Part Name	EL6E DR2W 9×12 RD31 Ø4-7
Initial Permeability μ_i	1200 ± 25%		

4. ELECTRICAL PROPERTIES

Items	Specification	Test Frequency	Test coil	Test equipment
L	435 μ H±10%	796kHz/1V	Ø0.30mm(2UEW) 100½Ts	HP-4284A or equivalent
Q	25 Min.			

PROVAL	CHECK	DESIGN	REVISION
