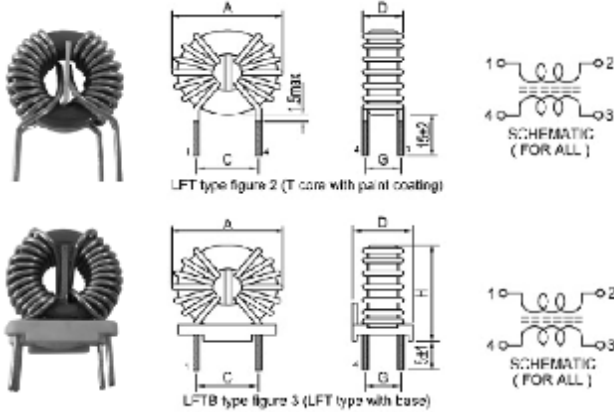




I LFT/LFTB series

Shape and Dimensions(unit:mm) :



Electrical characteristics:

3L P/N	A max	B max	C	G	Figure
LFT1206	16.0	10.0	10 typ	8 typ	Figure 2
LFT1608	20.0	12.0	13 typ	10 typ	
LFT2208	27.0	12.5	13 typ	10 typ	
LFT2513	30.0	18.0	20 typ	15 typ	
LFT3113	37.0	19.0	20 typ	15 typ	
LFT3715	43.0	21.0	25 typ	18 typ	Figure 3
LFTB1206	17.5	14.5	10.0±1	8.0±1	
LFTB1608	23.0	15.0	15.0±1	10.0±1	
LFTB2208	30.0	16.0	20.3±1	10.2±1	
LFTB2513	34.0	21.0	23.0±1	15.2±1	
LFTB3113	40.0	21.0	23.0±1	15.2±1	
IFTB3715	45.0	24.0	30.5±1	17.8±1	

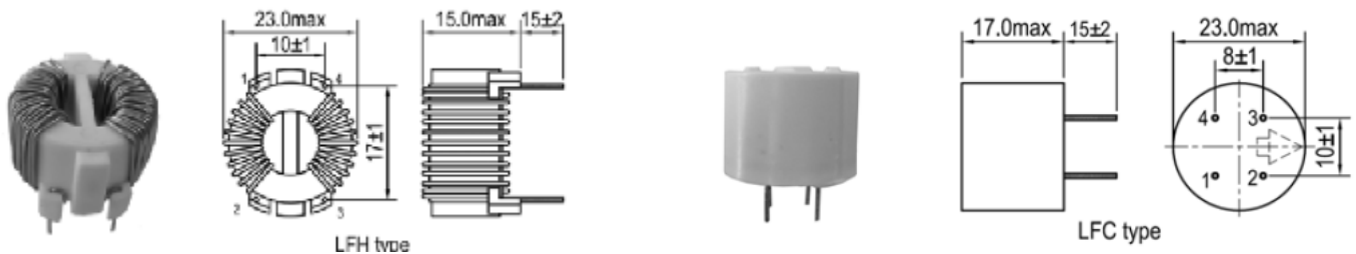
Electrical characteristics:

Part No.	L (mH) Min.	Rated Current (Amp.)	DCR (mΩ) Max.	
LFT2208-	601U - 8A	0.60	8	9.1
	102U - 6A	1.00	6	15
	202U - 6A	2.0	6	25
	302U - 5A	3.0	5	35
	502U - 4A	5.0	4	45
	103U - 3A	10.0	3	85
LFT2513-	201U - 15A	0.2	15	5
	601U - 8A	0.6	8	15
	102U - 5A	1.0	5	25
	152U - 5A	1.5	3	30
	302U - 5A	3.0	5	35
	502U - 3A	5.0	3	70

Part No.	L (mH) Min.	Rated Current (Amp.)	DCR (mΩ) Max.	
LFT3113-	601U - 15A	0.6	15	7
	102U - 10A	1.0	10	20
	302U - 6A	3.0	6	90
	502U - 5A	5.0	5	100
	103U - 3A	10	3	180
LFT3715-	102U - 15A	1.0	15	8
	332U - 15A	3.3	15	10
	502U - 15A	5.0	15	15
	103U - 10A	10	10	28
	153U - 10A	15	10	33

I LFH/LFC series

Shape and Dimensions(unit:mm) :



Electrical characteristics :

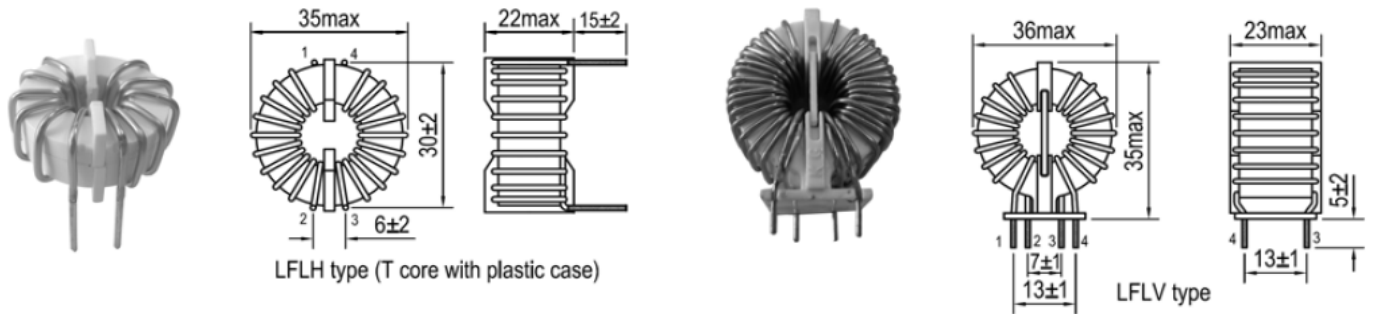
Part No.	L (mH) Min.	Rated Current (Amp.)	DCR (mΩ) Max.	
LFH-	102U- 2A	1.0	2	80
	202U- 2A	2.0	2	110
	302U- 2A	3.0	2	150
	502U- 1A	5.0	1	200
	802U- 1A	8.0	1	230
	103U- 1A	10	1	260

Part No.	L (mH) Min.	Rated Current (Amp.)	DCR (mΩ) Max.	
LFC-	301U- 2A	0.3	2	60
	601U- 2A	0.6	2	80
	102U- 2A	1.0	2	100
	152U- 2A	1.5	2	105
	202U- 2A	2.0	2	150
	302U- 2A	3.0	2	180
	552U- 2A	5.5	2	200



I LFLH/LFLV series

Shape and Dimensions(unit:mm) :



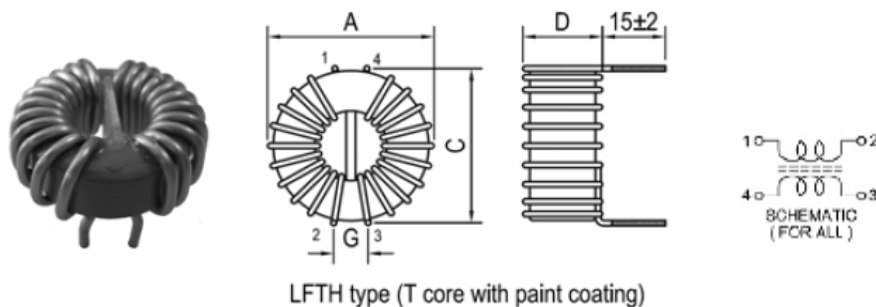
Electrical characteristics :

Part No.		L (mH) Min.	Rated Current (Amp.)	DCR (mΩ) Max.
LFLH-	151U- 12A	0.15	12	8
	301U- 9A	0.3	9	15
	601U- 9A	0.6	9	20
	102U- 3A	1.0	3	50
	302U- 3A	3.0	3	80

Part No.		L (mH) Min.	Rated Current (Amp.)	DCR (mΩ) Max.
LFLV-	152U - 3A	1.5	3	45
	502U - 3A	5.0	3	70
	102U - 5A	1.0	5	25
	302U - 5A	3.0	5	35
	601U - 8A	0.6	8	15
	201U - 15A	0.2	15	5

I LFTH series

Shape and Dimensions(unit:mm) :



LFTH type (T core with paint coating)

3L P/N	A max	B max	C	G
LFTH2208	27.0	13.0	24.0typ	6.0typ
LFTH2508	30.0	13.0	27.0typ	6.0typ

Electrical characteristics:

Part No.		L (mH) Min.	Rated Current (Amp.)	DCR (mΩ) Max.
LFTH2208	601U - 8A	0.6	8	9.1
	102U - 6A	1.0	6	15
	202U - 6A	2.0	6	25
	302U - 5A	3.0	5	35
	502U - 4A	5.0	4	45
	103U - 3A	10	3	85

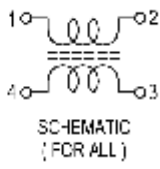
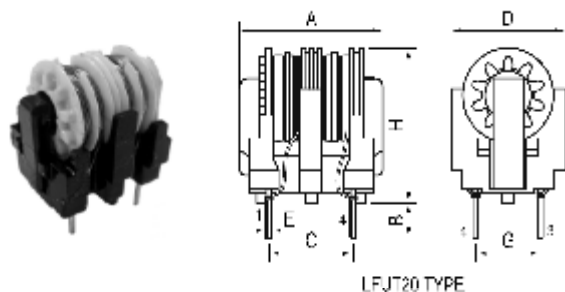
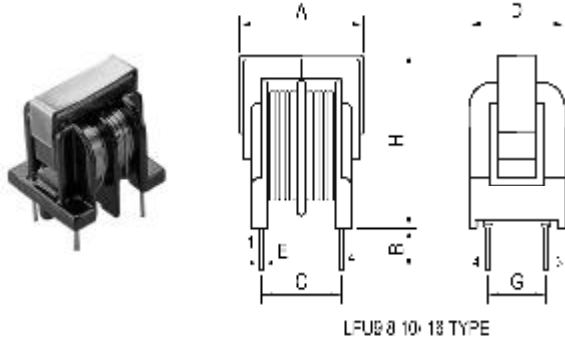
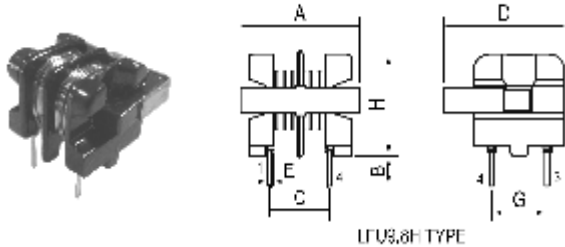
Part No.		L (mH) Min.	Rated Current (Amp.)	DCR (mΩ) Max.
LFTH2508	151U- 12A	0.15	12	8
	301U- 9A	0.3	9	15
	601U- 9A	0.6	9	20
	102U- 3A	1.0	3	50
	302U- 3A	3.0	3	80

* Due to the limited space, the catalogue shows the typical specifications only. For more specific details (characteristics graph, reliability, and others), kindly invite you to access 3L official website www.3lcoil.com for better known.



I LFU9.8/LFU10/LFU16/LFUT20 series

Shape and Dimensions(unit:mm) :



3L PN	A max	B ±1.0	C ±0.5	D max	E ±0.05	G ±0.5	H max
LFU9.8	17.0	4.0	8.0	12.0	0.60	7.0	17.0
LFU9.8H	17.0	4.0	8.0	16.0	0.60	7.0	13.0
LFU10	19.0	4.0	13.0	17.0	0.70	10.0	22.0
LFU16	25.0	4.0	13.0	19.5	0.70	10.0	27.5
LFUT20	22.0	4.0	13.0	17.5	0.80	10.0	23.5

Electrical characteristics :

Part No.	L (mH)	Rated Current (Amp.)	DCR (Ω)	
			Min.	Max.
LFU9.8 LFU9.8H	103U- 0.1A	10	0.1	8.0
	802U- 0.2A	8.0	0.2	6.0
	502U- 0.2A	5.0	0.2	4.5
	502U- 0.3A	5.0	0.3	3.5
	202U- 0.5A	2.0	0.5	1.0
	501U- 1A	0.5	1.0	0.3
LFU10-	103U- 0.3A	10.0	0.3	3.0
	502U- 0.3A	5.0	0.3	2.0
	502U- 0.5A	5.0	0.5	1.5
	402U- 0.7A	4.0	0.7	1.0
	302U- 1A	3.0	1.0	0.5
	202U- 1A	2.0	1.0	0.5
	102U- 1A	1.0	1.0	0.4
	102U- 1.3A	1.0	1.3	0.3
	102U- 1.5A	1.0	1.5	0.2
	601U- 2A	0.6	2.0	0.2
LFU16-	303U- 0.4A	30	0.4	2.8
	203U- 0.4A	20	0.4	2.2
	203U- 0.5A	20	0.5	1.6
	103U- 0.6A	10	0.6	1.2
	802U- 0.8A	8.0	0.8	0.8
	602U- 0.8A	6.0	0.8	0.7
	602U- 1A	6.0	1.0	0.5
	402U- 1A	4.0	1.0	0.4
	352U- 1.2A	3.5	1.2	0.3
	252U- 1.2A	2.5	1.2	0.25
	152U- 1.5A	1.5	1.5	0.15
LFUT20-	333U- 0.3A	33	0.3	2.50
	223U- 0.4A	22	0.4	1.70
	153U- 0.5A	15	0.5	1.20
	103U- 0.7A	10	0.7	0.75
	682U- 0.8A	6.8	0.8	0.53
	472U- 1A	4.7	1.0	0.38
	332U- 1A	3.3	1.0	0.31
	222U- 1.2A	2.2	1.2	0.18
	152U- 1.5A	1.5	1.5	0.14
	751U- 1.8A	0.75	1.8	0.12

* Due to the limited space, the catalogue shows the typical specifications only. For more specific details (characteristics graph, reliability, and others), kindly invite you to access 3L official website www.3lcoil.com for better known.