



Lighting  
LED TECHNOLOGY

## DATA SHEET FOR 10" LED DISPLAY

PART NO:

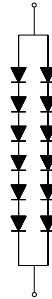
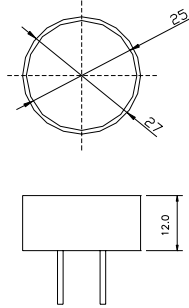
GNS-100011BD

EMITTED COLOR:

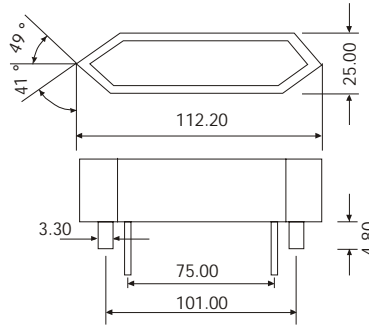
HIGH RED

INTERNAL CIRCUIT DIAGRAM:

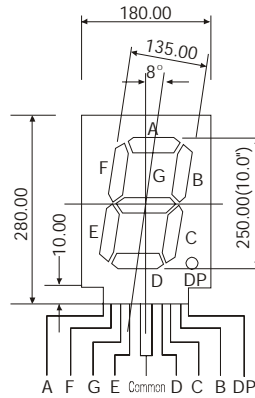
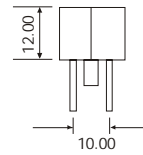
**DP**



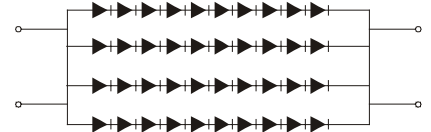
PACKAGE DIMENSIONS:



Mark ⊕ Verticality  
○ Horizontal



**Segment**



ABSOLUTE MAXIMUM RATING OF EACH SEGMENT ( Ta=25 )

PARAMETER	SYMBOL	MAXIMUM RATING	UNITS
Power Dissipation	$P_M$	1500	Mw
Continuous Forward Current	$I_F$	80	mA
Reverse Voltage	$V_R$	5	V
Operating Temperature Range	$T_{opr}$	-20 ~ 70	
Storage Temperature Range	$T_{stg}$	-20 ~ 85	

ELECTRON-OPTICAL CHARACTERISTICS OF EACH SEGMENT: ( Ta=25 )

PAPAMETER	SYMBOL	MIN.	TYP.	MAX.	UNIT	TEST CONDITION
Luminous Intensity	$I_V$	60	80		mcd	$I_F=60mA$
Forward Voltage	$V_F$		20	25	V	$I_F=60mA$
Reverse Current	$I_R$			50	uA	$V_R=5V$
Peak Emission Wavelength	$\lambda_p$		652		nm	$I_F=60mA$