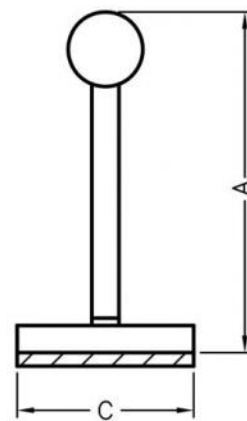
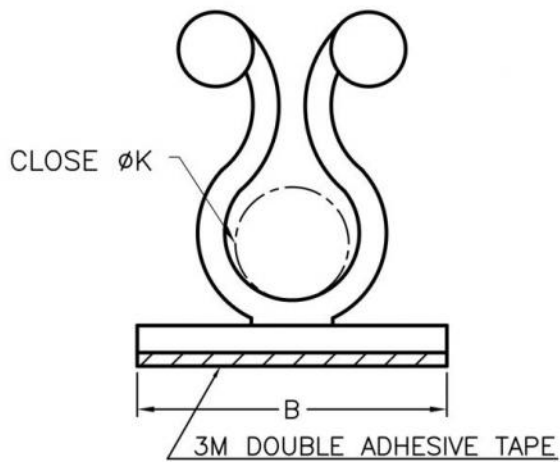


WEBSITE PHOTOS

⚠ This dwg is for reference only, Actual dwg should be based on formal engineering dwg issued by Kang Yang.



A	B	C	K
21.9	20.0	13.0	7.2

- 1.It is normal if it is shrinking.
- 2.All measurement does not include gate which raises under 0.3mm.
- 3.The adhesive tape is cut by hand ,it is normal if there is a not unified edge.
- 4.The Height is not include the releasing paper and adhesive tape ' s thickness.
- 5.Please peel off the paper from backing backing lightly to avoid tear off the coating and make bubbling.



康揚企業股份有限公司
 KANG YANG HARDWARE ENTERPRISE CO., LTD.
 康揚塑膠(東莞)有限公司
 KANG YANG PLASTIC(DONG GUAN)CO.,LTD.
 康哲電腦配件(吳江)有限公司
 KANG CHE COMPUTER COMPONENTS(WUJIANG) CO.,LTD.

PART NUMBER		KL-7	SPEC. DWG.	
TITLE				
WIRE HOLDER				
MATERIAL		NYLON 66(UL) 94V-2	COLOR	
			NATURAL	
SIZE	SCALE	UNIT	CHECK	
A4	2:1	mm	Z.C	