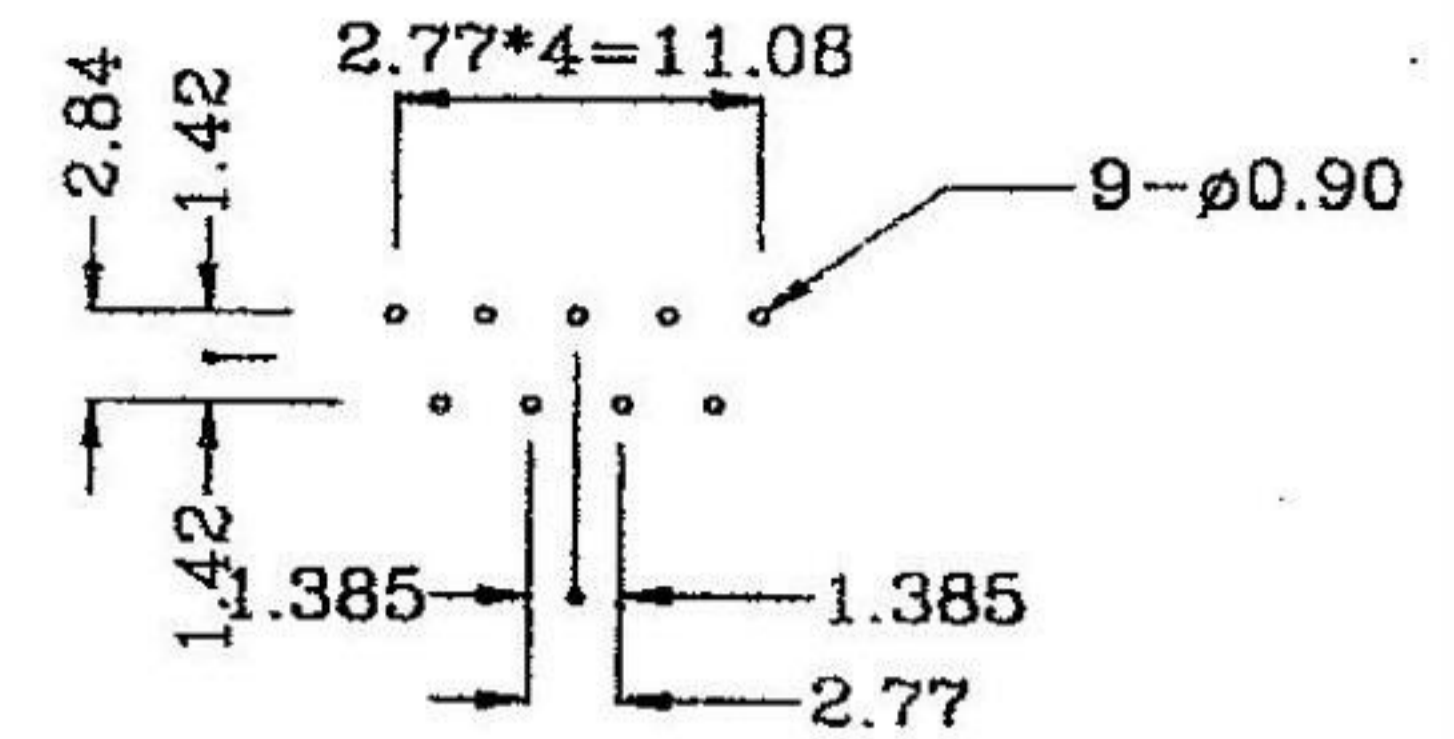
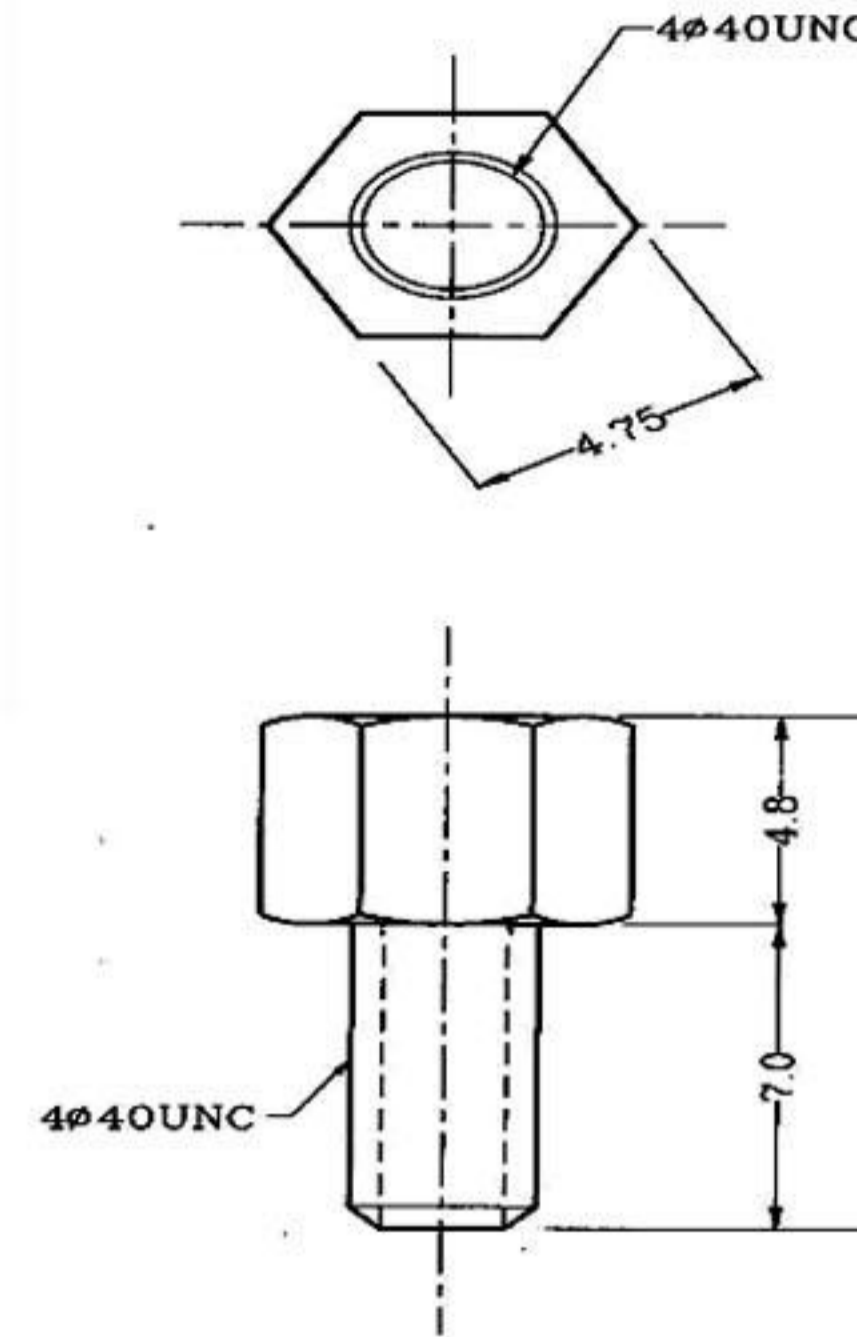
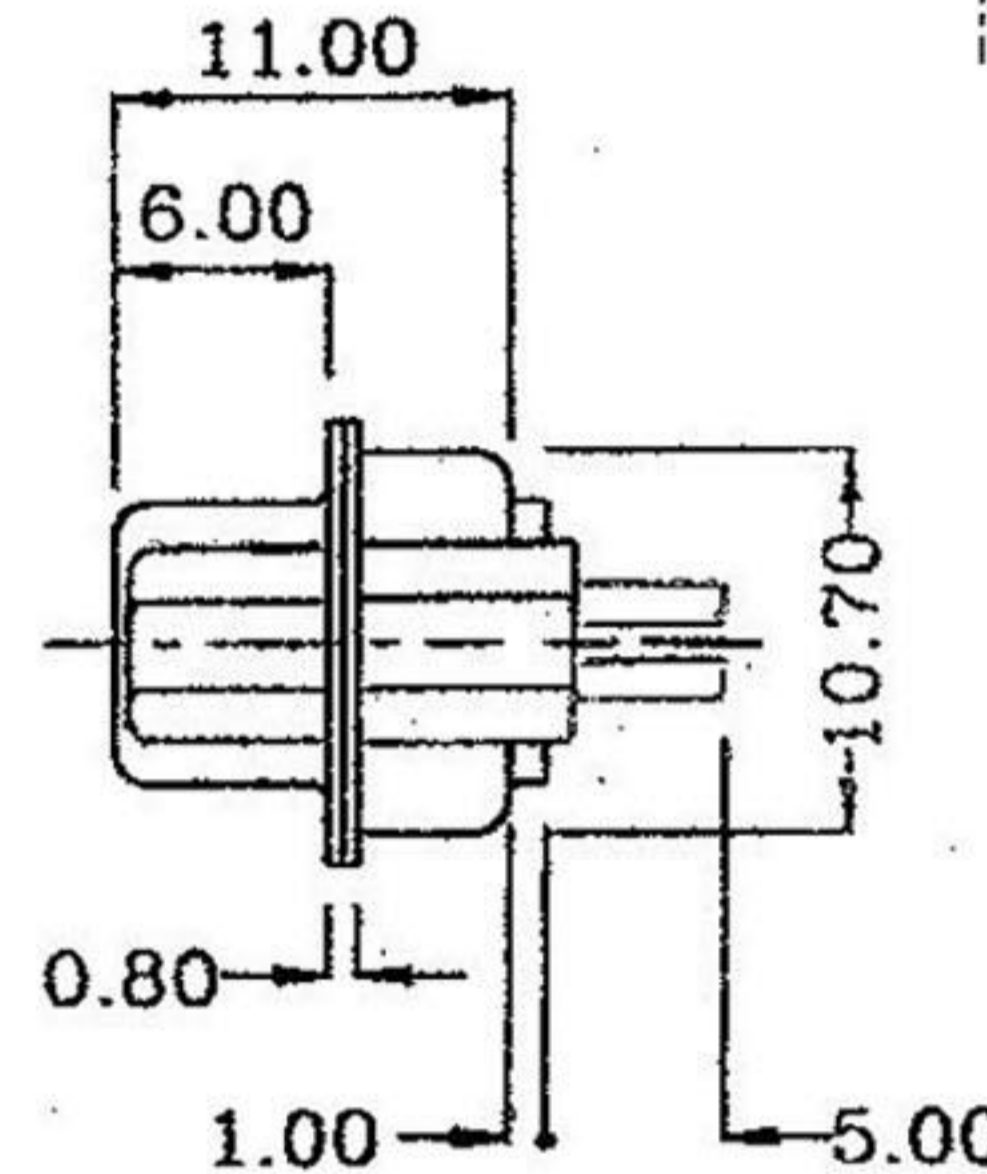
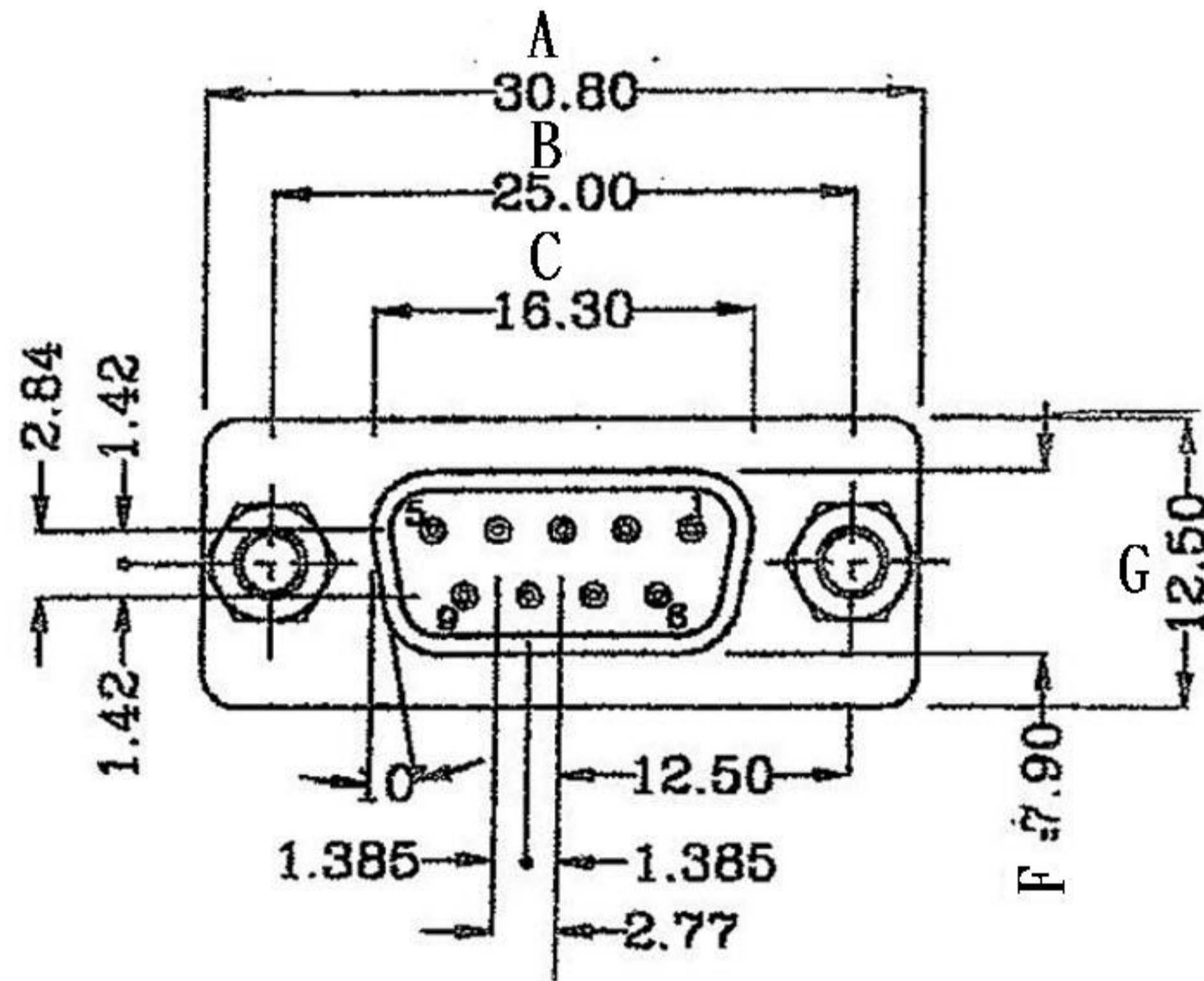


	A±0.13	B±0.10	C±0.15	D ^{+0.10} _{-0.05}	E±0.10	F±0.10	G±0.10	H±0.10
9	30.80	25.00	16.30	14.60	6.30	7.90	12.50	6.20
15	39.20	33.30	24.60	23.20	6.30	7.90	12.50	6.20
25	53.05	47.05	38.30	36.60	6.30	7.90	12.50	6.20
37	69.40	63.50	54.80	53.30	6.30	7.90	12.50	6.20
50	67.00	61.00	52.20	50.70	6.30	10.90	15.30	6.40



P.C BOARD LAYOUT

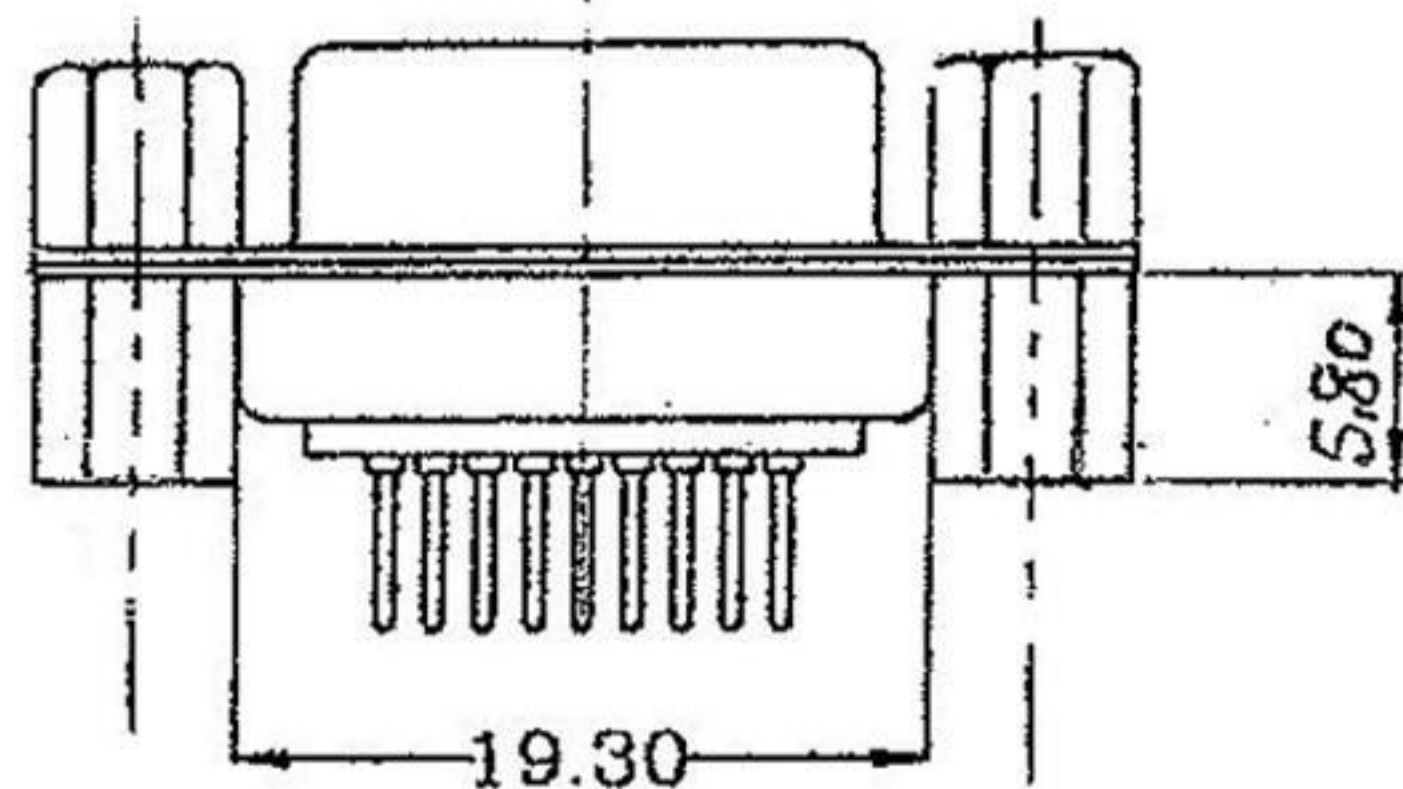


Electrical

- Contact Resistance : 20 milliohms Max at 1 AMP DC.
- Insulation Resistance : 1000 magohms at 500 VDC
- Dielectric Withstanding Voltage : 1000 VAC/rms 60Hz for 1 minute
- Current Rating : 3 AMP
- Volatge Rating : 250 VAC/rms 60Hz

Material

- Insulator : Glass-Filled Thermoplastic PBT,UL94V-0 rated
- Contact : Brass
- Shell : Steel, refer to ordering information for plating
- Clinch Nut : Brass, 100u" min Nickel Plated.
- Screwlock : Brass, 100u" min Nickel Plated.



RoHS Compliant		HSM 玄茂科技股份有限公司 HSUAN MAO TECHNOLOGY CO., LTD.	
APPD. 核准	SCALE 比例 参考	TOLERANCE 容許公差 .0 ± 0.25 .00 ± ANG. ±	PART NAME 品名
DWG. 製圖 Helen	UNIT 單位 MM	SIZE 紙張尺寸 A4	D-SUB PCB STRAIGHT STAMPED PIN XFP FEMALE 5.8mm OPEN HEX RIVET REAR RIVET FIX SCREWS (TIN or Nickel SHEL)ROHS
DATE 制表日 2012/9/4	PAGE 張數 1 OF 1	REV. 版本 A	PART NO. 料號 C0541-XXFDG(T, N)XXR