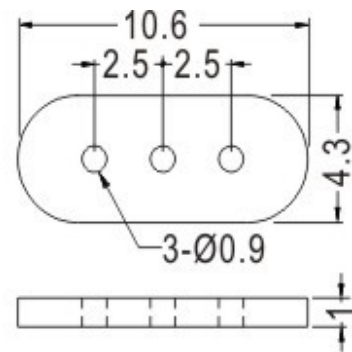


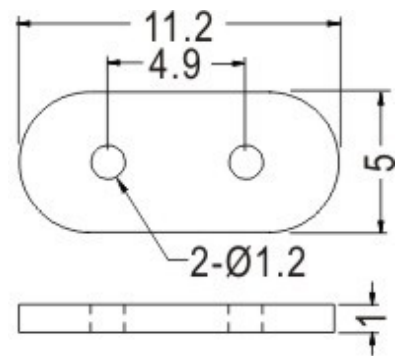
FIX
Fasten

- ◆ MATERIAL: NYLON 66 (UL)
- ◆ FLAME CLASS: 94V-2
- ◆ COLOR: NATURAL
- ◆ UNIT: mm

PART NO	PACKAGE
QW-1	2000



PART NO	PACKAGE
QW-3	2000



PART NO	PACKAGE
QW-6	2000

