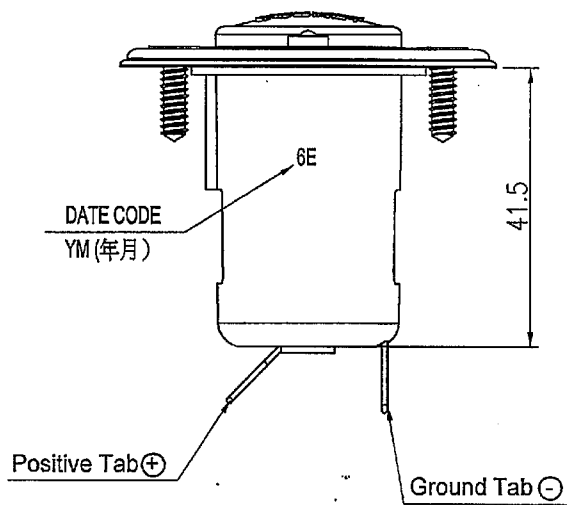
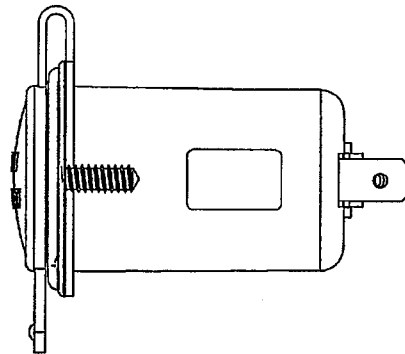
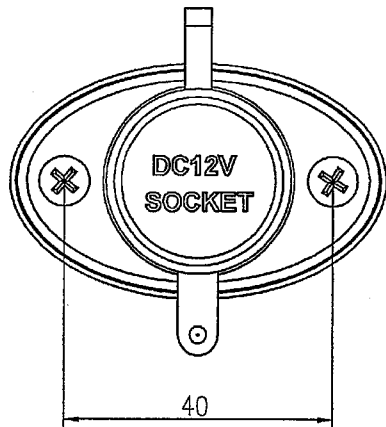


Rating	13.6VDC 20A max.	<p style="text-align: center;">Mounting Hole</p>
Insulation Resistance	DC 500V 100M ohm Min.	
Dielectric Strength	AC 1500V 1 minute	
Operation Temperature	0° ~60°C	
Fuse	With 20A MGC Fuse	



- This socket to fit with ø21 plugs.
- Dust cover protection.
- Wire Rating 12Awg .

04/20/15	劉嘉麗	本體增加DATE CODE。			▲	
02/25/05	陳麗華	C1/PDM/A13/A13-106/A13-106			▲	
Date	Name	Description			No.	
Drawn	Checked	Approved	SCI BOM No.	1250363	Model Name	Lighter Socket
劉嘉麗	叶志伟	<i>Simoc</i>	Customer No.		Model No.	A13-106
05/09/16	5/9-16	5/10-16	Unit	mm	Shin Chin Industrial Co., Ltd.	Rev. 2

1250363 . 1250508 . 1250762