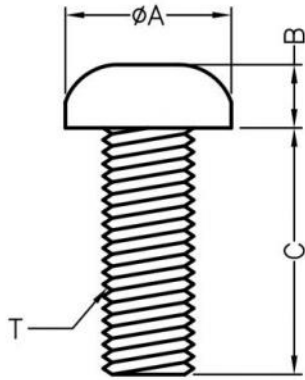


WEBSITE PHOTOS

⚠ This dwg is for reference only, Actual dwg should be based on formal engineering dwg issued by Kang Yang.



A	B	C	T
5.5	2.1	10.0	M3.5X0.5P

T	THREAD
---	--------


康揚企業股份有限公司
 KANG YANG HARDWARE ENTERPRISE CO., LTD.
康揚塑膠(東莞)有限公司
 KANG YANG PLASTIC(DONG GUAN) CO., LTD.
康哲電腦配件(吳江)有限公司
 KANG CHE COMPUTER COMPONENTS(WUJIANG) CO., LTD.

PART NUMBER		M3-10	SPEC. DWG.	
TITLE				
SCREW				
MATERIAL			COLOR	
NYLON 66(UL) 94V-2			NATURAL	
SIZE	SCALE	UNIT	CHECK	
A4	2:1	mm	Z.C	