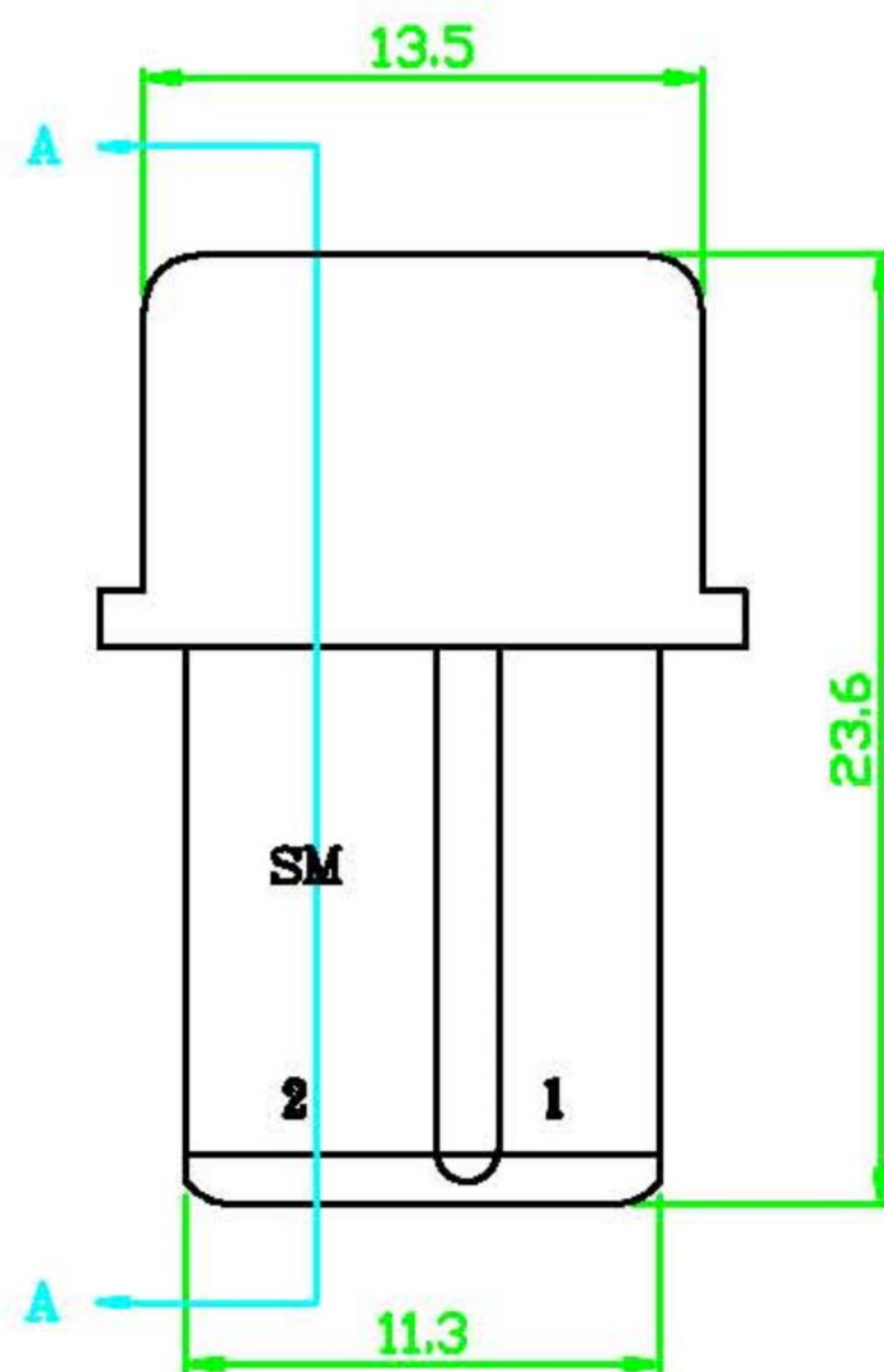


A-A



Specifications:

- Poles: 2 Poles
- Pitch Between Poles: 5.08mm
- Current Rating: 5A
- Voltage Rating: 250V AC, DC
- Temperature Range: -25°C+85°C
- Contact Resistance: Initial value/10mΩ max
After environmental testing/20mΩ
- Withstand Voltage: 1500V AC/minute
- Insulation Resistance: 1000 MΩ/min
- Material: Nylon UL94V-2

RoHS Compliant		HSM 玄茂科技股份有限公司 HSUAN MAO TECHNOLOGY CO., LTD.	
APPD. 核准 HELEN	TOLERANCE 容許公差 .000 ±0.08 .00 ±0.13 .0 ±0.25	PART NAME 品名 5.08mm FEMALE HOUSING 2P WHITE INSULATOR ROHS	
DWG. 製圖 ABBY	SCALE 比例 參考	UNIT 單位 MM	SIZE. 紙張尺寸 A4
DATE 制表日 2011/12/06	PAGE 張數 1 OF 1	REV. 版次 A	PART NO. 料號 H2440-02PW0000R