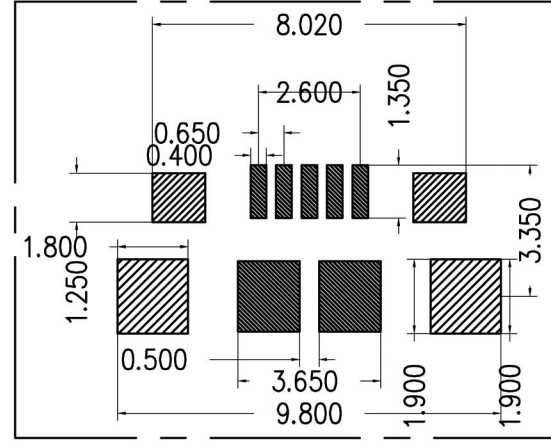
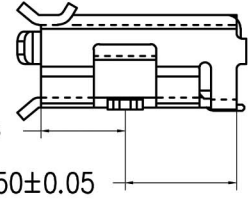
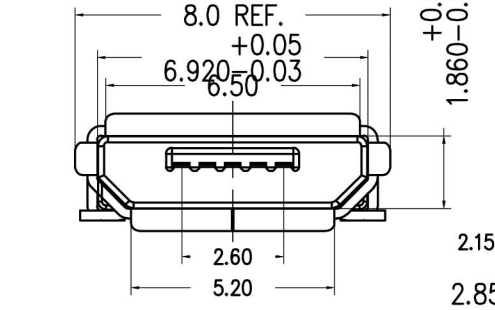
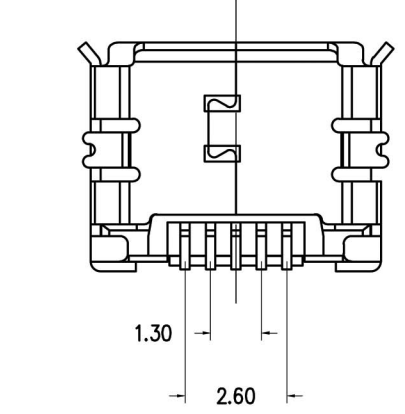


+0.05
-0.02



PCB LAYOUT



Specifications:

Electrical:

1. Current Rating: 1.0A/contact terminal
2. Voltage Rating: 30V DC
3. Contact Resistance: 50 milliohms MAX
4. Dielectric Withstanding Voltage: 300 V AC AT Sea Level
5. Insulation Resistance: 100MEGA ohms MIN

Mechanical:

1. Connector Mate and Unmate Force:
Mate force: 3.0kgf (MAX)
Unmate force: 0.7kgf (MIN)
2. Terminal Retention: 0.5kgf (MIN)

Material:

1. Housing: High Temperature Thermoplastics, Lcp
2. Contact: Copper Alloy C2680
3. Shell: C2680

Finish:

1. Contact: Plated Gold in Mating Area; Tin On Solder Tails
2. Shell: Shell: Nickel Plating

P/N	PART NAME	MATERIAL	PLATING OR COLOR	Q'TY
1	MICRO CONTACT	BRASS (C2680 EH)	GOLD	5
2	MICRO HOUSING	LCP	BLACK	1
3	MICRO SHELL	BRASS (C2680 EH)	MATTE TIN / NICKEL	1

RoHS Compliant

HSM 玄茂科技股份有限公司
HSUAN MAO TECHNOLOGY CO., LTD.

APPD. 核准
DWG. 製圖
DATE 制表日
2015/08/06

SCALE 比例 參考
UNIT 單位 MM
PAGE 張數 1 / 1

TOLERANCE
x ±0.50
.x ±0.20
.xx ±0.10
.xxx ±0.02
ANGLE ±1.00°

SIZE 紙張尺寸 A4
REV. 版次 B

PART NAME 品名
Micro USB B TYPE FEMALE 5P SMT TYPE (P.C.B TYPE)
WITHOUT LOCATING PEG MATTE TIN SHELL
BLACK COLOR HOUSING MATERIAL: LCP ROHS

PART NO.
料號 C8351-05BFDXNBFR