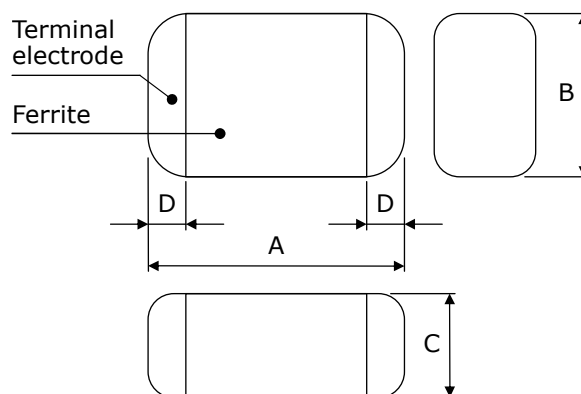


HIGH CURRENT MULTILAYER CHIP BEADS EFP SERIES

FEATURES

- These high current Beads do not require wiring, with minimum capacity and lower DC resistance characteristic, they are designed to eliminate EMI for electrical equipment power line use.
- Available in high current which up to 6A.
- Closed magnetic circuit avoids crosstalk, suitable for high density PCB.
- Excellent for high current applications such as power supplies, industrial Equipment, OA products, communication products etc..

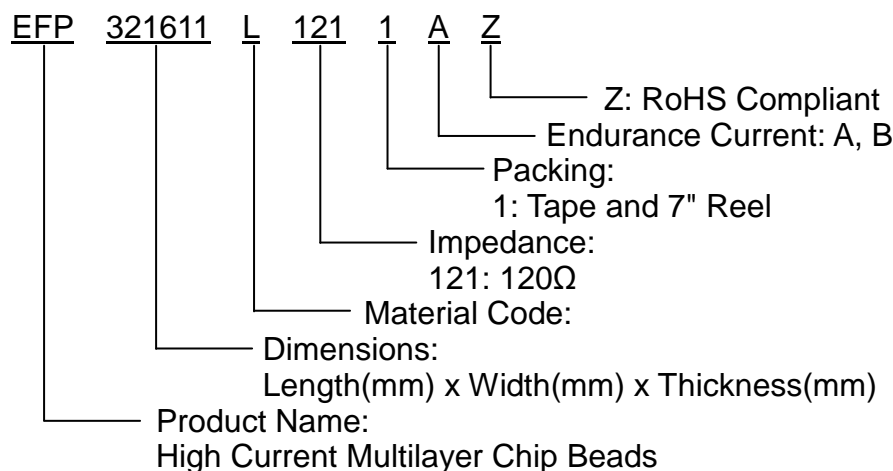
DIMENSIONS



UNIT: mm

Type	A	B	C	D
EFP100505(0402)	1.0±0.10	0.5±0.10	0.5±0.10	0.1~0.4
EFP160808(0603)	1.6±0.20	0.8±0.15	0.8±0.15	0.2~0.6
EFP201209(0805)	2.0±0.20	1.25±0.20	0.9±0.20	0.2~0.8
EFP321611(1206)	3.2±0.20	1.60±0.20	1.1±0.20	0.4~1.0

PART NUMBERING SYSTEM





ECE —
The Name You Can Trust!

■ ELECTRICAL CHARACTERISTICS

◆ TYPE: EFP 321611

Part No.	Test Frequency (MHz)	Impedance (Ω) \pm 25%	DC Resistance (Ω)Max.	Rating Current (mA)Max.
EFP321611L080*B	100	8	0.15	6000
EFP321611L110*B	100	11	0.15	6000
EFP321611L190*B	100	19	0.15	6000
EFP321611L260*B	100	26	0.15	6000
EFP321611L300*B	100	30	0.15	4000
EFP321611L310*B	100	31	0.15	4000
EFP321611L320*B	100	32	0.15	4000
EFP321611L350*B	100	35	0.15	4000
EFP321611L420*B	100	42	0.15	4000
EFP321611L500*B	100	50	0.02	4000
EFP321611L600*B	100	60	0.02	4000
EFP321611L680*B	100	68	0.02	4000
EFP321611L700*B	100	70	0.02	4000
EFP321611L800*A	100	80	0.025	3000
EFP321611L900*A	100	90	0.03	3000
EFP321611L101*A	100	100	0.03	2500
EFP321611L121*A	100	120	0.03	2500
EFP321611L151*A	100	150	0.04	2000
EFP321611L201*A	100	200	0.05	2000
EFP321611L221*A	100	220	0.05	2000
EFP321611L301*A	100	300	0.06	2000
EFP321611L401*A	100	400	0.10	2000
EFP321611L501*A	100	500	0.10	2000
EFP321611L601*A	100	600	0.10	2000
EFP321611L102*A	50	1000	0.15	1200
EFP321611L122*A	51	1200	0.18	1000
EFP321611L152*A	52	1500	0.20	800

◆ TYPE: EFP 100505

Part No.	Test Frequency (MHz)	Impedance (Ω) \pm 25%	DC Resistance (Ω)Max.	Rating Current (mA)Max.
EFP100505L100*A	100	10	0.03	2000
EFP100505L300*A	100	30	0.05	1700
EFP100505L400*A	100	40	0.075	1500
EFP100505L600*A	100	60	0.075	1500
EFP100505L700*A	100	70	0.09	1200
EFP100505L800*A	100	80	0.09	1200
EFP100505L121*A	100	120	0.09	1200



ECE —
The Name You Can Trust!

◆ **TYPE: EFP 160808**

Part No.	Test Frequency (MHz)	Impedance (Ω) \pm 25%	DC Resistance (Ω)Max.	Rating Current (mA)Max.
EFP160808L100*B	100	10	0.02	4000
EFP160808L110*B	100	11	0.02	4000
EFP160808L190*A	100	19	0.03	3000
EFP160808L200*A	100	20	0.03	3000
EFP160808L220*A	100	22	0.03	3000
EFP160808L250*A	100	25	0.03	3000
EFP160808L300*A	100	30	0.03	3000
EFP160808L310*A	100	31	0.03	3000
EFP160808L400*A	100	40	0.035	3000
EFP160808L470*A	100	47	0.04	3000
EFP160808L500*A	100	50	0.04	3000
EFP160808L560*A	100	56	0.04	3000
EFP160808L600*A	100	60	0.04	3000
EFP160808L680*A	100	68	0.05	2500
EFP160808L700*A	100	70	0.05	2500
EFP160808L750*A	100	75	0.05	2500
EFP160808L800*A	100	80	0.05	2500
EFP160808L900*A	100	90	0.05	2500
EFP160808L101*A	100	100	0.05	2500
EFP160808L121*A	100	120	0.08	2500
EFP160808L151*A	100	150	0.085	2000
EFP160808L181*A	100	180	0.09	2000
EFP160808L201*A	100	200	0.095	2000
EFP160808L221*A	100	220	0.10	2000
EFP160808L241*A	100	240	0.12	1500
EFP160808L301*A	100	300	0.12	1500
EFP160808L331*A	100	330	0.12	1500
EFP160808L401*A	100	400	0.12	1500
EFP160808L451*A	100	450	0.15	1500
EFP160808L471*A	100	470	0.15	1500
EFP160808L501*A	100	500	0.15	1200
EFP160808L601*A	100	600	0.20	1000
EFP160808L751*A	100	750	0.25	800
EFP160808L102*A	100	1000	0.25	800
EFP160808L152*A	100	1500	0.40	500



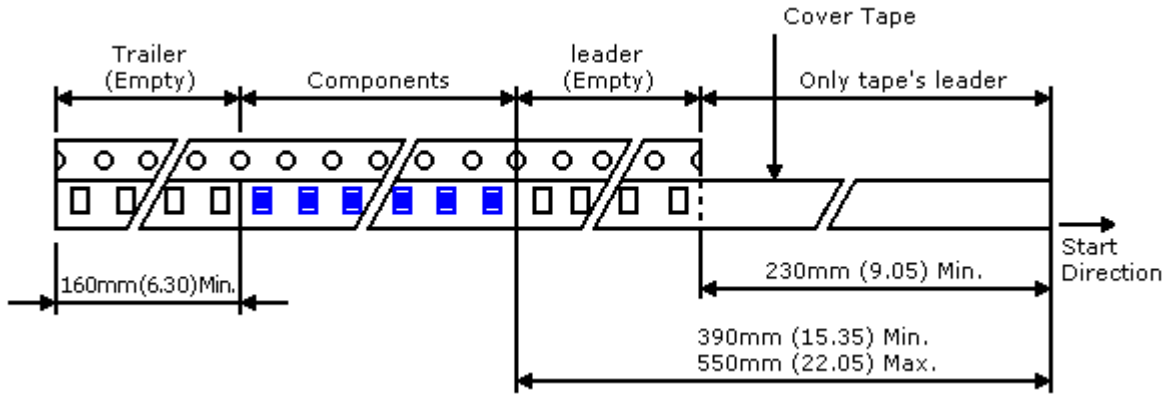
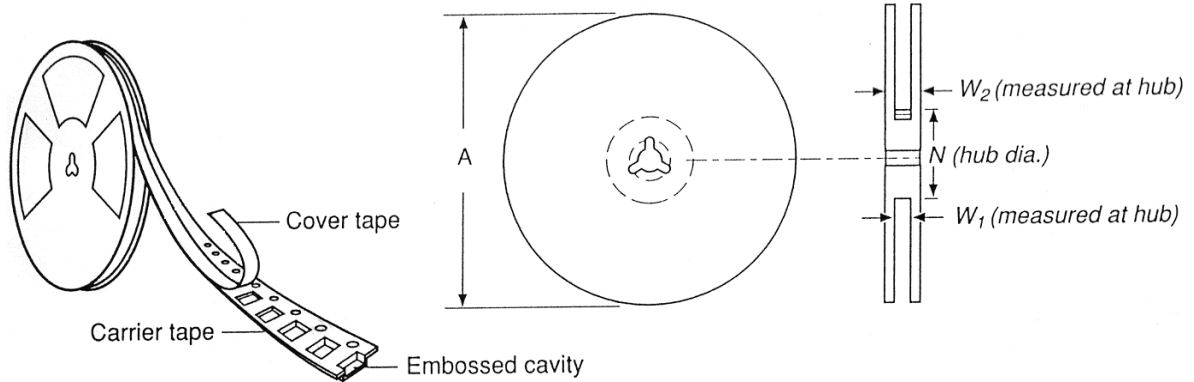
ECE —
The Name You Can Trust!

◆ **TYPE: EFP 201209**

Part No.	Test Frequency (MHz)	Impedance (Ω) \pm 25%	DC Resistance (Ω)Max.	Rating Current (mA)Max.
EFP201209L050*B	100	5	0.01	6000
EFP201209L070*B	100	7	0.01	6000
EFP201209L110*B	100	11	0.01	6000
EFP201209L130*B	100	13	0.02	5000
EFP201209L150*B	100	15	0.02	5000
EFP201209L170*B	100	17	0.02	5000
EFP201209L190*B	100	19	0.02	4000
EFP201209L220*B	100	22	0.02	4000
EFP201209L260*B	100	26	0.02	4000
EFP201209L280*B	100	28	0.02	4000
EFP201209L300*B	100	30	0.02	4000
EFP201209L310*B	100	31	0.02	4000
EFP201209L320*B	100	32	0.02	4000
EFP201209L390*A	100	39	0.02	3000
EFP201209L400*A	100	40	0.02	3000
EFP201209L420*A	100	42	0.025	3000
EFP201209L500*A	100	50	0.025	3000
EFP201209L600*A	100	60	0.03	3000
EFP201209L700*A	100	70	0.04	3000
EFP201209L750*A	100	75	0.04	3000
EFP201209L800*A	100	80	0.04	3000
EFP201209L900*A	100	90	0.04	3000
EFP201209L101*A	100	100	0.04	3000
EFP201209L121*A	100	120	0.04	3000
EFP201209L131*A	100	130	0.02	2500
EFP201209L151*A	100	150	0.05	2500
EFP201209L181*A	100	180	0.05	2500
EFP201209L201*A	100	200	0.08	2500
EFP201209L221*A	100	220	0.08	2000
EFP201209L251*A	100	250	0.08	2000
EFP201209L301*A	100	300	0.08	2000
EFP201209L331*A	100	330	0.08	2000
EFP201209L401*A	100	400	0.10	2000
EFP201209L451*A	100	450	0.10	2000
EFP201209L471*A	100	470	0.10	2000
EFP201209L501*A	100	500	0.10	2000
EFP201209L601*A	100	600	0.10	2000
EFP201209L751*A	100	750	0.12	1500
EFP201209L102*A	100	1000	0.12	1500
EFP201209L152*A	100	1500	0.30	1000

TAPE & REEL PACKAGING

■ Packaging - Cover Tape



Reel Dimensions		
Reel type	W=8mm	W=12mm
A	Φ178mm	Φ178mm
N	Φ50mm min.	Φ50mm min.
W_1	8.4+1.5mm	12.4+2.0mm
W_2	14.4mm max.	18.4mm max.

■ Packaging Quantity

Type	Reel/Tape
100505	10000
160808	4000
201209	4000
201212	3000
321611	3000
321616	2000

Type	Reel/Tape
EWL2520	2000
EWL3225	2000
EWL4532	500
EWH0603	4000
EWH0805	2000
EWH1008	2000