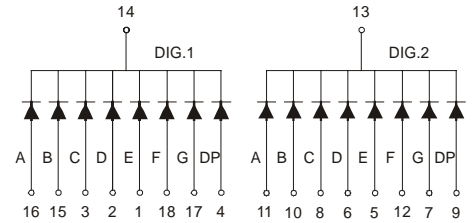
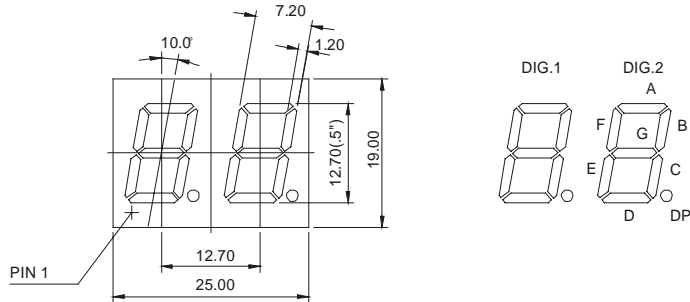


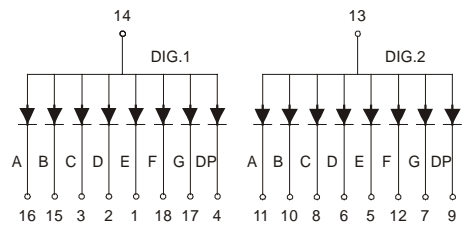
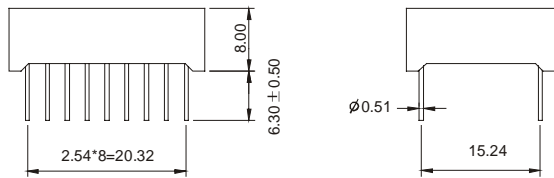
## GND-5021Cx-Dx (DUAL DIGIT LED DISPLAY)

### GND-5021 Series

### GND-5021Cx



### GND-5021Dx



### Features:

\*0.50 INCH HIGH CHARACTER.

\*EXCELLENT CHARACTER APPEARANCE.

\*COMMON CATHODE OR COMMON ANODE.

\*I.C. COMPATIBLE.

\*LOW POWER CONSUMPTION.

Part Number	EMITTED COLOR		Common Cathode or Common Anode	Peak Wavelength (nm)	Vf (v) Typ	If (mA)	Intensity Per Segment (mcd)	
							Min.	Typ.
GND-5021CE	GaAsP/GaP	Hi.effi Red	Common Cathode	635	2.0	20	9	12
GND-5021CG	GaP	Green		565	2.1	20	8	11
GND-5021CY	GaAsP/GaP	Yellow		585	2.0	20	9	12
GND-5021CS	GaAlAs	Super Red		660	1.8	20	10	13
GND-5021CD	GaAlAs	Ultra Red		660	1.8	20	25	30
GND-5021CUE	AlGaInP	Ultra Red		625	2.0	20	30	35
GND-5021CUY	AlGaInP	Ultra Yellow		590	2.0	20	30	35
GND-5021DE	GaAsP/GaP	Hi.effi Red	Common Anode	635	2.0	20	9	12
GND-5021DG	GaP	Green		565	2.1	20	8	11
GND-5021DY	GaAsP/GaP	Yellow		585	2.0	20	9	12
GND-5021DS	GaAlAs	Super Red		660	1.8	20	10	13
GND-5021DD	GaAlAs	Ultra Red		660	1.8	20	25	30
GND-5021DUE	AlGaInP	Ultra Red		625	2.0	20	30	35
GND-5021DUY	AlGaInP	Ultra Yellow		590	2.0	20	30	35