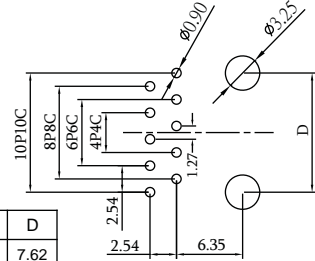
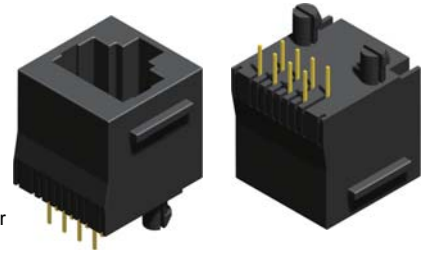
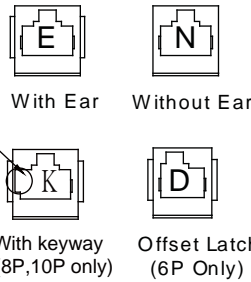
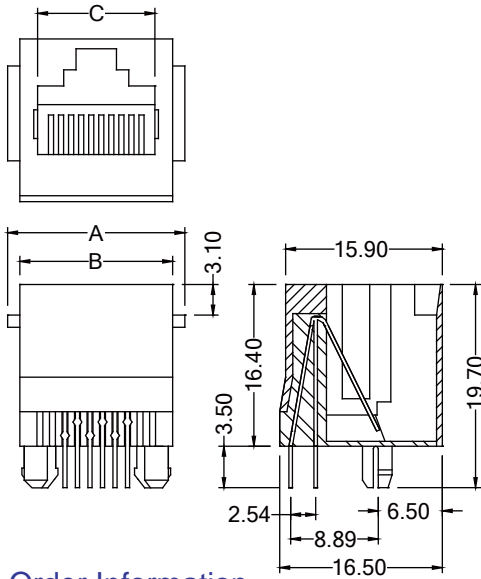


Modular Jack Top Entry H=16.4 W=16.50

Material&Finish

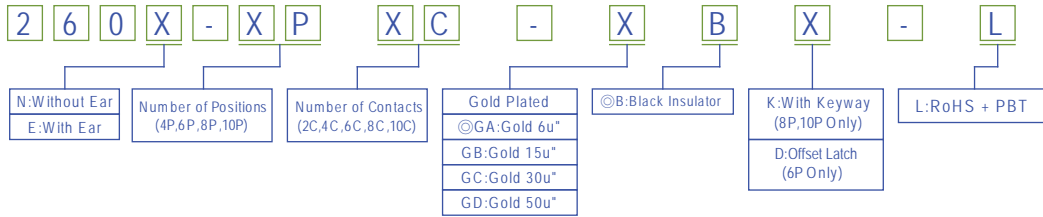
Housing:P.B.T, UL 94V-0, Black
 Contact :0.35x0.42mm Thickness Phosphor Bronze,
 Gold Plated Over Nickel on Contact Area,
 Tin plated over Nickel on solder area.



Recommended PCB Layout
 (PCB TOLERANCE ±0.05)

| Positions | Contacts | A | B | C | D |
|-----------|----------|-------|-------|-------|-------|
| 4P | 4C | 13.85 | 11.40 | 7.90 | 7.62 |
| 6P | 2C/4C/6C | 15.85 | 13.45 | 10.00 | 10.16 |
| (8P)6P | 4C/6C | 18.00 | 15.40 | 10.00 | 11.43 |
| 8P | 4C/6C/8C | 18.00 | 15.40 | 11.90 | 11.43 |
| 10P | 10C | 18.00 | 15.40 | 11.90 | 11.43 |

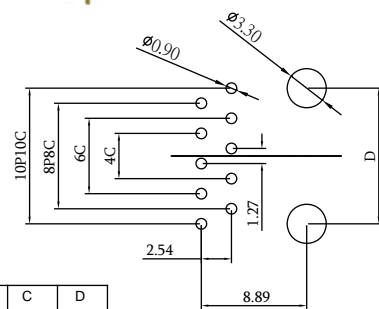
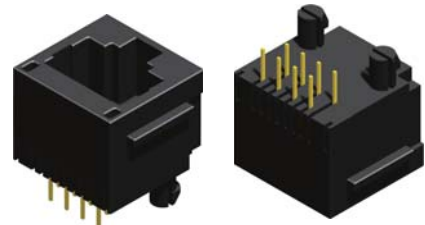
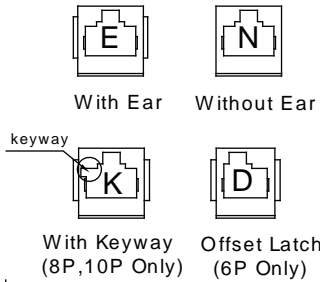
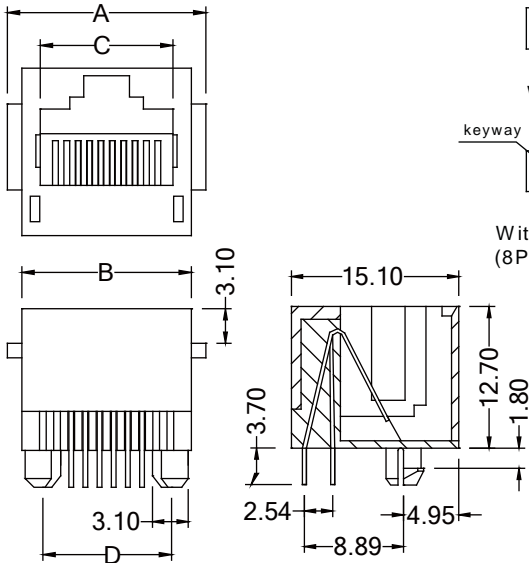
Order Information



Modular Jack Top Entry H=12.7 W=15.10

Material&Finish

Housing:P.B.T, UL 94V-0, Black
 Contact :0.35x0.42mm Thickness Phosphor Bronze,
 Gold Plated Over Nickel on Contact Area,
 Tin plated over Nickel on solder area.



Recommended PCB Layout
 (PCB TOLERANCE ±0.05)

| Positions | Contacts | A | B | C | D |
|-----------|----------|-------|-------|-------|-------|
| 4P | 4C | 13.60 | 11.20 | 7.90 | 7.62 |
| 6P | 2C/4C/6C | 15.60 | 13.20 | 9.90 | 10.16 |
| (8P)6P | 2C/4C/6C | 17.60 | 15.20 | 9.90 | 11.43 |
| 8P | 4C/6C/8C | 17.60 | 15.20 | 11.90 | 11.43 |
| 10P | 10C | 17.60 | 15.20 | 11.90 | 11.43 |

Order Information

