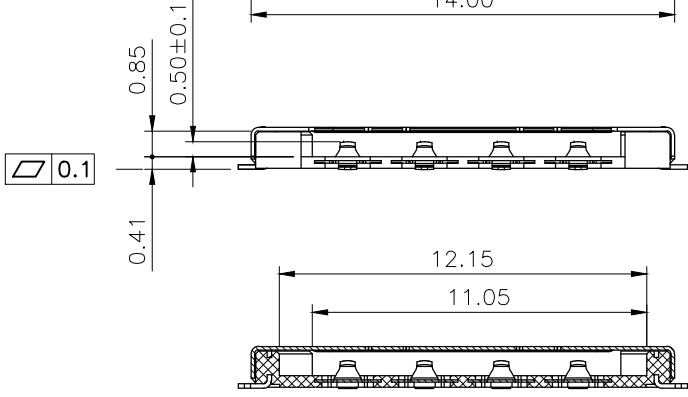
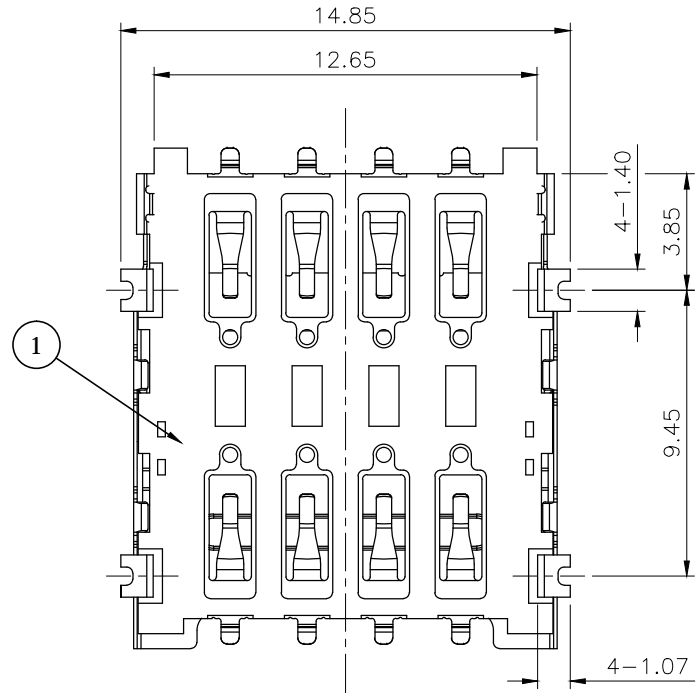
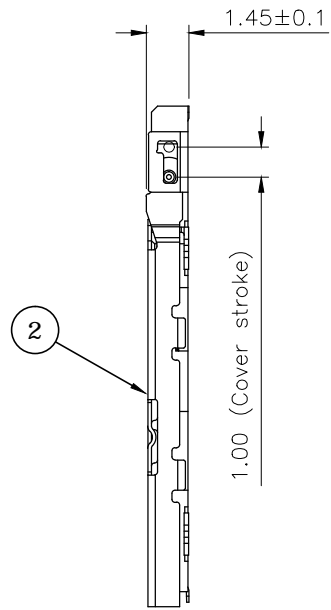
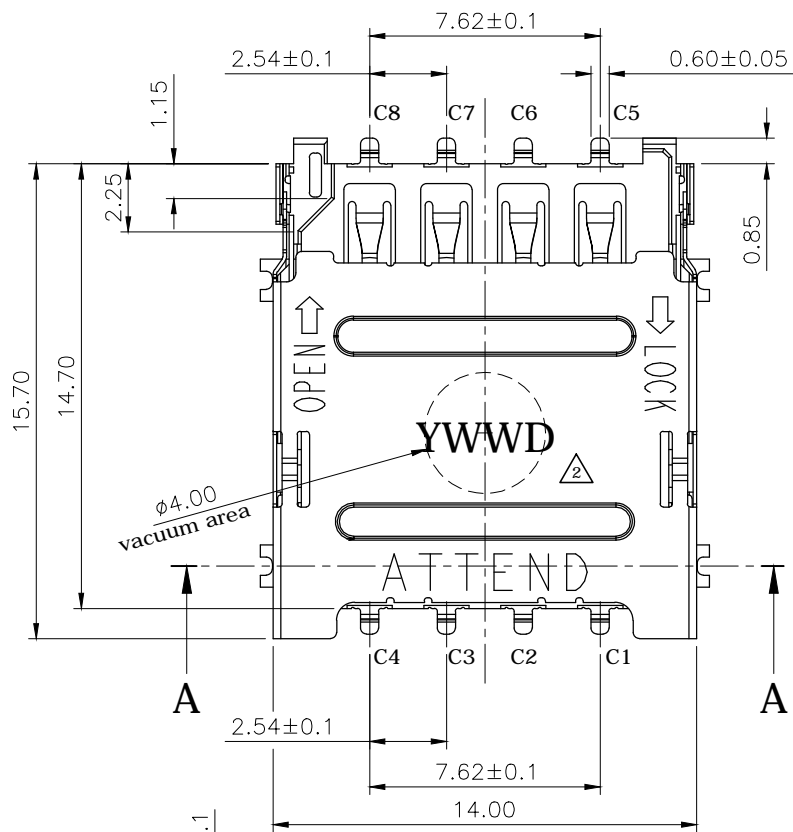


REV.	DESCRIPTION	DRAWN	DATE
1	INITIAL RELEASE	FROS	2015/02/09
2	Add date code	FROS	2016/08/09



SECTION A-A

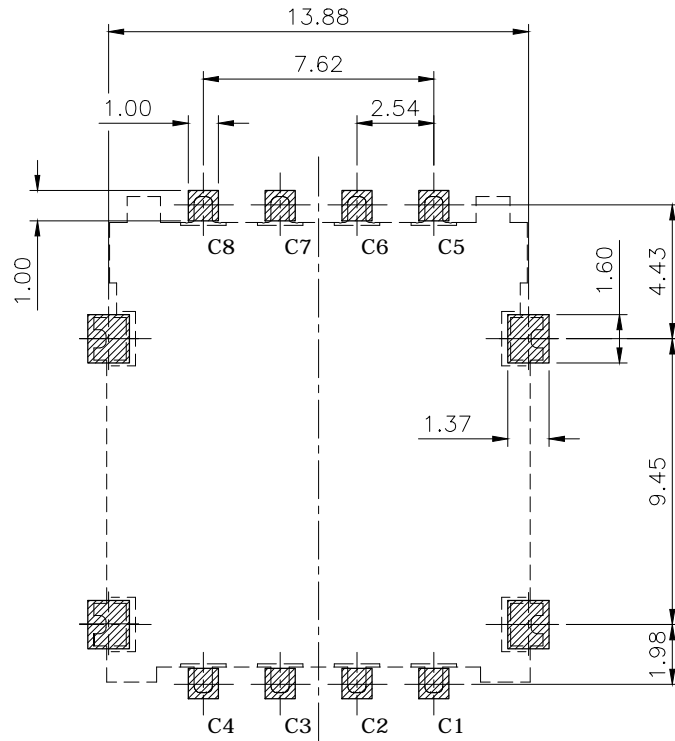
**SPECIFICATION:**

1. ELECTRICAL
  - 1.1 Current Rating: 0.5A Max.
  - 1.2 Voltage Rating: 10V AC/DC
  - 1.3 Contact Resistance:
    - Initially 50mΩ Max.
    - Finally 100mΩ Max.
  - 1.4 Insulation Resistance: 1,000MΩ Min.
  - 1.5 Dielectric Withstanding Voltage: 500V AC
2. MECHANICAL
  - 2.1 Contact Normal Force: 0.3N Min./ Pin
  - 2.2 Durability: 50 Cycles
3. ENVIRONMENTAL
  - 3.1 Operating temperature range: -30°C~+85°C
  - 3.2 Storage temperature range: -40°C~+85°C
  - 3.3 Storage Humidity: +10%~+80% RH
4. SOLDER ABILITY
  - 4.1 Recommended IR Reflow(Wave Soldering)
    - Temperature: 260°C

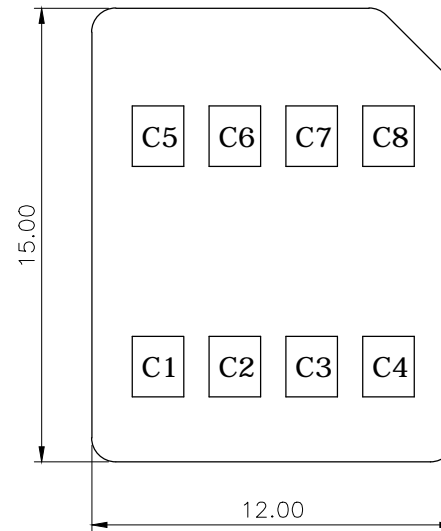
2	SHELL	Stainless 0.12T, 50u" Nickel Plated		
1	MOLDING	Housing: LCP, Black		
		Ground: Stainless 0.15T, Gold Flash		
		Contact: Copper Alloy 0.08T, 5u" Gold Plated		
NO.	PART NAME	DESCRIPTION		
UNLESS OTHERWISE SPECIFIED TOLERANCE				
UNIT:	DECIMAL	LINEAR	ANGLES	
mm	X.	±0.50	±5°	
	X.X	±0.25	±3°	
	X.XX	±0.12	±1°	
DRAWN	Fros	2014/12/27	DRAWN NAME:	
CHECKED	Ron	2014/12/27	Micro SIM Card Socket,	
APPROVED	Albert	2014/12/27	Hinge Type, 8 Pin, 5u" Gold Plating	
SCALE	4/1	SHEET	1/1	SIZE
FILE NAME	115R-BCAO_B_2			
PRODUCT NO.	115R-BCAO			
WWW.ATTEND.COM.TW				



REV.	DESCRIPTION	DRAWN	DATE
	SEE SHEET 1		



RECOMMEND LAYOUT (TOP VIEW)  
GENERAL TOLERANCE  $\pm 0.05\text{mm}$



MICRO SIM CARD  
PAD LAYOUT

PIN NO.	FUNCTION
C1	VCC
C2	RST
C3	CLK
C4	AS
C5	GND
C6	VPP
C7	I/O
C8	AS

MICRO SIM CARD  
PAD ASSIGNMENT

UNLESS OTHERWISE SPECIFIED TOLERANCE

UNIT:	DECIMAL	LINEAR	ANGLES
mm	X.	$\pm 0.50$	$\pm 5^\circ$
	X.X	$\pm 0.25$	$\pm 3^\circ$
	X.XX	$\pm 0.12$	$\pm 1^\circ$

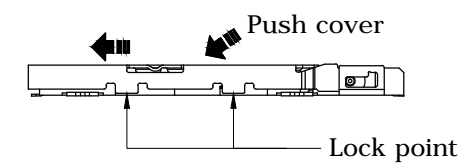
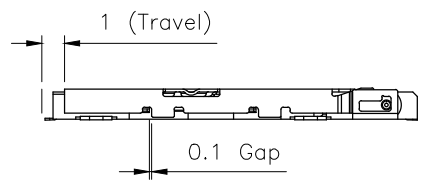
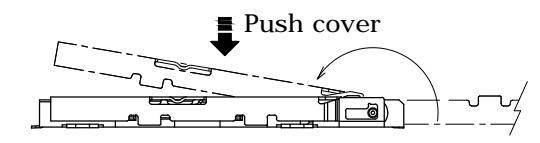
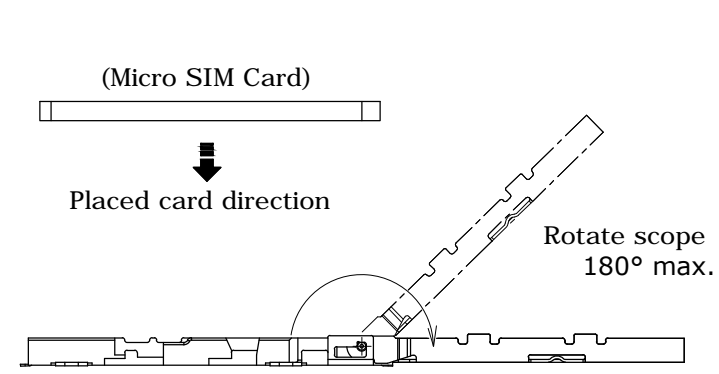
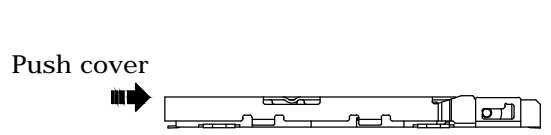
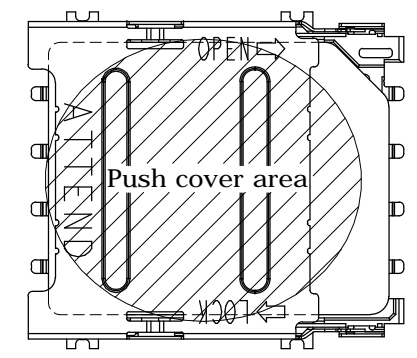
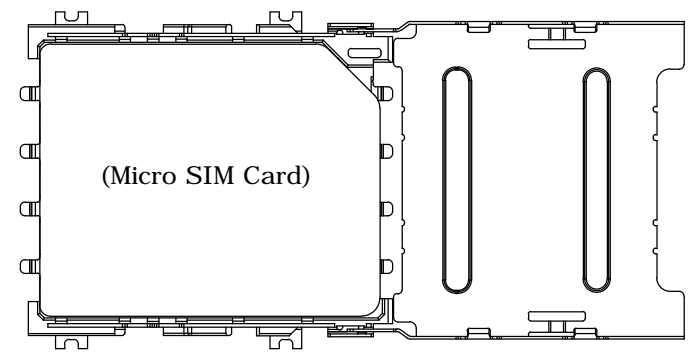
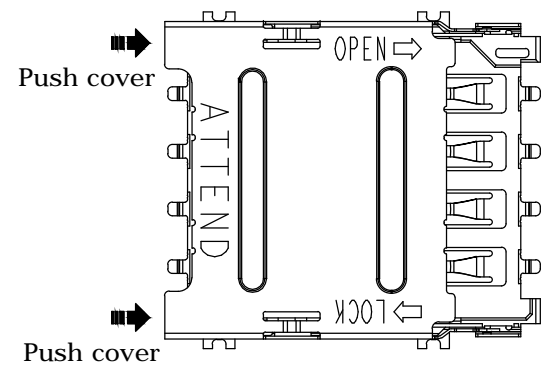


WWW.ATTEND.COM.TW

DRAWN	Fros	2014/12/27
CHECKED	Ron	2014/12/27
APPROVED	Albert	2014/12/27
SCALE	4/1	SHEET 2/4
		SIZE A4

DRAWN NAME:	Micro SIM Card Socket, Hinge Type, 8 Pin, 5u" Gold Plating
PRODUCT NO.	115R-BCA0
FILE NAME	115R-BCA0_B_2



REV.	DESCRIPTION	DRAWN	DATE
	SEE SHEET 1		



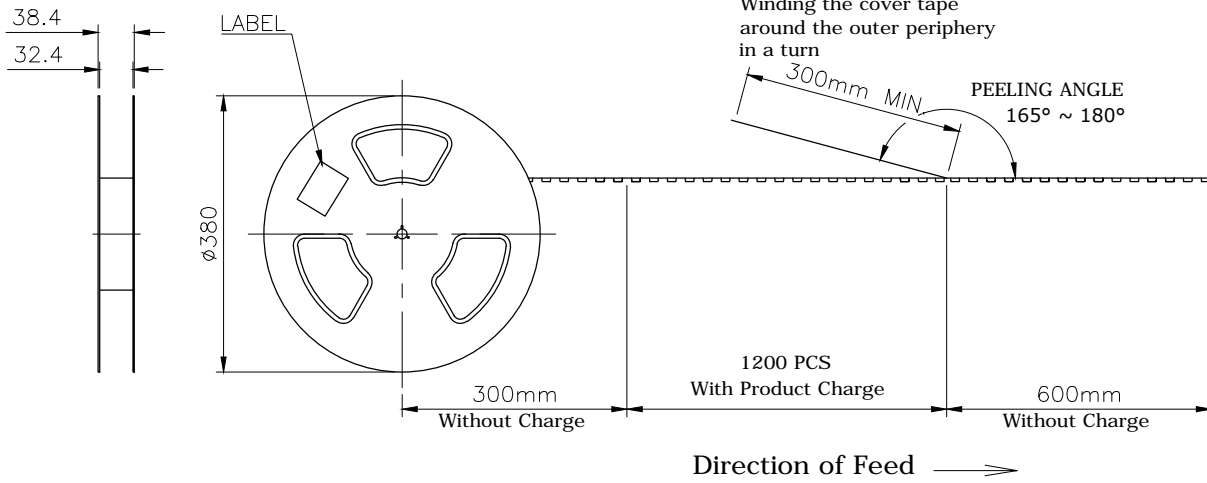
Step 1. Un-Lock

Step 2. Open the cover then add card

Step 3. Close & Lock

UNLESS OTHERWISE SPECIFIED TOLERANCE				 <a href="http://WWW.ATTEND.COM.TW">WWW.ATTEND.COM.TW</a>	
UNIT:	DECIMAL	LINEAR	ANGLES		
mm	X.	±0.50	±5°		
	X.X	±0.25	±3°		
	X.XX	±0.12	±1°		
DRAWN	Fros	2014/12/27	DRAWN NAME:		
CHECKED	Ron	2014/12/27	Micro SIM Card Socket, Hinge Type, 8 Pin, 5u" Gold Plating		
APPROVED	Albert	2014/12/27	PRODUCT NO.	115R-BCA0	
	SCALE 3/1	SHEET 3/4	SIZE A4	FILE NAME	115R-BCA0_B_2

REV.	DESCRIPTION	DRAWN	DATE
	SEE SHEET 1		



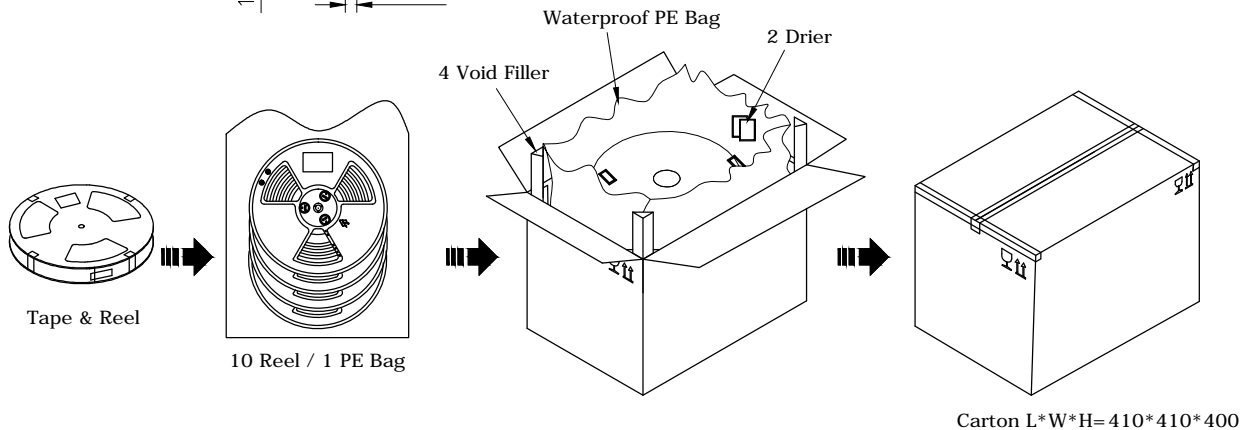
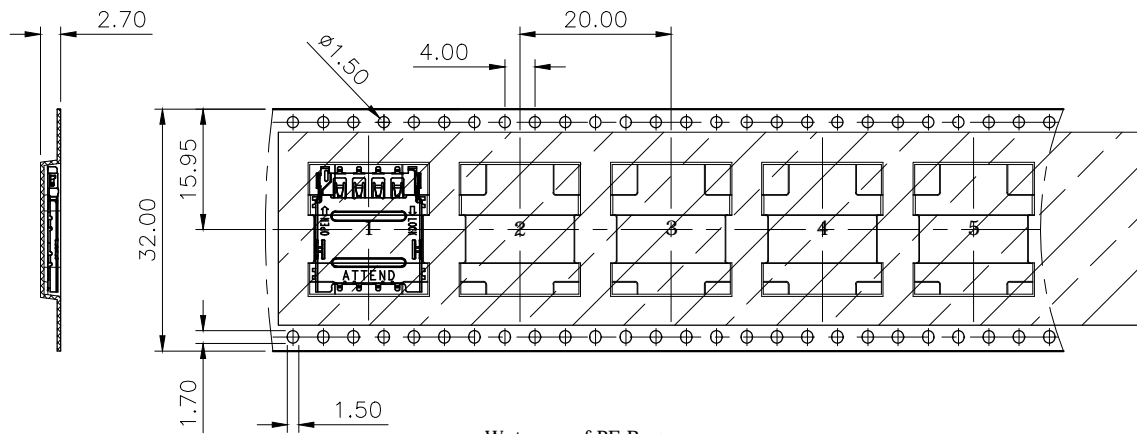
## PACKAGING SPECIFICATION:

### 1. MATERIAL

- 1.1 Embossed Carrier Tape: PS Black
- 1.2 Top Cover Tape: PET 20-130g (Peel Speed 300mm/Minute)
- 1.3 Taping Reel: Plastic

### 2. PACKING

- 2.1 Quantity:
  - 1,200 Piece/Reel
  - 10 Reel/PE Bag
  - 12,000 Piece/Carton
- 2.2 Connector Weight: 0.36g
- 2.3 Net Weight: 4.32 Kg
- 2.4 Gross Weight: 13 Kg/Carton



UNLESS OTHERWISE SPECIFIED TOLERANCE

UNIT:	DECIMAL	LINEAR	ANGLES
mm	X.	±0.50	±5°
	X.X	±0.25	±3°
	X.XX	±0.12	±1°



WWW.ATTEND.COM.TW

DRAWN	Fros	2014/12/27
CHECKED	Ron	2014/12/27
APPROVED	Albert	2014/12/27
SCALE	1/1	SHEET 4/4
		SIZE A4

DRAWN NAME:	Micro SIM Card Socket, Hinge Type, 8 Pin, 5u" Gold Plating
PRODUCT NO.	115R-BCA0
FILE NAME	115R-BCA0_B_2