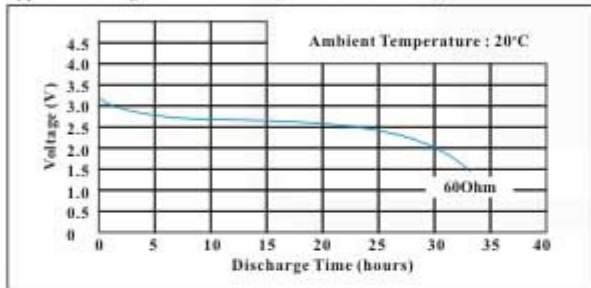


LITHIUM PHOTO BATTERY

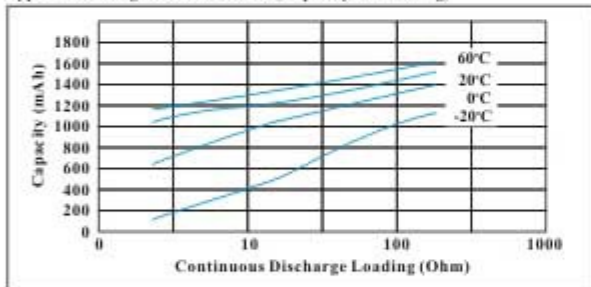
SPECIFICATIONS

| | | |
|---------------------|---|--|
| Model | : | CR123A |
| Description | : | Lithium Photo Battery |
| Nominal Capacity | : | 1400mAh at 60 Ohm continuous discharge |
| Nominal Voltage | : | 3.0 V |
| Cut-Off Voltage | : | 1.5 V |
| Weight | : | 15 g |
| Self-Life | : | 10 years ex-factory |
| Ambient Temperature | : | -20 - 60 degC |
| Service Life | : | Over 28 (Typ. 33) hrs at 60 Ohm continuous discharge Over 650 (Typ. 800) cycles at 1.5A pulse drain |
| Application | : | Camera, Flashlight, Alarm |

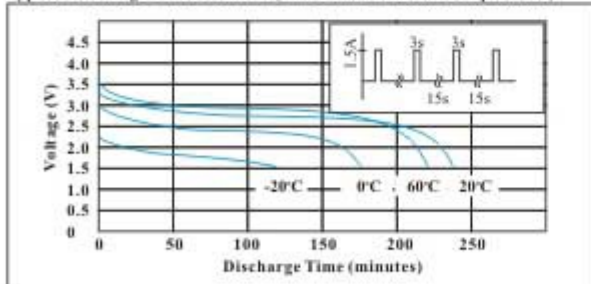
Typical Discharge Characteristics (60 Ohm Continuous)



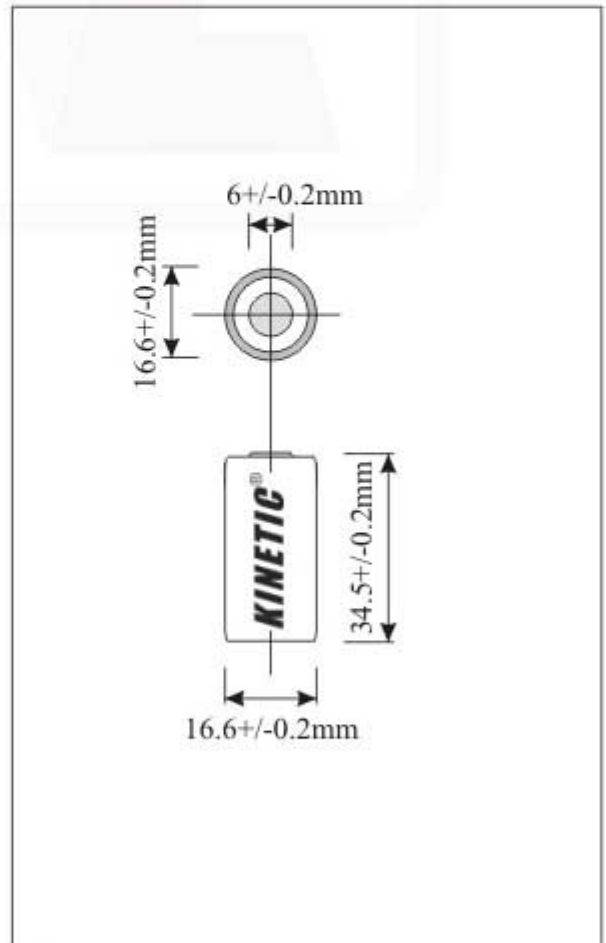
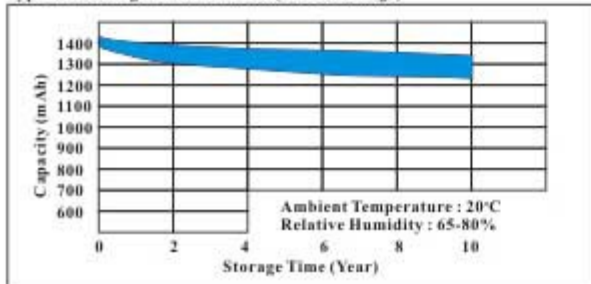
Typical Discharge Characteristics (Capacity vs. Loading)



Typical Discharge Characteristics (1.5A Pulse at Various Temperature)



Typical Discharge Characteristics (Self-Discharge)



Typical Cycle Life (1.5A Pulse Drain)

