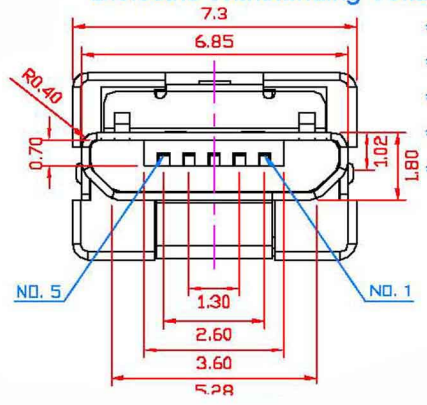


Specification:

- *Contact Resistance:
 - (1)30m Ohm Max. at 100mA
 - (2)10,000 Cycles After: 40m Ohm Max.at 100mA
- *Rated Voltage: AC 30V
- *Contact Current Rating:
 - (1)Signal Line: 1A/Pin (No. 1 to 5)
 - (2)2-Line For Power: 1.8A/Pin(No. 1 and 5),0.5A/Pin(No. 2 to 4)
- *Insulation Resistance: 100M Ohm Min. At 500V DC
- *Dielectric Withstanding Voltage: 100V AC for 1 Minute
- *Durability (Life Test): 10,000 Cycles
- *Insertion Force: 35 Newton Maximum
- *Extraction Force: 8 Newton Minimum
- *Operating Temperature: -30 ° to +80 °C
- *Solderability: 260 °C +/-5 °C;5 Sec



NO.	NAME	MATERIAL	FINISH	Q'TY	REMARK
1	HOUSING	LCP+GF30%	BLACK	1	
2	PIN TERM.	PBS T±0.20	GOLD/TIN PLATED	5	Ni:80~120u"; Gold:30u" Ti:120~200u"
3	SHELL	STAINLESS T±0.20	NICKEL PLATED	1	Ni:80~120u"
4	COVER	LCP+GF30%	BLACK	1	
5	SPRING	STAINLESS T±0.40		1	

RoHS Compliant		HSM 玄茂科技股份有限公司 HSUAN MAO TECHNOLOGY CO., LTD.	
APPD. 核准 BETTY	SCALE 比例 参考	TOLERANCE 容許公差 X. ±0.38 .X ±0.25 .XX ±0.13 .XXX ±0.05	PART NAME 品名 Micro USB B Type 5P MALE SOLDER TYPE SELECTIVE GOLD 30U" PLATING NICKEL SHELL BLACK INSULATOR HOSUING MATERIAL:LCP ROHS
DWG. 製圖 BETTY	UNIT 單位 MM	SIZE 紙張尺寸 A 4	PART NO. 料號 C8350-05BMSIB0R
DATE 制表日 2009/06/15	PAGE 張數 1 OF 1	REV. 版次 A	