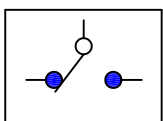
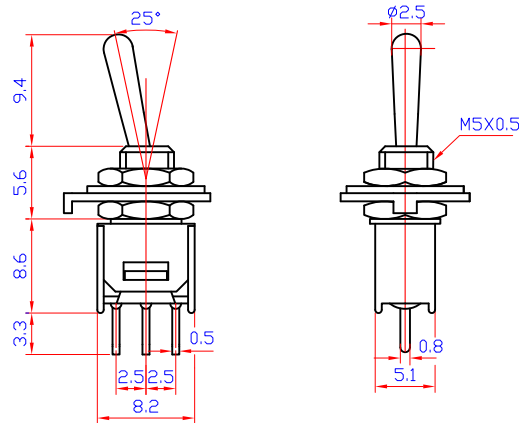
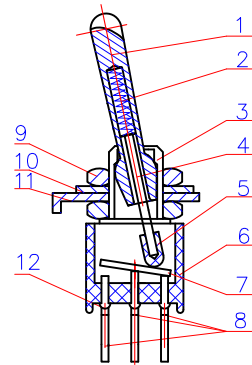


序號	另件名稱 PARTS NAME	另件材料 THE PARTS OF MATERIAL	電鍍 ELECTROPLATING	歐洲環保 RoHS
1	手柄 Slide Handle	黃銅 Brass		RoHS
2	彈簧 Spring	鋼絲 Steel wire	-----	RoHS
3	軸套 Bushing	黃銅 Brass	鍍鎳 Plate Nickel	RoHS
4	滑杆 Supporting Halt	鋼絲 Steel wire	-----	RoHS
5	滑塊 Sliding Point	尼龍 PA46	-----	RoHS
6	基座 Housing	膠木粉 Bakelite		RoHS
7	動觸片 Movable Plate	黃銅 Brass	鍍銀 Plate Silver	RoHS
8	端子 Terminals	黃銅 Brass	鍍銀 Plate Silver	RoHS
9	螺帽 Nuts	黃銅 Brass	鍍鎳 Plate Nickel	RoHS
10	齒形華司 Zigzag Washer	不銹鋼 Stainless Steel	鍍鎳 Plate Nickel	RoHS
11	固定華司 Fix Washer	不銹鋼 Stainless Steel	鍍鎳 Plate Nickel	RoHS
12	環氧膠 Epoxy Seal	5010A/B	-----	RoHS

SMS-101-A2: 2P ON-OFF  
SMS-102-A2: 3P ON-ON  
SMS-103-A2: 3P ON-OFF-ON  
3P,SPDT



Circuit Diagram

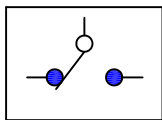
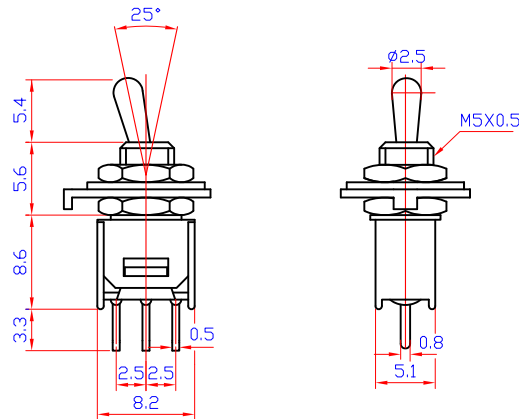
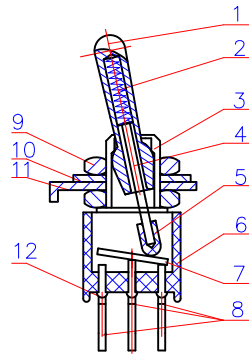
Specification

1. Rating: 1.5A 250V AC ;3A 125V AC
2. Contact R: 20mΩ Max
3. Insulation R: DC500V 1000MΩ Min
4. Dielectric strength: 1000V AC,1minute
5. Electrical life: 10,000 Cycles

DWN	CHUN	2010.05.14	ITEM NO.	SMS-102-A2	同利企業有限公司 TELE LONG ENTERPRISE CO.,LTD.
CHECK	YANG		TITLE	SUB-MINI TOGGLE SWITCH	
APPD	RAY				DWG NO.: SMS-102-A2-CN34-A1

序號	另件名稱 PARTS NAME	另件材料 THE PARTS OF MATERIAL	電鍍 ELECTROPLATING	歐洲環保 RoHS
1	手柄 Slide Handle	黃銅 Brass		RoHS
2	彈簧 Spring	鋼絲 Steel wire	— — — — —	RoHS
3	軸套 Bushing	黃銅 Brass	鍍鎳 Plate Nickel	RoHS
4	滑杆 Supporting Halt	鋼絲 Steel wire	— — — — —	RoHS
5	滑塊 Sliding Point	尼龍 PA46	— — — — —	RoHS
6	基座 Housing	膠木粉 Bakelite		RoHS
7	動觸片 Movable Plate	黃銅 Brass	鍍銀 Plate Silver	RoHS
8	端子 Terminals	黃銅 Brass	鍍銀 Plate Silver	RoHS
9	螺帽 Nuts	黃銅 Brass	鍍鎳 Plate Nickel	RoHS
10	齒形華司 Zigzag Washer	不銹鋼 Stainless Steel	鍍鎳 Plate Nickel	RoHS
11	固定華司 Fix Washer	不銹鋼 Stainless Steel	鍍鎳 Plate Nickel	RoHS
12	環氧膠 Epoxy Seal	5010A/B	— — — — —	RoHS

SMS-101-C2: ON-OFF  
 SMS-102-C2: 3P ON-ON  
 SMS-103-C2: 3P ON-OFF-ON  
 3P,SPDT



Circuit Diagram

Specification

- 1.Rating:1.5A 250V AC ;3A 125V AC
- 2.Contact R:20mΩ Max
- 3.Insulation R:DC500V 1000M Ω Min
- 4.Dielectric strength:1000V AC,1minute
- 5.Electrical life:10,000 Cycles

DWN	CHUN	2010.05.14	ITEM NO.	SMS-102-C2	同利企業有限公司 TELE LONG ENTERPRISE CO.,LTD.
CHECK	YANG		TITLE	SUB-MINI TOGGLE SWITCH	
APPD	RAY				DWG NO.: SMS-102-C2-CN34-A1