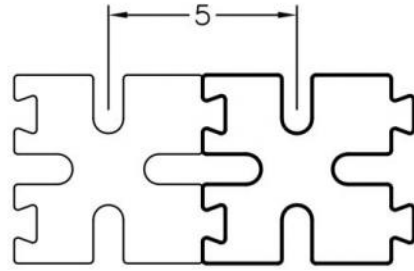
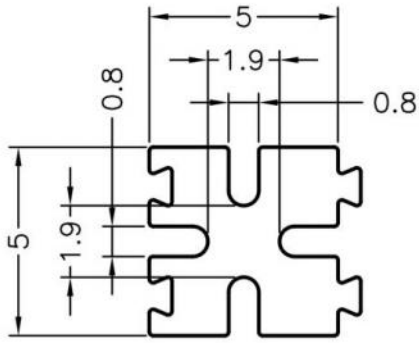


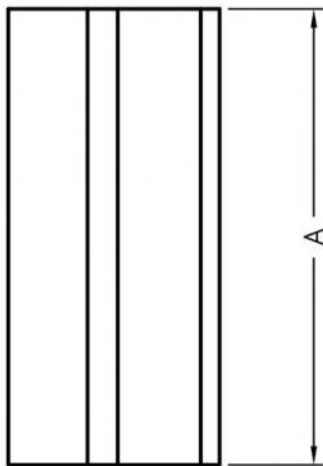
WEBSITE PHOTOS

⚠ This dwg is for reference only, Actual dwg should be based on formal engineering dwg issued by Kang Yang.



THE PRODUCTS NEED TO COOPERATE CLOSELY WHILE USING.

產品使用時需組合使用



| | |
|-----|---|
| A | P |
| 7.0 | 1 |

| | |
|---|--------------------------|
| P | Number of Assembling LED |
|---|--------------------------|


康揚企業股份有限公司
 KANG YANG HARDWARE ENTERPRISE CO., LTD.
康揚塑膠(東莞)有限公司
 KANG YANG PLASTIC(DONG GUAN)CO.,LTD.
康哲電腦配件(吳江)有限公司
 KANG CHE COMPUTER COMPONENTS(WUJIANG) CO.,LTD.

| | | | | | |
|--------------------|-------|--------|-------|------------|--|
| PART NUMBER | | LEDP-7 | | SPEC. DWG. | |
| TITLE | | | | | |
| LED SPACER SUPPORT | | | | | |
| MATERIAL | | | COLOR | | |
| NYLON 66(UL) 94V-2 | | | BLACK | | |
| SIZE | SCALE | UNIT | CHECK | | |
| A4 | 2:1 | mm | Z.C | | |