



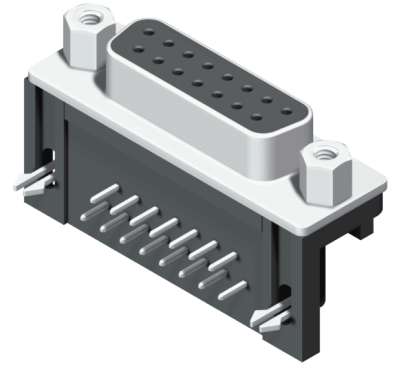
## D-SUB Right Angle Type

### Specifications

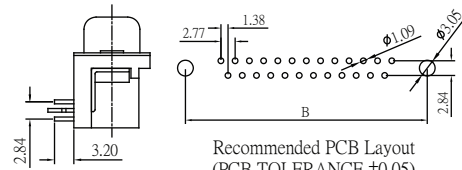
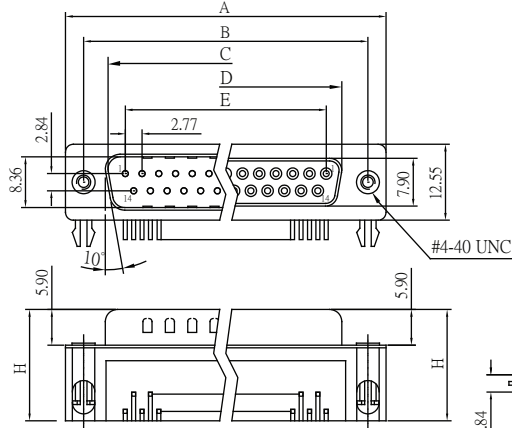
Current Rate:3 AMP  
 Insulation Resistance:1000MΩ Min.  
 Contact Resistance:20mΩ Max.  
 Dielectric Voltage:500V AC for one minute  
 Operation Temperature:-55°C to +105°C

### Material

Insulator:Polyester,UL 94V-0  
 Standard:PBT  
 Terminal:Copper Alloy.



No. of Contacts	Dim. A	Dim. B	Dim. C	Dim. D	Dim. E	Dim. H
9	30.81	24.99	16.92	16.33	11.08	18.40 (51DSBDR11/2)
15	39.14	33.32	25.50	24.66	19.39	20.70 (51DSBDR13/4)
25	53.04	47.04	38.96	38.38	33.24	25.30 (51DSBDR15/6)
37	69.32	63.50	55.42	54.84	49.86	



### Order Information

5 7 D B D R X X - X X A X X X B A - 0 1

DR:DIP R/A Type

1.Tin Shell PBT  
2.Nickel Shell PBT

A:Foot Print 7.2 ,Male  
B:Foot Print 7.2,Female  
C:Foot Print 9.4,Male

D:Foot Print 9.4,Female  
E:Foot Print 13.84,Male  
F:Foot Print 13.84,Female

No. of Contact (09/15/25/37)

A:Rivet  
B:Rivet + Screw Attached  
C:Rivet + Screw Insert  
M:Jack Screw Insert

A:Fork Grounding

B:Black Insulator

A:Tray

G0:Gold Flash  
GA:Gold 5u"  
GB:Gold 10u"  
GC:Gold 20u"  
GD:Gold 30u"

SD:Selective  
SA:Selective 5u"  
SB:Selective 10u"  
SC:Selective 20u"  
SD:Selective 30u"

Type See Page 5-1

Old P/N:DBRX-M/F

## D-SUB Dual Port Right Angle Type

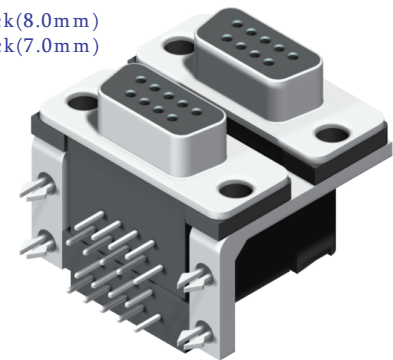
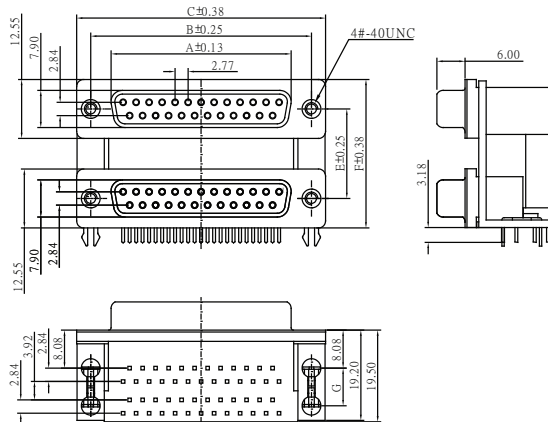
### Specifications

Current Rate:3 AMP  
 Insulation Resistance:1000MΩ Min.  
 Contact Resistance:20mΩ Max.  
 Dielectric Voltage:500V AC for one minute  
 Operation Temperature:-55°C to +105°C

### Material

Terminal:Copper Alloy.  
 Insulator: PBT, UL 94V-0  
 Board Mounting(Dim G):  
 Dual Boardlock(8.0mm)/Quad Boardlock(8.0mm)  
 Dual Boardlock(7.0mm)/Quad Boardlock(7.0mm)

No. of Contacts	Dim. A	Dim. B	Dim. C	Dim. E	Dim. F	Dim. G
9	16.33	24.99	30.81	15.88	28.40	7.00
15	24.66	33.32	39.14	19.05	31.60	7.00
25	38.38	47.04	53.04	22.86	35.40	8.00
37	54.84	63.54	69.32			



### Order Information

5 7 D X D R X X - X X X X X B A - 0 1

DR:DIP R/A Type

1.Tin Shell PBT  
2.Nickel Shell PBT

	Upper	Bottom
1	Female	Female
2	Female	Male
3	Male	Female
4	Male	Male

Spacing Between(Dim. E)

A:15.88mm  
B:19.05mm  
C:22.86mm

Total of Contact

N:None  
A: Dual Boardlock(8.0mm)  
B: Qual Boardlock(8.0mm)  
C: Dual Boardlock(7.0mm)  
D: Qual Boardlock(7.0mm)

N:Non Accessories  
A:Rivet  
B:Rivet + Screw Attached  
C:Rivet + Screw Insert

B:Black Insulator

A:Tray

SD:Selective  
SF:Selective 15u"  
SD:Selective 30u"

Old P/N:DBBRX

D-SUB Type



ROHS