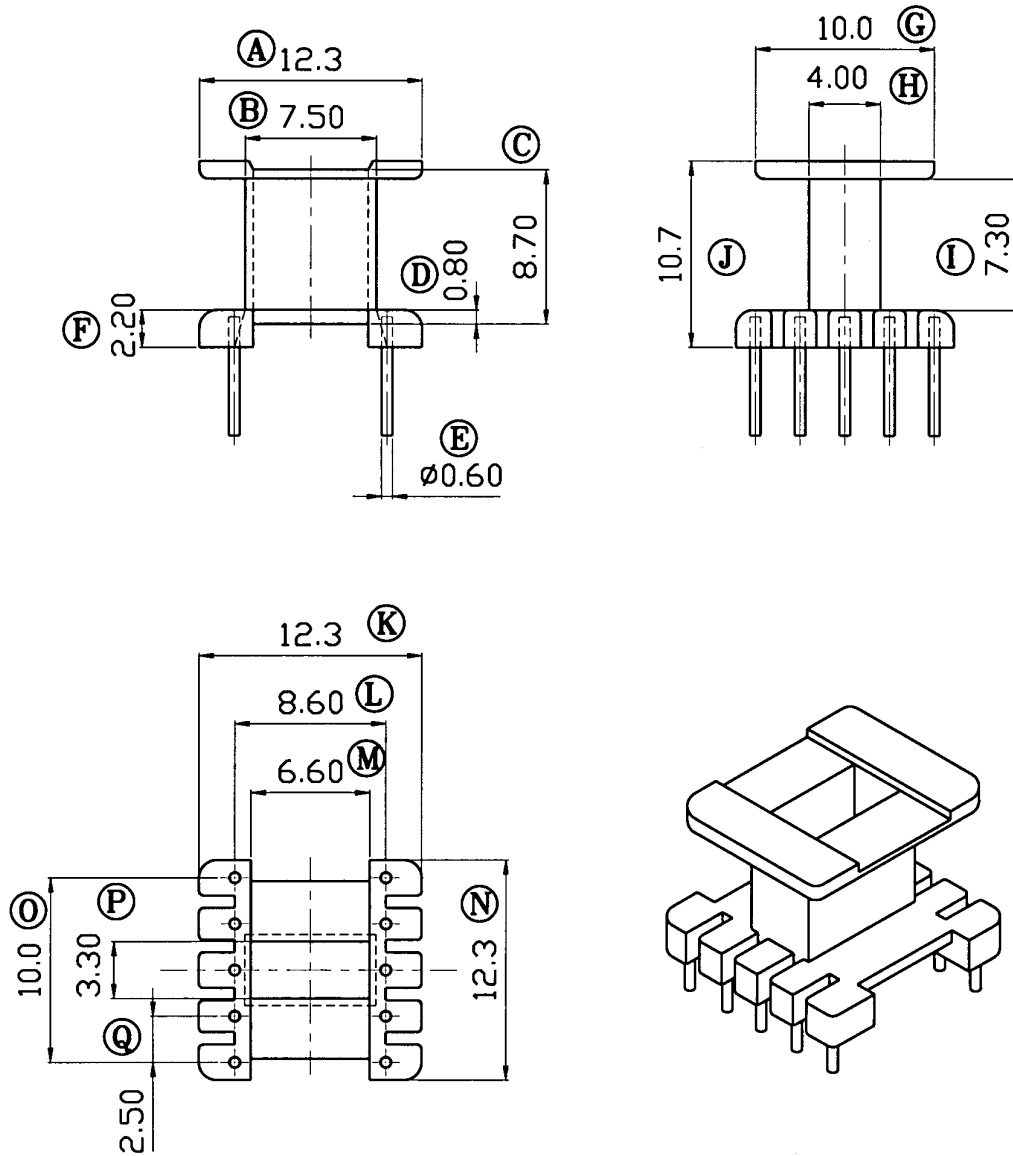


BOBBIN
STYLE : EE-13 (10P)

FIGURE :

T1301



MATERIAL : PHENOLIC
 PIN MATERIAL : CP WIRE
 UL RECOGNITION : 94V-0
 UNIT : MM
 TOLERANCE : X.XX : +/- 0.2 MM
 X.X : +/- 0.3 MM

FAR EAST ELECTRONICS
 G/F., NO. 9D Greeson Street, Wan Chai, Hong Kong
 Fax: (852) 2529-5804 E-mail: info@electron.com.hk