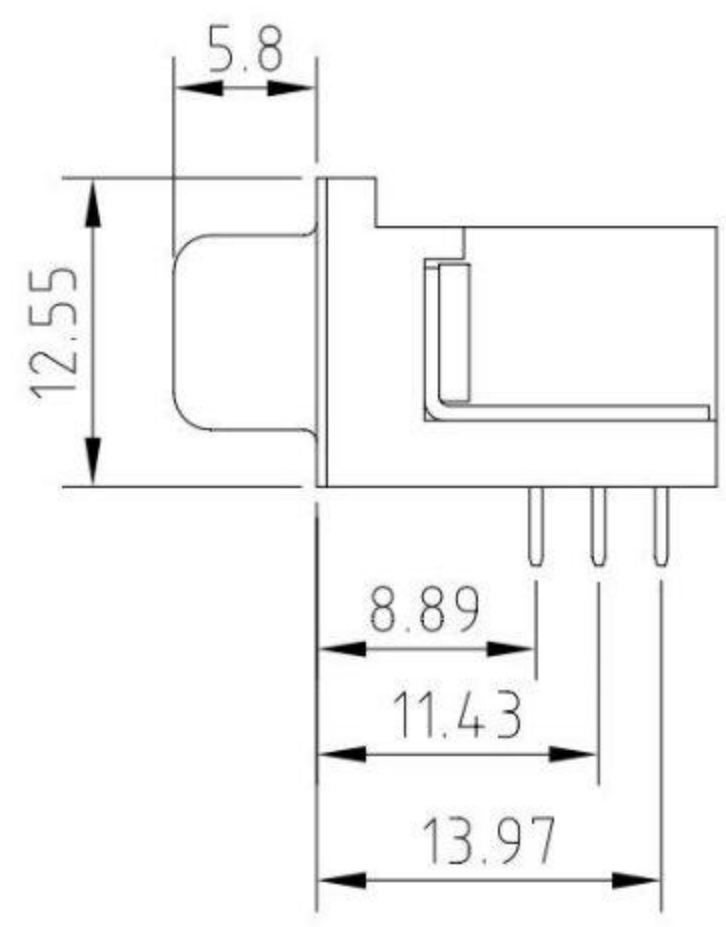
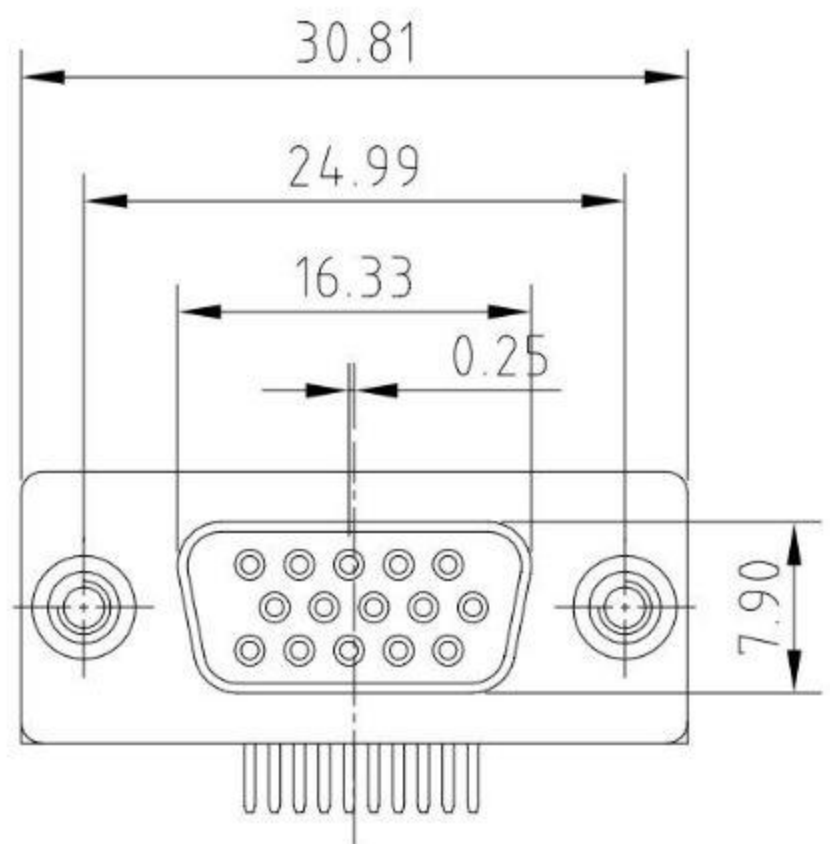


1 2 3 4 5 6 7 8

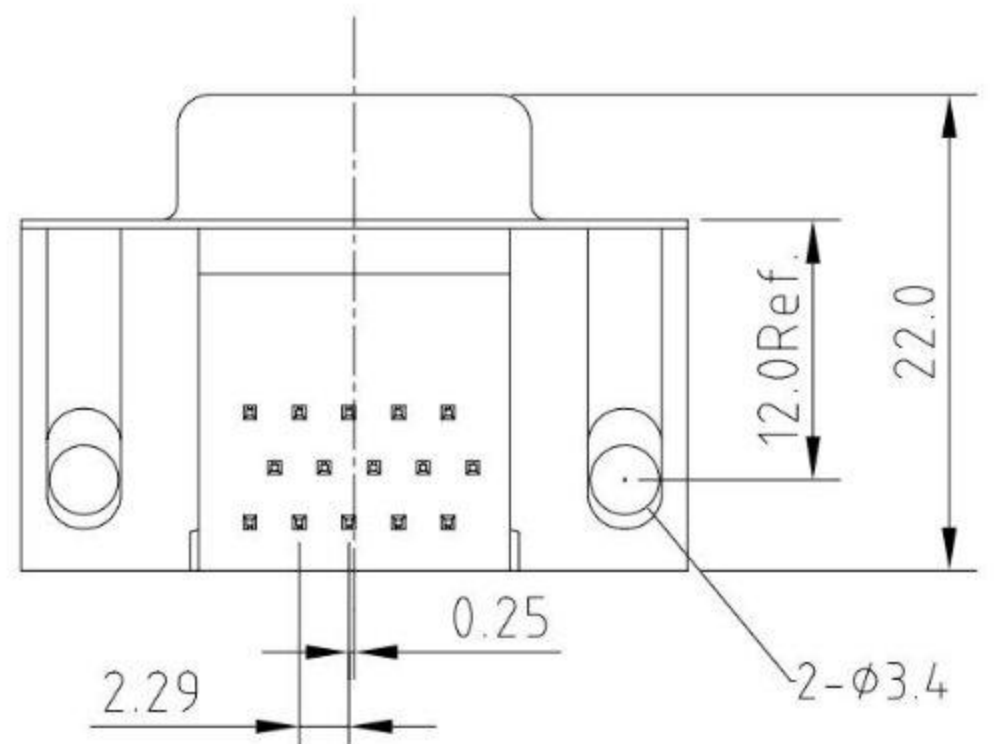
A  
B  
C  
D  
E  
F  
G  
H

A  
B  
C  
D  
E  
F  
G  
H



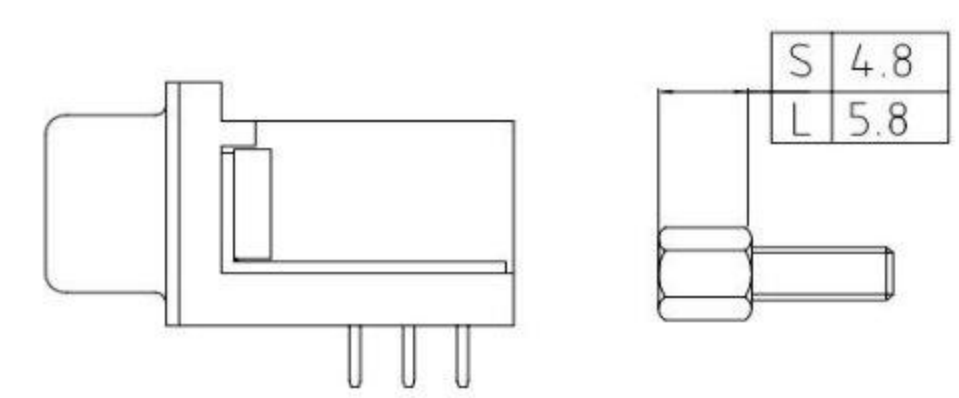
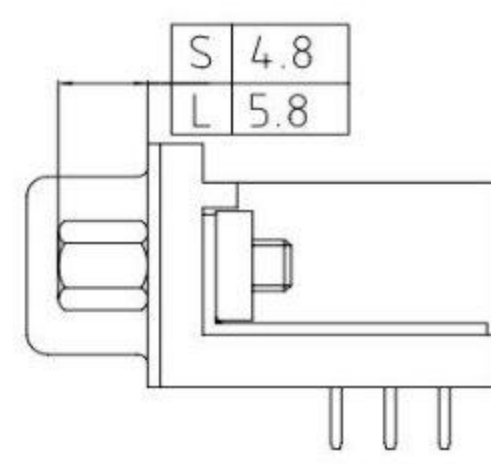
**ELECTRICAL CHARACTERISTICS**  
 Contact Current Rating: 3Amperes.  
 Dielectric Withstanding Voltage: AC 500V at sea level  
 Insulation Resistance: 1000Megohms Min.  
 Contact Resistance: 25Milliohms Max.  
 Operation Temperature : -55°C to +105°C.

**Material**  
 Contact :Copper Alloy.  
 Insulator:PBT.  
 Shell: SPCC.  
 L-Piece: Fe. Or. Copper Alloy.  
 Screw: Copper Alloy.  
 Rivet: Copper Alloy. or Zinc.

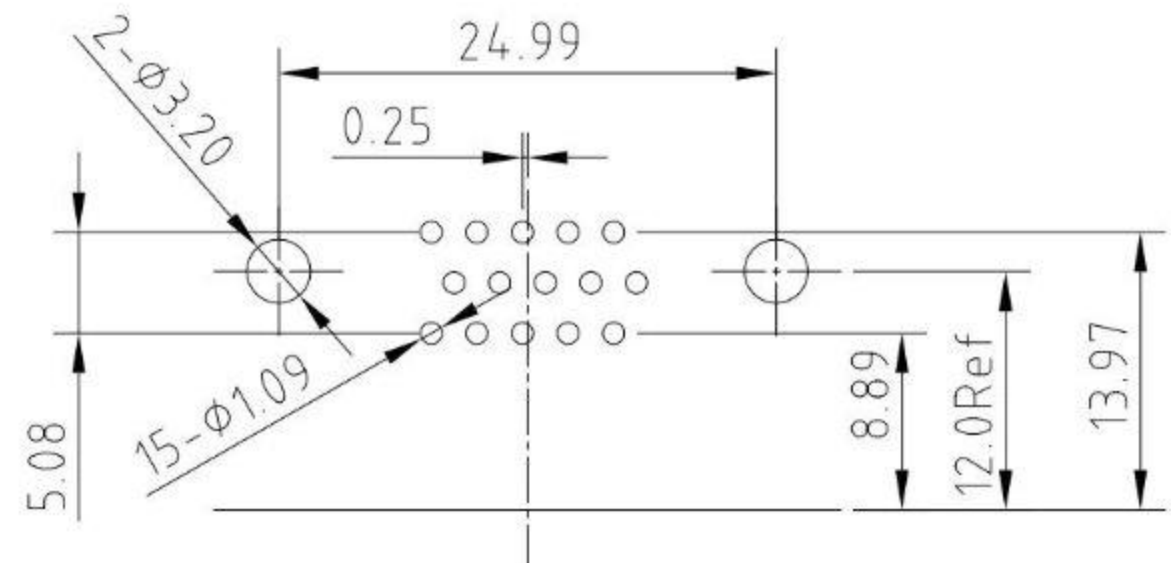


C0562-XXFECXXXXR  
 C0562-XXFEEXXXXXR

C0562-XXFEBXXXXR  
 C0562-XXFEDXXXXR



RECOMMEND P.C.B. LAYOUT



RoHS Compliant		<b>HSM</b> 玄茂科技股份有限公司 HSUAN MAO TECHNOLOGY CO., LTD.	
APPD. 核准 BETTY		TOLERANCE .X ±0.30 .XX ±0.25 .XXX ±0.150 Ang. ±2°	PART NAME 品名 HING DENSITY D-SUB PCB RIGHT ANGLE STAMPED PIN XXP FEMALE RIVET W/ NON THREAD L-SHAPE ROHS
DWG. 製圖 KAREN	SCALE 比例 參考	SIZE. 紙張尺寸 A4	PART NO. 料號 C0562-XXFEEXXXXXR
DATE 制表日 2012/10/22	UNIT 單位 MM	PAGE 張數 1 OF 1	

1 2 3 4 5 6 7 8