

| REV. | DESCRIPTION | DRAWN | CHECKED | APPROVED |
|------|--------------------|---------------|---------|---------------|
| A | NEW RELEASE | LJH 09/20/05' | ~ | LJC 09/20/05' |
| B | 料号中增加尺寸DIM. H, E选项 | YCH 07/18/08' | ~ | LJC 07/18/08' |
| C | ADD P/N CODE | YCH 12/02/13' | ~ | LJC 12/02/13' |
| D | ADD P/N CODE | JLZ 07/25/14' | ~ | |

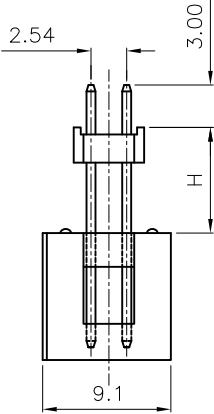
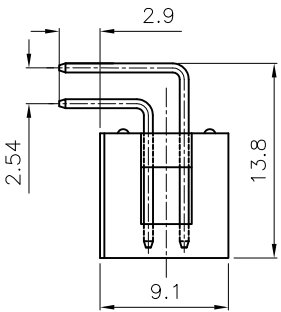
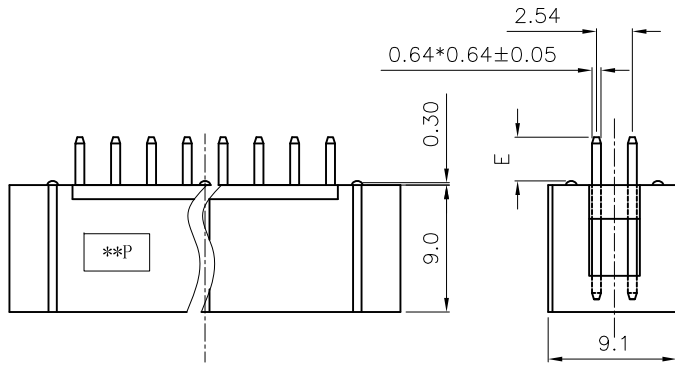
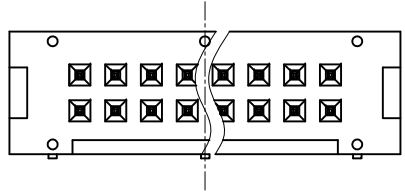
NOTES:

- ELECTRICAL CHARACTERISTICS:
 - CONTACT RESISTANCE: 20mΩ Max. INITIAL.
 - DIELECTRIC WITHSTANDING VOLTAGE: 500V AC(rms) FOR 1 MINUTE.
 - INSULATION RESISTANCE: 1000MΩ Min.
- ENVIRONMENT CHARACTERISTICS:

TEMPERATURE RANGE: -40°C~+105°C.
- PRODUCT NUMBER CODE:

DS1013- X X X X X X - X - X

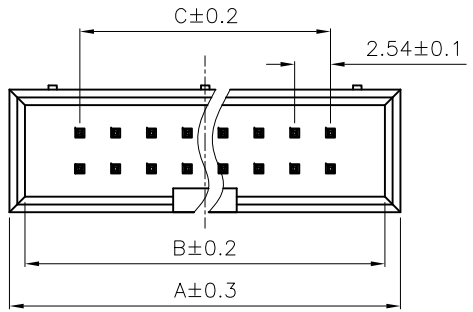
- HOUSING MATERIAL
 - 0: PBT UL94 V-0
 - 2: PBT UL94 HB
 - 4: PA-46
- PLATING LEVEL(FOR GOLD ONLY) ©
 - 3A: 0.8-1.2u"
 - B: LEVEL B
 - N: LEVEL N
- DIM. H TYPE (FOR ELEVATOR ONLY)
 - 1: 7.50
 - 2: 9.50
- DIM. E TYPE (FOR V/T ONLY)
 - 1: 3.10
 - 2: 8.00
- HOUSING COLOR
 - B: BLACK
 - W: WHITE
 - U: BLUE
 - A: GRAY
- CONTACT PLATING
 - Si: FULL GOLD FLASH
- MOUNTING TYPE
 - S: V/T TYPE
 - R: R/A TYPE
 - E: Elevator TYPE
- No.OF CONTACTS
 - 06 08 10 14 16 20 24
 - 26 30 34 40 50 60 64



V/T TYPE

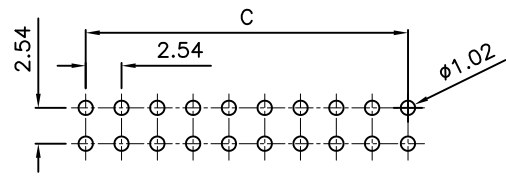
R/A TYPE

Elevator TYPE



Dimension

| Position | A | B | C | | | | |
|----------|-------|-------|-------|----|-------|-------|-------|
| ① 06 | 15.22 | 13.02 | 5.08 | | | | |
| ① 08 | 17.76 | 15.56 | 7.62 | | | | |
| 10 | 20.30 | 18.10 | 10.16 | 30 | 45.70 | 43.50 | 35.56 |
| 12 | 22.84 | 20.64 | 12.70 | 34 | 50.78 | 48.58 | 40.64 |
| 14 | 25.38 | 23.18 | 15.24 | 40 | 58.40 | 56.20 | 48.26 |
| 16 | 27.92 | 25.72 | 17.78 | 50 | 71.10 | 68.90 | 60.96 |
| 20 | 33.00 | 30.80 | 22.86 | 60 | 83.80 | 81.60 | 73.66 |
| 26 | 40.62 | 38.42 | 30.48 | 64 | 88.88 | 86.68 | 78.74 |



RECOMMEND PCB LAYOUT(TOLERANCE=±0.05)

| GENERAL TOLERANCE | | ANGLE TOLERANCE | |
|-------------------|-------|-----------------|-----|
| X. | ±0.60 | X. | ±5° |
| .X | ±0.38 | .X | ±3° |
| .XX | ±0.25 | .XX | ±2° |

| PROJECTION | TITLE | 2.54mm BOX HEADER | |
|------------|-------|--------------------------|---------------|
| UNITS | mm | R/A, V/T & ELEVATOR TYPE | |
| SHEET SIZE | A4 | SERIES | DS1013 SERIES |

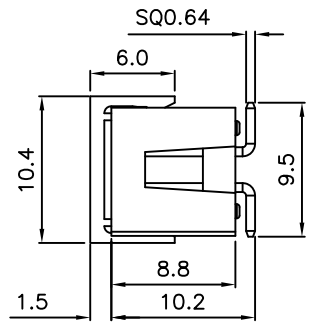
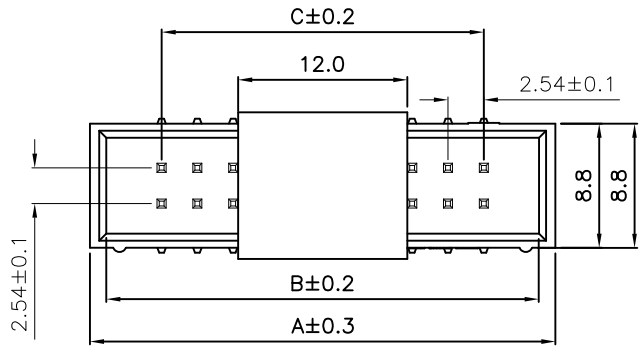
| DRAWING TYPE | CUSTOMER | | |
|--------------|---------------------|-------|--------|
| SCALE | 1:1 | SHEET | 1 OF 1 |
| DRAWING NO. | C-DS1013-XXXX-X-X-D | | |

CONNFLY® **晨翔电子有限公司**
CONNFLY ELECTRONIC CO., LTD

| REV. | DESCRIPTION | DRAWN | CHECKED | APPROVED |
|------|--------------|---------------|---------|---------------|
| A | NEW RELEASE | LJH 09/20/05' | ~ | YCH 09/20/05' |
| B | ADD P/N CODE | YCH 12/02/13' | ~ | |
| | | | | |
| | | | | |

NOTES:

- ELECTRICAL CHARACTERISTICS:
 - CONTACT RESISTANCE: 20mΩ Max. INITIAL.
 - DIELECTRIC WITHSTANDING VOLTAGE: 500V AC(rms) FOR 1 MINUTE.
 - INSULATION RESISTANCE: 1000MΩ Min.
- ENVIRONMENT CHARACTERISTICS:
 - TEMPERATURE RANGE: -45°C~+105°C.
- PRODUCT NUMBER CODE:



Dimension

| Position | A | B | C |
|----------|-------|-------|-------|
| 10 | 20.30 | 18.10 | 10.16 |
| 12 | 22.84 | 20.64 | 12.70 |
| 14 | 25.38 | 23.18 | 15.24 |
| 16 | 27.92 | 25.72 | 17.78 |
| 20 | 33.00 | 30.80 | 22.86 |
| 26 | 40.62 | 38.42 | 30.48 |
| 30 | 45.70 | 43.50 | 35.56 |
| 34 | 50.78 | 48.58 | 40.64 |
| 40 | 58.40 | 56.20 | 48.26 |
| 50 | 71.10 | 68.90 | 60.96 |
| 60 | 83.80 | 81.60 | 73.66 |
| 64 | 88.88 | 86.68 | 78.74 |

DS1013- X X X X - X

Ⓟ PLATING LEVEL(FOR GOLD ONLY)
 3A: 0.8-1.2u"
 B: LEVEL B

PACKING TYPE
 A: TUBE
 R: TAPE ON REEL
 T: TRAY

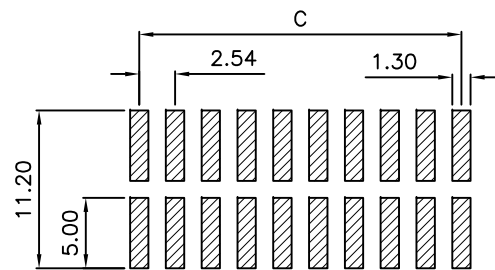
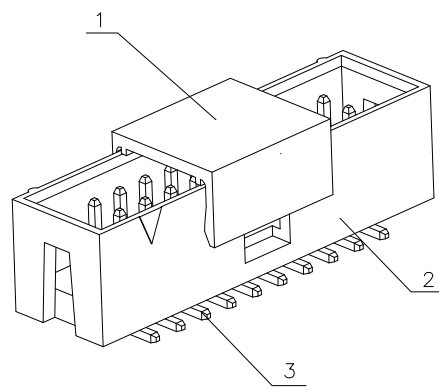
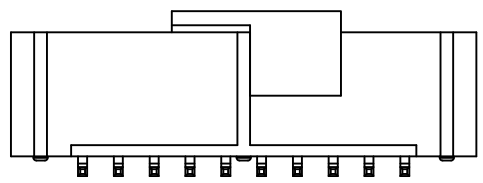
PICK UP SUPPORT
 S: W/ PICK UP
 X: W/O PICK UP

CONTACT PLATING
 Si: FULL GOLD FLASH

MOUNTING TYPE
 M: SMT TYPE

No.OF CONTACTS
 06 08 10 14 16
 20 26 30 34
 40 50 60 64

SERIES No.
 DS1013



RECOMMEND PCB LAYOUT
TOLERANCE=±0.05

| GENERAL TOLERANCE | | ANGLE TOLERANCE | |
|-------------------|-------|-----------------|-----|
| X. | ±0.60 | X. | ±5° |
| .X | ±0.38 | .X | ±3° |
| .XX | ±0.25 | .XX | ±2° |

| | | | |
|------------|----|--------|-------------------|
| PROJECTION | | TITLE | 2.54mm BOX HEADER |
| UNITS | mm | | SMT TYPE |
| SHEET SIZE | A4 | SERIES | DS1013 SERIES |

| ITEM | PART NAME | PART NO. | MATERILAS | FINISHED |
|------|-----------|----------|--------------|--------------------------|
| 3 | CONTACT | | COPPER ALLOY | GOLD FLASH |
| 2 | HOUSING | | PA-9T | RoHS II & REACH,UL94 V-0 |
| 1 | PICK UP | | PA-9T | RoHS II & REACH,UL94 V-0 |

| | |
|--------------|---------------------|
| DRAWING TYPE | CUSTOMER |
| SCALE | 1:1 |
| SHEET | 1 OF 1 |
| DRAWING NO. | C-DS1013-XXMXXX-X-B |

晨翔电子有限公司
CONNFLY® CONNFLY ELECTRONIC CO., LTD