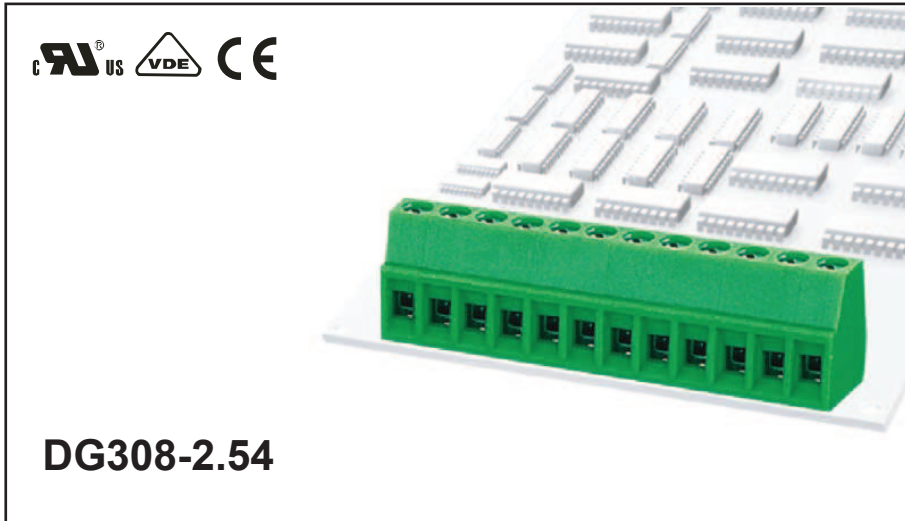


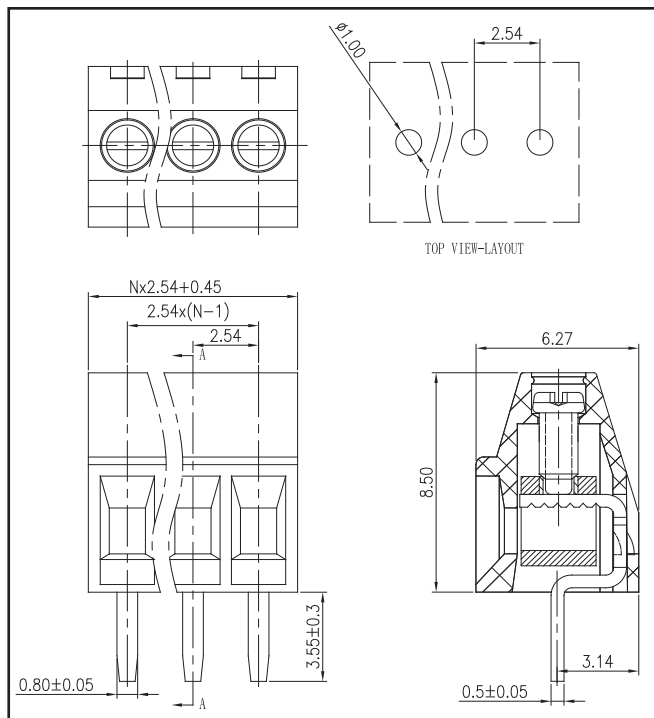


DEGSON ELECTRONICS CO., LTD.

Product Specification

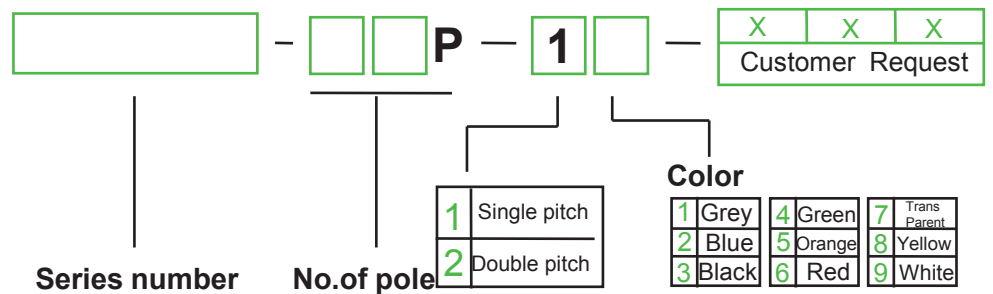


DG308-2.54



APPROVAL		
Electrical		
Standard	UL	IEC
Rated voltage	150V	130V
Rated current	6A	8A
Wire range	26-18AWG	1.0mm ²
Withstanding voltage	AC1250V/1Min	
Menchanical		
Torque	0.1Nm(0.89Lb-In)	
Ambient temperature	-40°C~+105 °C	
Strip length	4.5mm	
Dimensions		
pitch	2.54mm(.100")	
Poles	2P-12P	
Material		
Housing	PA66,UL94V-0	
Screws	M1.6,Steel, Cr ³⁺ Znplated	
Pin header	phosphor bronze ,Tin plated	
Cage	Brass,Ni plated	

HOW TO ORDER :



	DEGSON ELECTRONICS CO., LTD.
	NAME DG308-2.54