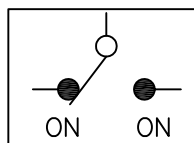
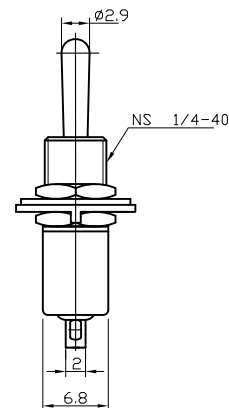
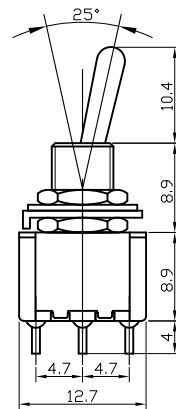
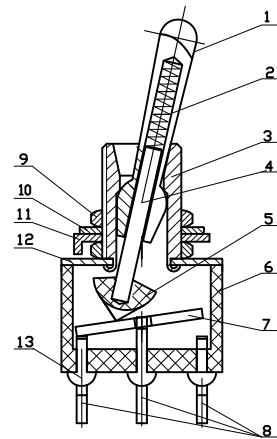


序號	另件名稱PARTS NAME	另件材料 THE PARTS OF MATERIAL	電鍍 ELECTROPLATING	歐洲環保RoHS
1	手柄 Slide Handle	黃銅 Brass	鍍鉻 Plate Chromium	RoHS
2	彈簧 Spring	鋼絲 Steel wire	-----	RoHS
3	軸套 Bushing	黃銅 Brass	鍍鎳 Plate Nickel	RoHS
4	滑杆 Supporting Halt	黃銅 Brass	-----	RoHS
5	滑塊 Sliding Point	膠木粉 Bakelite	-----	RoHS
6	基座 Housing	膠木粉 Bakelite		RoHS
7	動觸片 Movable Plate	黃銅 Brass	鍍銀 Plate Silver	RoHS
8	端子 Terminals	黃銅 Brass	鍍銀 Plate Silver	RoHS
9	螺帽 Nuts	黃銅 Brass	鍍鎳 Plate Nickel	RoHS
10	齒形華司 Zigzag Washer	不銹鋼 Stainless Steel	-----	RoHS
11	固定華司 Fix Washer	不銹鋼 Stainless Steel	-----	RoHS
12	外殼 Steel crust	不銹鋼 Stainless Steel	-----	RoHS
13	環氧膠 Epoxy Seal	5010A/B	-----	RoHS

MS-102-A1: 3P2 ON-ON
牙長: 8.9mm
柄長: 10.4mm

MS-101-A1:2P2 ON-OFF
MS-111-A1:2P OFF-(ON)
MS-112-A1:3P ON-(ON)
MS-103-A1:3P3 ON-OFF-ON
MS-113-A1:3P3單彈 ON-OFF-(ON)
MS-123-A1:3P3雙彈 (ON)-OFF-(ON)

SPDT



Circuit Diagram

Specification

1. Rating: 2A 250V AC ; 5A 125V AC
2. Contact R: 20mΩ Max
3. Insulation R: DC500V 1000MΩ Min
4. Dielectric strength: 1500V AC, 1 minute
5. Electrical life: 10,000 Cycles

同利企業有限公司
TELE LONG ENTERPRISE CO.,LTD
E-mail: rayyang@seed.net.tw
FAX: 886-6-2530232

DWN	CHUN	03	14	11
CHECK	YANG			
APPD	RAY			

ITEM NO.	MS-102-A1
TITLE	Miniature Toggle Switch
DWG NO.	MS-102-A1-CN34-B2

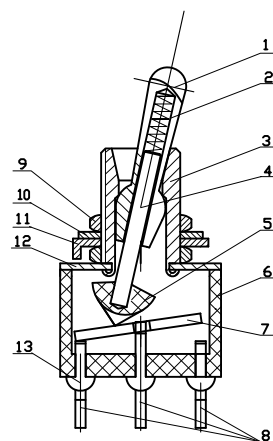
序號	另件名稱 PARTS NAME	另件材料 THE PARTS OF MATERIAL	電鍍 ELECTROPLATING	歐洲環保RoHS No
1	手柄 Slide Handle	黃銅 Brass	鍍鉻 Plate Chromium	RoHS
2	彈簧 Spring	鋼絲 Steel wire	-----	RoHS
3	軸套 Bushing	黃銅 Brass	鍍鎳 Plate Nickel	RoHS
4	滑杆 Supporting Halt	黃銅 Brass	-----	RoHS
5	滑塊 Sliding Point	膠木粉 Bakelite	-----	RoHS
6	基座 Housing	膠木粉 Bakelite	-----	RoHS
7	動觸片 Movable Plate	黃銅 Brass	鍍銀 Plate Silver	RoHS
8	端子 Terminals	黃銅 Brass	鍍銀 Plate Silver	RoHS
9	螺帽 Nuts	黃銅 Brass	鍍鎳 Plate Nickel	RoHS
10	齒形華司 Zigzag Washer	不銹鋼 Stainless Steel	-----	RoHS
11	固定華司 Fix Washer	不銹鋼 Stainless Steel	-----	RoHS
12	外殼 Steel crust	不銹鋼 Stainless Steel	-----	RoHS
13	環氧膠 Epoxy Seal	5010A/B	-----	RoHS

MS-102-C1: 3P2 ON-ON

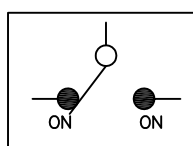
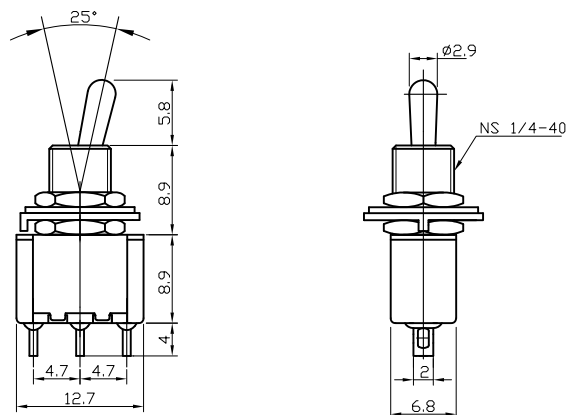
牙長: 8.9mm

柄長: 5.8mm

MS-101-C1: 2P2 ON-OFF
MS-111-C1: 2P OFF-(ON)
MS-112-C1: 3P ON-(ON)
MS-103-C1: 3P3 ON-OFF-ON
MS-113-C1: 3P3單彈 ON-OFF-(ON)
MS-123-C1: 3P3雙彈 (ON)-FF-(ON)



SPDT



Circuit Diagram

Specification

1. Rating: 2A 250V AC ; 5A 125V AC
2. Contact R: 20mΩ Max
3. Insulation R: DC500V 1000M Ω Min
4. Dielectric strength: 1500V AC, 1minute
5. Electrical life: 10,000 Cycles

同利企業有限公司
TELE LONG ENTERPRISE CO.,LTD
E-mail: rayyang@seed.net.tw
FAX. 886-6-2530232

DWN	CHUN	04	08	11	ITEM NO.	MS-102-C1
CHECK	YANG				TITLE	Miniature Toggle Switch
APPD	RAY				DWG NO.	MS-102-C1-CN34-B2

序號	另件名稱 PARTS NAME	另件材料 THE PARTS OF MATERIAL	電鍍 ELECTROPLATING	歐洲環保 RoHS
1	手柄 Slide Handle	黃銅 Brass	鍍鉻 Chromium Plating	RoHS
2	彈簧 Spring	鋼絲 Steel wire	-----	RoHS
3	軸套 Bushing	黃銅 Brass	鍍鎳 Nickel Plating	RoHS
4	滑杆 Supporting Halt	黃銅 Brass	-----	RoHS
5	滑塊 Sliding Point	膠木粉 Bakelite	-----	RoHS
6	基座 Housing	膠木粉 Bakelite	-----	RoHS
7	動觸片 Movable Plate	黃銅 Brass	鍍銀 Silver Plating	RoHS
8	端子 Terminals	黃銅 Brass	鍍銀 Silver Plating	RoHS
9	螺帽 Nuts	黃銅 Brass	鍍鎳 Nickel Plating	RoHS
10	齒形華司 Zigzag Washer	不銹鋼 Stainless Steel	-----	RoHS
11	固定華司 Fix Washer	不銹鋼 Stainless Steel	-----	RoHS
12	外殼 Steel crust	不銹鋼 Stainless Steel	-----	RoHS
13	環氧膠 Epoxy Seal	5010A/B	-----	RoHS

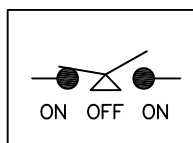
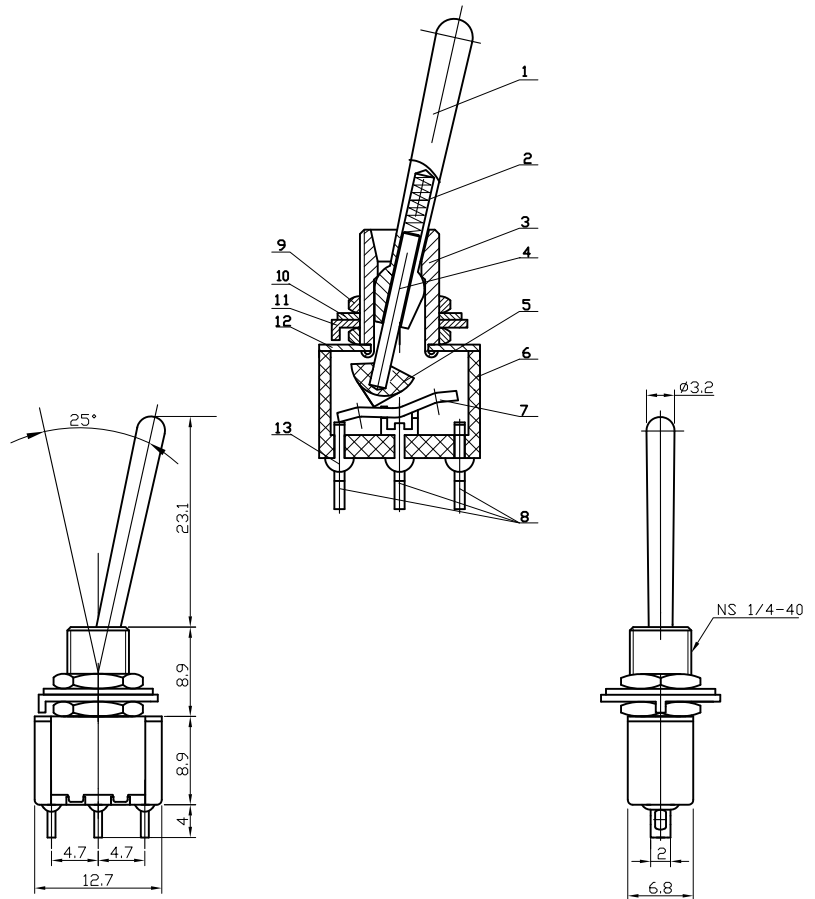
MS-103-B1: 迷你3P3

牙長: 8.9mm

柄長: 23.1mm

- MS-101-B1: 2P2 ON-OFF
- MS-111-B1: 2P OFF-(ON)
- MS-112-B1: 3P ON-(ON)
- MS-103-B1: 3P3 ON-OFF-ON
- MS-113-B1: 3P3單彈 ON-OFF-(ON)
- MS-123-B1: 3P3雙彈 (ON)-OFF-(ON)

SPDT



Circuit Diagram

Specification

- 1. Rating: 2A 250V AC ; 5A 125V AC
- 2. Contact R: 20mΩ Max
- 3. Insulation R: DC500V 1000MΩ Min
- 4. Dielectric strength: 1500V AC, 1minute
- 5. Electrical life: 10,000 Cycles

同利企業有限公司
TELE LONG ENTERPRISE CO.,LTD
E-mail: rayyang@seed.net.tw

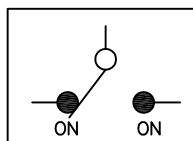
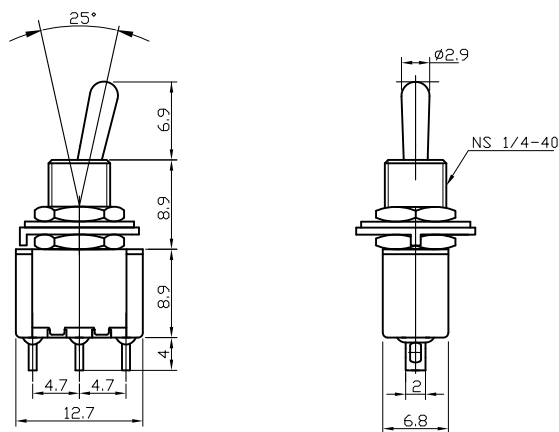
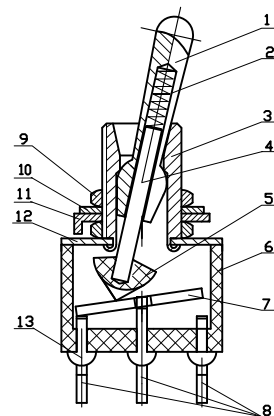
DWN	CHUN	04	08	11	ITEM NO.	MS-103-B1
CHECK	YANG				TITLE	Miniature Toggle Switch
APPD	RAY				DWG NO.	MS-103-B1-CN34-B2

序號	另件名稱 PARTS NAME	另件材料 THE PARTS OF MATERIAL	電鍍 ELECTROPLATING	歐洲環保 RoHS No
1	手柄 Slide Handle	黃銅 Brass	鍍鉻 Chromium Plating	RoHS
2	彈簧 Spring	鋼絲 Steel wire	-----	RoHS
3	軸套 Bushing	黃銅 Brass	鍍鎳 Nickel Plating	RoHS
4	滑杆 Supporting Halt	黃銅 Brass	-----	RoHS
5	滑塊 Sliding Point	膠木粉 Bakelite	-----	RoHS
6	基座 Housing	膠木粉 Bakelite	-----	RoHS
7	動觸片 Movable Plate	黃銅 Brass	鍍銀 Silver Plating	RoHS
8	端子 Terminals	黃銅 Brass	鍍銀 Silver Plating	RoHS
9	螺帽 Nuts	黃銅 Brass	鍍鎳 Nickel Plating	RoHS
10	齒形華司 Zigzag Washer	不銹鋼 Stainless Steel	-----	RoHS
11	固定華司 Fix Washer	不銹鋼 Stainless Steel	-----	RoHS
12	外殼 Steel crust	不銹鋼 Stainless Steel	-----	RoHS
13	環氧膠 Epoxy Seal	5010A/B	-----	RoHS

MS-102-C1/6.9: 3P2 ON-ON
牙長: 8.9mm
柄長: 6.9mm

- MS-101-C1/6.9: 2P2 ON-OFF
- MS-111-C1/6.9: 2P OFF-(ON)
- MS-112-C1/6.9: 3P ON-(ON)
- MS-103-C1/6.9: 3P3 ON-OFF-ON
- MS-113-C1/6.9: 3P3單彈 ON-OFF-(ON)
- MS-123-C1/6.9: 3P3雙彈 (ON)-OFF-(ON)

SPDT



Circuit Diagram

Specification

- 1. Rating: 2A 250V AC ; 5A 125V AC
- 2. Contact R: 20mΩ Max
- 3. Insulation R: DC500V 100MΩ Min
- 4. Dielectric strength: 1500V AC, 1 minute
- 5. Electrical life: 10,000 Cycles

同利企業有限公司
TELE LONG ENTERPRISE CO.,LTD
E-mail: rayyang@seed.net.tw
FAX. 886-6-2530232

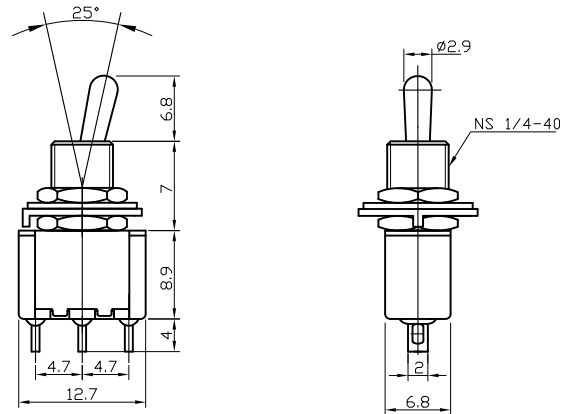
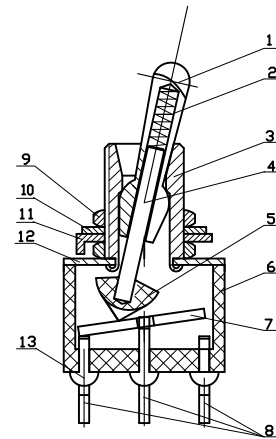
DWN	CHUN	04	08	11	ITEM NO.	MS-102-C1/6.9
CHECK	YANG				TITLE	Miniature Toggle Switch
APPD	RAY				DWG NO.	MS-102-C1/6.9-CN34-B2

序號	另件名稱 PARTS NAME	另件材料 THE PARTS OF MATERIAL	電鍍 ELECTROPLATING	歐洲環保RoHS No
1	手柄 Slide Handle	黃銅 Brass	鍍鉻 Plate Chromium	RoHS
2	彈簧 Spring	鋼絲 Steel wire	-----	RoHS
3	軸套 Bushing	黃銅 Brass	鍍鎳 Plate Nickel	RoHS
4	滑杆 Supporting Halt	黃銅 Brass	-----	RoHS
5	滑塊 Sliding Point	膠木粉 Bakelite	-----	RoHS
6	基座 Housing	膠木粉 Bakelite	-----	RoHS
7	動觸片 Movable Plate	黃銅 Brass	鍍銀 Plate Silver	RoHS
8	端子 Terminals	黃銅 Brass	鍍銀 Plate Silver	RoHS
9	螺帽 Nuts	黃銅 Brass	鍍鎳 Plate Nickel	RoHS
10	齒形華司 Zigzag Washer	不銹鋼 Stainless Steel	-----	RoHS
11	固訂華司 Fix Washer	不銹鋼 Stainless Steel	-----	RoHS
12	外殼 Steel crust	不銹鋼 Stainless Steel	-----	RoHS
13	環氧膠 Epoxy Seal	5010A/B	-----	RoHS

MS-102-C1/6.8: 3P2 ON-ON
牙長: 7mm
柄長: 6.8mm

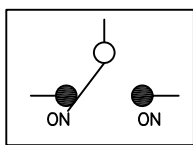
- MS-101-C1/6.8: 2P2 ON-OFF
- MS-111-C1/6.8: 2P OFF-(ON)
- MS-112-C1/6.8: 3P ON-(ON)
- MS-103-C1/6.8: 3P3 ON-OFF-ON
- MS-113-C1/6.8: 3P3單彈 ON-OFF-(ON)
- MS-123-C1/6.8: 3P3雙彈 (ON)-OFF-(ON)

SPDT



Specification

- 1. Rating: 2A 250V AC ; 5A 125V AC
- 2. Contact R: 20mΩ Max
- 3. Insulation R: DC500V 1000MΩ Min
- 4. Dielectric strength: 1500V AC, 1 minute
- 5. Electrical life: 10,000 Cycles

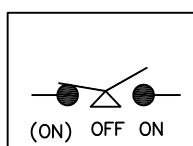
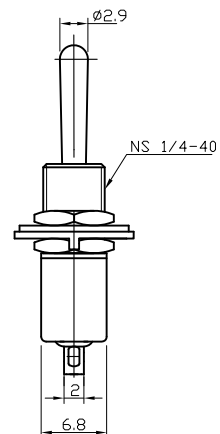
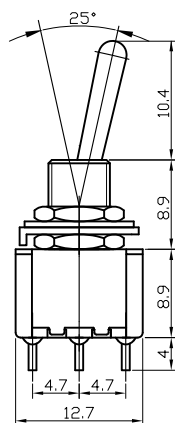
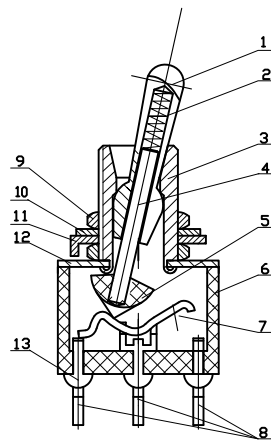


Circuit Diagram

同利企業有限公司 TELE LONG ENTERPRISE CO.,LTD E-mail: rayyang@seed.net.tw FAX. 886-6-2530232	DWN	CHUN	04	08	11	ITEM NO.	MS-102-C1/6.8
	CHECK	YANG				TITLE	Miniature Toggle Switch
	APPD	RAY				DWG NO.	MS-102-C1/6.8-CN34-B2

序號	另件名稱 PARTS NAME	另件材料 THE PARTS OF MATERIAL	電鍍 ELECTROPLATING	歐洲環保RoHS No
1	手柄 Slide Handle	黃銅 Brass	鍍鉻 Chromium Plateing	RoHS
2	彈簧 Spring	鋼絲 Steel wire	-----	RoHS
3	軸套 Bushing	黃銅 Brass	鍍鎳 Nickel Plating	RoHS
4	滑杆 Supporting Halt	黃銅 Brass	-----	RoHS
5	滑塊 Sliding Point	膠木粉 Bakelite	-----	RoHS
6	基座 Housing	膠木粉 Bakelite	-----	RoHS
7	動觸片 Movable Plate	黃銅 Brass	鍍銀 Silver Plating	RoHS
8	端子 Terminals	黃銅 Brass	鍍銀 Silver Plating	RoHS
9	螺帽 Nuts	黃銅 Brass	鍍鎳 Nickel Plating	RoHS
10	齒形華司 Zigzag Washer	不銹鋼 Stainless Steel	-----	RoHS
11	固定華司 Fix Washer	不銹鋼 Stainless Steel	-----	RoHS
12	外殼 Steel crust	不銹鋼 Stainless Steel	-----	RoHS
13	環氧膠 Epoxy Seal	5010A/B	-----	RoHS

MS-113-A1: 3P3單彈 ON-OFF-(ON)
牙長: 8.9mm
柄長: 10.4mm



Circuit Diagram

Specification

1. Rating: 2A 250V AC ; 5A 125V AC
2. Contact R: 20mΩ Max
3. Insulation R: DC500V 1000MΩ Min
4. Dielectric strength: 1500V AC, 1minute
5. Electrical life: 10,000 Cycles

同利企業有限公司
TELE LONG ENTERPRISE CO.,LTD
E-mail: rayyang@seed.net.tw

DWN	CHUN	04	14	11
CHECK	YANG			
APPD	RAY			

ITEM NO.	MS-113-A1
TITLE	Miniature Toggle Switch
DWG NO.	MS-113-A1-CN34-B1