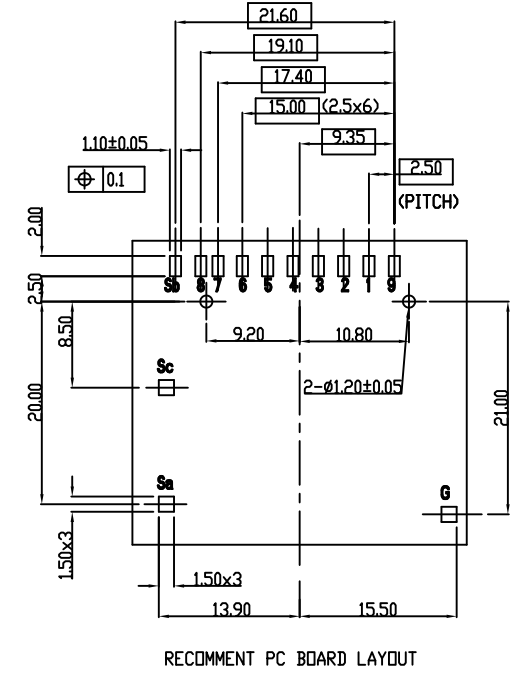
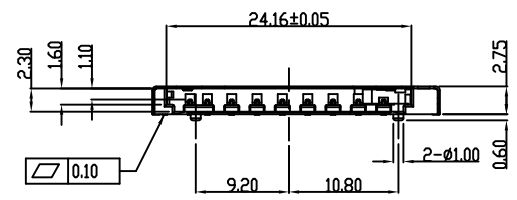
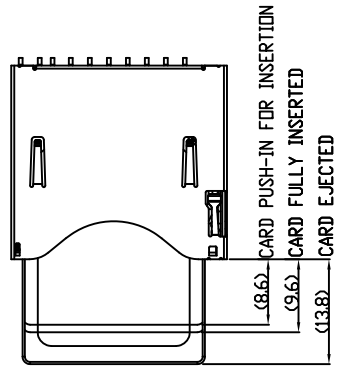
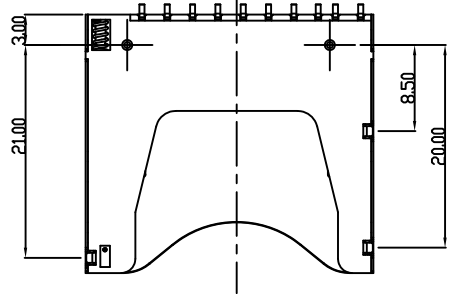
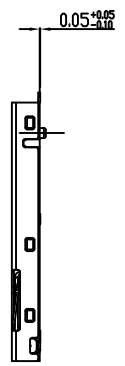


NOTES:
 DATE CODE 0202 (YWWD)
 Y: 0 YEAR(2010)
 WW:20 WEEK(01~52)
 D: 2 DAY(01~07)



ITEM	PART NAME	Q'TY	MATERIAL
1	BODY	1	LCP+35%GF
2	SLIDER	1	LCP+35%GF
3	CONTACT	1	C5210R-EH
4	SWITCH A	1	C5210R-EH
5	SWITCH C	1	C5210R-EH
6	HOLD DOWN	1	C5191R-H
7	SHELL	1	SUS304R-3/4H
8	DRAG LINK	1	SUS
9	SPRING	1	PIAND WIRE

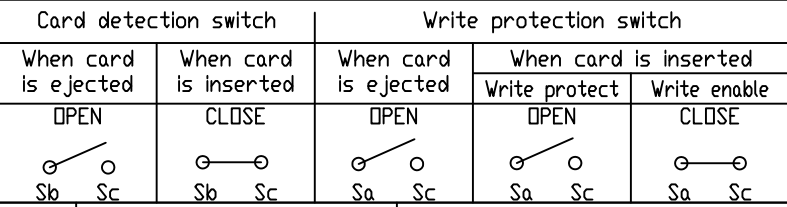
PRODUCT NUMBER:
 104D-T C A 0-R06
 1 2 3

1.Type
 T:Top Mount

2.Contact Plating
 C:10u"Gold Plating

3.Stand Off
 A:0mm

PIN NO.	PIN ASSIGNMENT	PIN NO.	PIN ASSIGNMENT
1	DAT3/CS/CD	8	DAT1
2	CMD	9	DAT2
3	VSS1	Sa	WRITE PROTECTION
4	VDD	Sb	CARD DETECTION
5	CLK	Sc	COMMON SWITCH
6	VSS2	G	GROUND
7	DAT0		

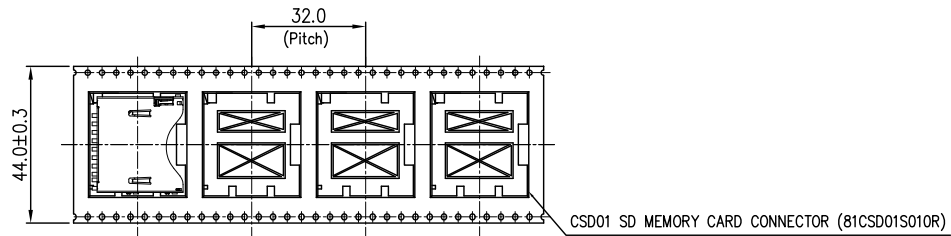


UNLESS OTHERWISE SPECIFIED TOLERANCE		
ANGLES	ANG.	±5°
LINEAR		±0.3
		±0.25
		±0.20
SCALE	AS SHOWN	UNIT: mm
DRAWN	Willis	2014/01/09
CHECKED	Angel	2014/01/09
APPROVED	Ken	2014/01/09



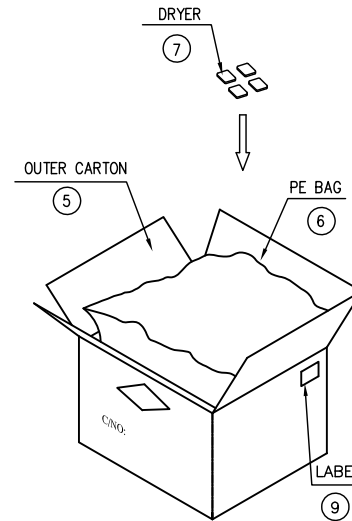
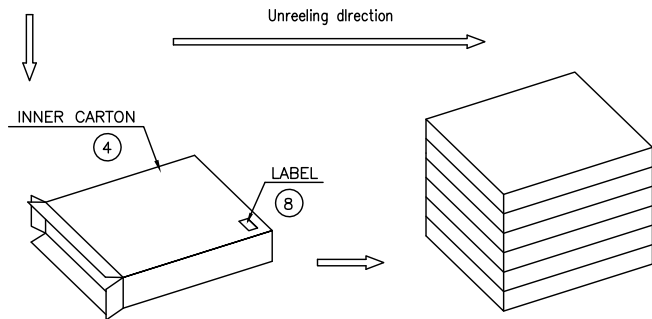
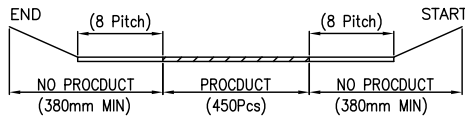
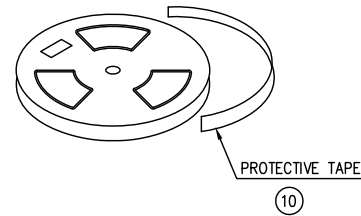
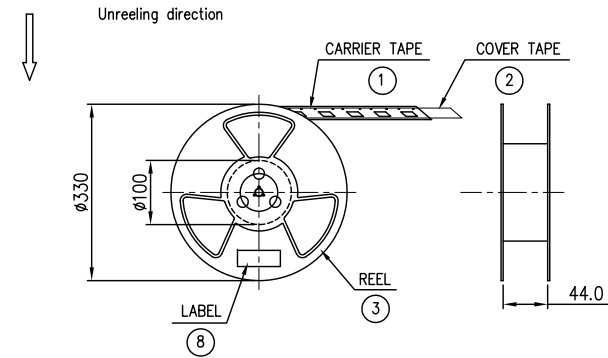
- Revise: [Symbol]
- Revise: [Symbol]
- Revise: [Symbol]

REV.	DESCRIPTION	DATE	REV.	DESCRIPTION	DATE	SIZE	REV.	FILE NAME
1						A4	1.0	104D-TCA0-R06_B_2



NOTES:

- PACKING STYLE 450 PCS/REEL
1 REEL/INNER CARTON
2,700 PCS/OUTER CARTON
- MATERIAL CARRIER TAPE: PS BLACK
COVER TAPE: PET FILM
REEL: PLASTIC
- PEEL STRENGTH OF COVER TAPE: 20-80g (PEEL SPEED 300mm/MINUTE).



NO	PACKING NAME	PART NO.	PCS/T	T/BOX	UNIT	NOTE
10	PROTECTIVE TAPE	53WB071B0011	1		PCS	
9	LABEL	53WG020A0011	1		PCS	
8	LABEL	53WG010A0011	12		PCS	
7	DRYER	53WD010A0011	4		BAG	
6	PE BAG	53WB082A0021	1		PCS	W750*L850mm*0.06mm
5	OUTER CARTON	53WP022A0011	1		PCS	360*360*360mm
4	INNER CARTON	53WP011A0011	6		PCS	340*340*54mm
3	REEL	53WB041B0011	6		SET	φ330*100mm,W=44mm
2	COVER TAPE	53WB061B1011	450	6	PCS	W=37.5mm,15.3M
1	CARRIER TAPE	53WB051B0011			PCS	W=44mm,T=0.4mm,15.3M/REEL

REV.	DESCRIPTION	DATE	REV.	DESCRIPTION	DATE	SIZE	REV.	FILE NAME
1			4			A4	1.0	104D-TCA0-R06_D_1

UNLESS OTHERWISE SPECIFIED TOLERANCE			DRAWN NAME:	
ANGLES	ANG.	±5°	www.attend.com.tw	
LINEAR	0.	±0.3	DRAWN NAME: SD Socket Top Mount, Push-Push Type	
	0.0	±0.25	CHECKED Angel 2014/01/09	
	0.00	±0.20	APPROVED Ken 2014/01/09	
SCALE	AS SHOWN	UNIT: mm	PRODUCT NO.	104D-TCA0-R06
DRAWN	Willis	2014/01/09		



www.attend.com.tw

DRAWN NAME: SD Socket Top Mount, Push-Push Type

PRODUCT NO. 104D-TCA0-R06

FILE NAME 104D-TCA0-R06_D_1