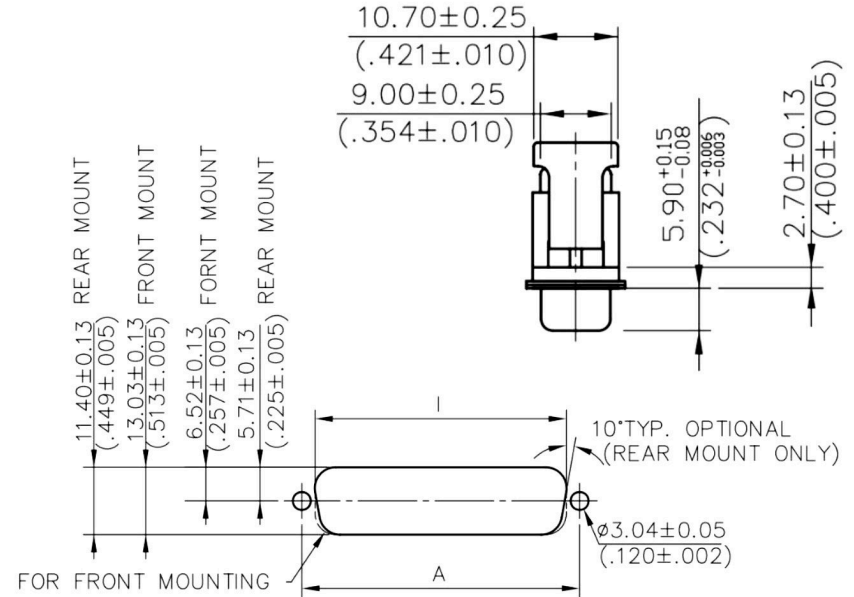
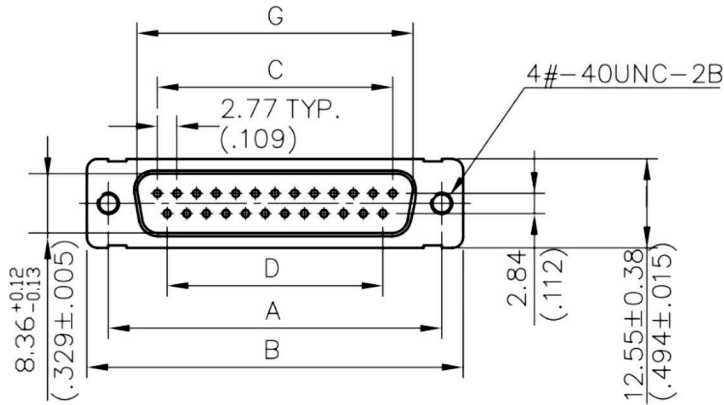
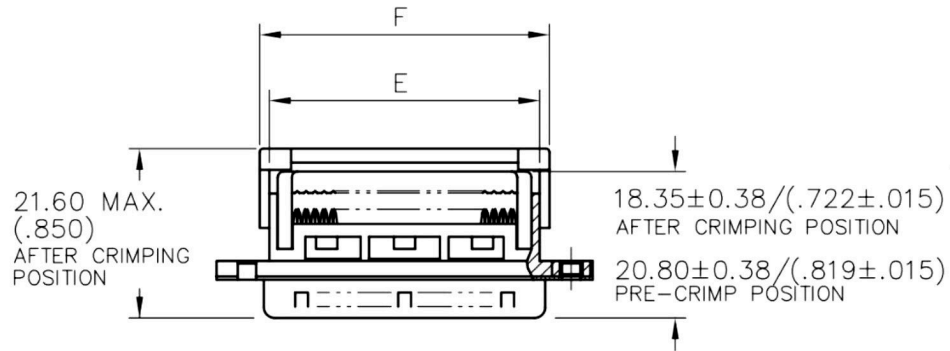
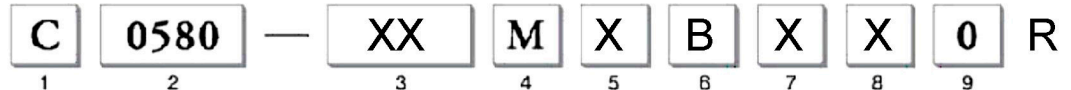


SPECIFICATION :

- .CURRENT RATING : 1 AMP.
- .INSULATOR RESISTANCE : 1000 MΩ MIN. (AT 500 V DC)
- .DIELECTRIC WITHSTANDING VOLTAGE : AC 500 V MIN. (FOR 1 MINUTE)
- .OPERATING TEMPERATURE : -55°C TO 105°C
- .CONTACT RESISTANCE : 15mΩ MAX.
- .INSULATOR MATERIAL : PBT WITH GLASS-FIBER REINFORCED UL 94V-0
- .CONTACT MATERIAL : BRASS
- .CONTACT PLATING : GOLD OVER NICKEL
- .WIRE SIZE : AWG 26 & 28 STRANDED , 1.27mm CONDUCTOR CENTRE FLAT CABLE



RECOMMENDED PANEL CUTOUT DIMENSIONS



- | | | | |
|---|---|--|---|
| <p>1. PRODUCTS:
C:Connector</p> <p>2. SERIES NO.:
0580</p> <p>3. CONTACT NO.:
09,15,25,37</p> <p>4. CONTACT TYPE:
M:Male
F:Female</p> | <p>5. BODY OPTION:
A: Metal Shell W/O S/R
B: Metal Shell W/Metal S/R
C: Metal Shell W/Plastic S/R
D: Plastic Shell W/O S/R
E: Plastic Shell W/Metal S/R
F: Plastic Shell W/Plastic S/R</p> | <p>6. MOUNTING OPTION:
B: Thread Insert
4-40 UNC</p> <p>7. CONTACT PLATING:
S: Selective Gold
G: Gold Flash
A: Gold 5U"
B: Gold 10U"
C: Gold 15U"
D: Gold 30U"</p> | <p>8. INSULATOR COLOR:
B: Black
G: Grey
L: Blue</p> <p>9. FILL IT WITH "0"</p> <p>10. R:ROHS</p> |
|---|---|--|---|

37	63.50/(2.500)	69.40/(2.732)	49.86/(1.963)	47.09/(1.854)	54.60/(2.150)	57.10/(2.248)	55.43/(2.182)	59.08/(2.326)	60.73/(2.391)
25	47.04/(1.852)	53.09/(2.090)	33.24/(1.309)	30.47/(1.200)	38.14/(1.502)	40.90/(1.610)	38.97/(1.534)	42.52/(1.674)	44.27/(1.743)
15	33.32/(1.312)	39.10/(1.539)	19.39/(.763)	16.62/(.654)	24.00/(.945)	26.60/(1.047)	25.25/(.994)	28.80/(1.134)	30.53/(1.202)
9	24.99/(.984)	30.80/(1.212)	11.08/(.436)	8.31/(.327)	16.10/(.634)	18.60/(.732)	16.92/(.666)	20.47/(.806)	22.20/(.874)
NO. OF POSITIONS	±0.13 A (±.005)	±0.25 B (±.010)	±0.13 C (±.005)	±0.13 D (±.005)	±0.25 E (±.010)	±0.25 F (±.010)	±0.13 G (±.005)	±0.13/(.005) REAR MOUNTING	±0.13/(.005) FRONT MOUNTING

<p>RoHS Compliant</p>	<p>HSM 玄茂科技股份有限公司 HSUAN MAO TECHNOLOGY CO., LTD.</p>	
<p>APPD. 核准 HELEN</p> <p>DWG. 製圖 ABBY</p> <p>DATE 制表日 2013/12/24</p>	<p>TOLERANCE 容許公差 ∅ .0 ± .00 ±0.25 ANG. ±1°</p> <p>SCALE 比例 參考</p> <p>UNIT 單位 MM</p> <p>PAGE 張數 1 OF 1</p>	<p>PART NAME 品名 D-SUB IDC TYPE XXP MALE THREAD INSERT 4-40UNC ROHS</p> <p>PART NO. 料號 C0580-XXMXBXXOR</p>