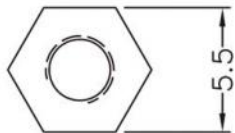
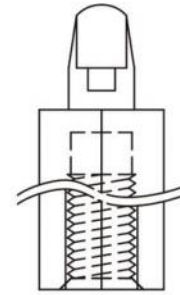
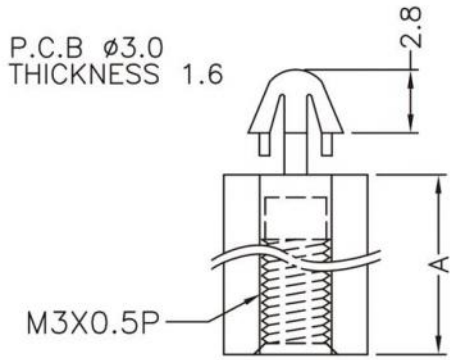


WEBSITE PHOTOS

⚠ This dwg is for reference only, Actual dwg should be based on formal engineering dwg issued by Kang Yang.



A
10.0

All measurement does not include gate which raises under 0.3mm.



ISO 9001
ISO 14001
QC 080000

康揚企業股份有限公司
KANG YANG HARDWARE ENTERPRISE CO., LTD.
康揚塑膠(東莞)有限公司
KANG YANG PLASTIC(DONG GUAN)CO.,LTD.
康哲電腦配件(吳江)有限公司
KANG CHE COMPUTER COMPONENTS(WUJIANG) CO.,LTD.

PART NUMBER		MAE-10T		SPEC. DWG.	
TITLE					
MATERIAL				COLOR	
NYLON 66(UL) 94V-2				NATURAL	
SIZE	SCALE	UNIT	CHECK		
A4	2:1	mm	Z.C		