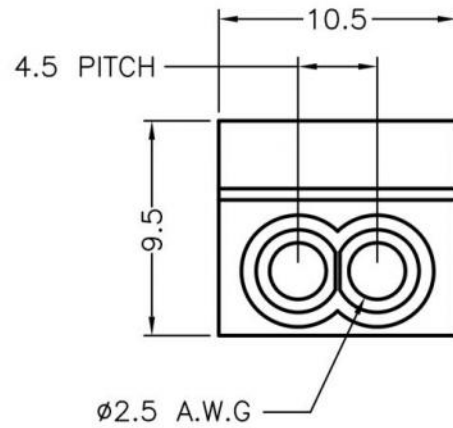
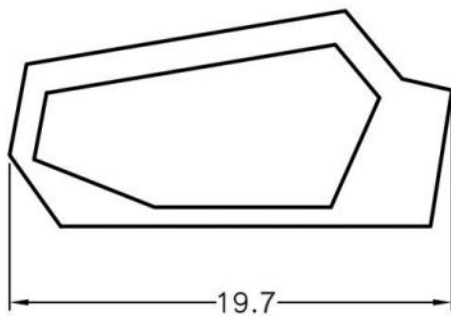


WEBSITE PHOTOS

⚠ This dwg is for reference only, Actual dwg should be based on formal engineering dwg issued by Kang Yang.

NOTE:
 Current:24A(VDE)
 Voltage:600V
 Working temp:110°C
 Wire Range:#12-22 A W G Solid conductor
 Stripping Length:11mm(0.43 inch)
 Color:To distinguish pole number by color.
 Certificate:(UL), (VDE), (Finko), (CE)



ISO 9001
 ISO 14001
 QC 080000

康揚企業股份有限公司
 KANG YANG HARDWARE ENTERPRISE CO., LTD.
 康揚塑膠(東莞)有限公司
 KANG YANG PLASTIC(DONG GUAN)CO.,LTD.
 康哲電腦配件(吳江)有限公司
 KANG CHE COMPUTER COMPONENTS(WUJIANG) CO.,LTD.

PART NUMBER		PC252	SPEC. DWG.	
TITLE				
PUSH-IN WIRE CONNECTOR				
MATERIAL			COLOR	
PA 66 (UL) 94V-2			RED	
SIZE	SCALE	UNIT	CHECK	
A4	2:1	mm	Z.C	