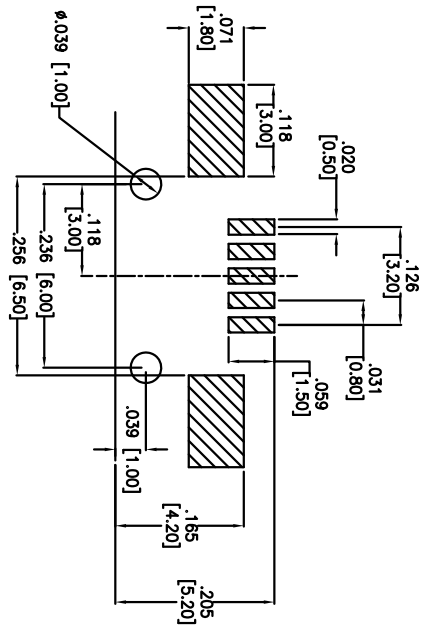
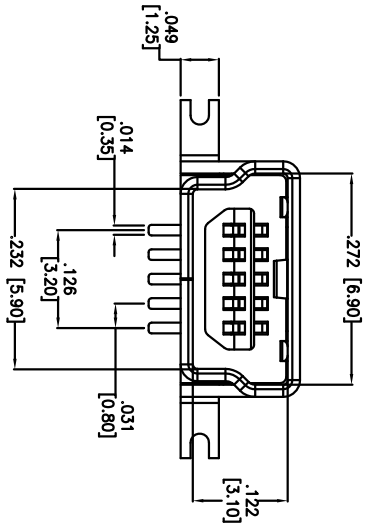
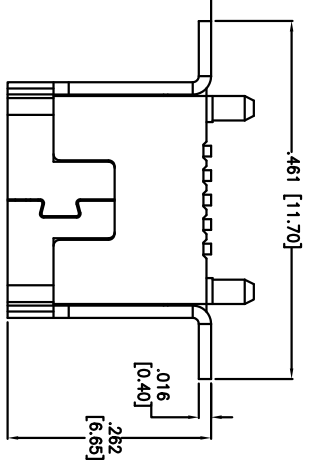
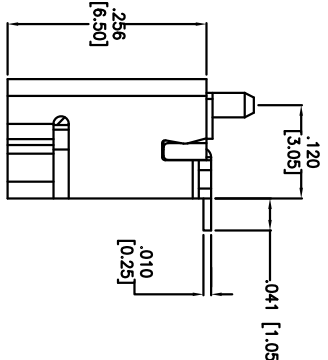
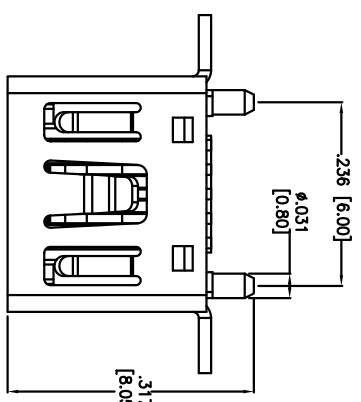


Rev	AWO #	Description	Date	Appr
-		RELEASED	7/13/12	

APPROVED: \_\_\_\_\_  
 DATE: \_\_\_\_\_ TITLE: \_\_\_\_\_



RECOMMENDED PCB LAYOUT

**SPECIFICATIONS:**

- Material:** Insulator: Hi-temp thermoplastic, rated UL 94V-0
- Insulator color:** Black
- Contacts:** Phosphor Bronze
- Shell:** Brass, Nickel Plated
- Plating:** Gold Flash over Nickel underplate on contact area, Tin over Copper underplate on PCB tails
- Electrical:**
  - Current Rating:** 1.0 A AC/DC
  - Voltage Rating:** 30 V AC/DC
  - Contact resistance:** 50 Mohms max
  - Insulation resistance:** 100 Mohms min
  - Dielectric withstanding voltage:** 100 VAC for 1 minute
  - Temperature Rating:** Operating temperature: -25°C to +80°C
- Environmental:** Lead free, RoHS compliant.



UNLESS OTHERWISE SPECIFIED  
 ALL DIMENSIONS ARE MM  
 TOLERANCES: EXCEPT AS NOTED

APPROVALS	DATE
DRAWN AY	7/13/12
CHECKED AH	7/13/12
APPROVED	

**ADAM TECH**  
 909 Rahway Avenue, Union, NJ 07083  
 Phone: 908-687-5000 Fax: 908-687-5710

TITLE	SIZE	PART NO.	REV.
MINI USB, TYPE B, 5PIN, VERTICAL, TRUE SMT	X	MUSB-B5-S-VT-TSMT-1	-

REF: S00126T SCALE: NTS SHEET 1 OF 1