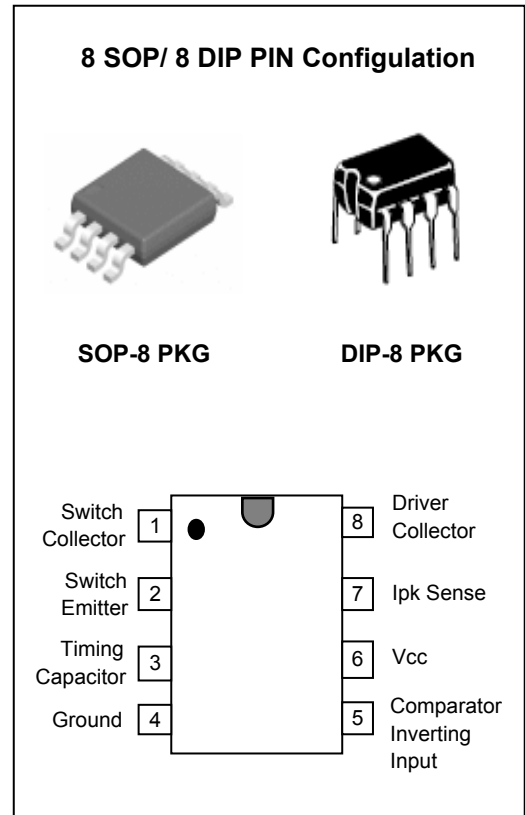


**FEATURES**

- OUTPUT SWITCH CURRENT IN EXCESS OF 1.5A
- 2% REFERENCE ACCURACY
- LOW QUIESCENT CURRENT:2.5mA(TYP.)
- OPERATING FROM 3V TO 40V
- FREQUENCY OPERATION TO 100KHz
- ACTIVE CURRENT LIMITING
- MOISTURE SENSITIVITY LEVEL 3
- MC34063AG is Halogen Free products

**APPLICATION**

- Battery Chargers
- NICs / Switches / Hubs
- ADSL Modems
- Negative Voltage Power Supplies



**ORDERING INFORMATION**

Device	Package
MC34063AD	SOP-8
MC34063AGD	
MC34063AN	DIP-8

**DESCRIPTION**

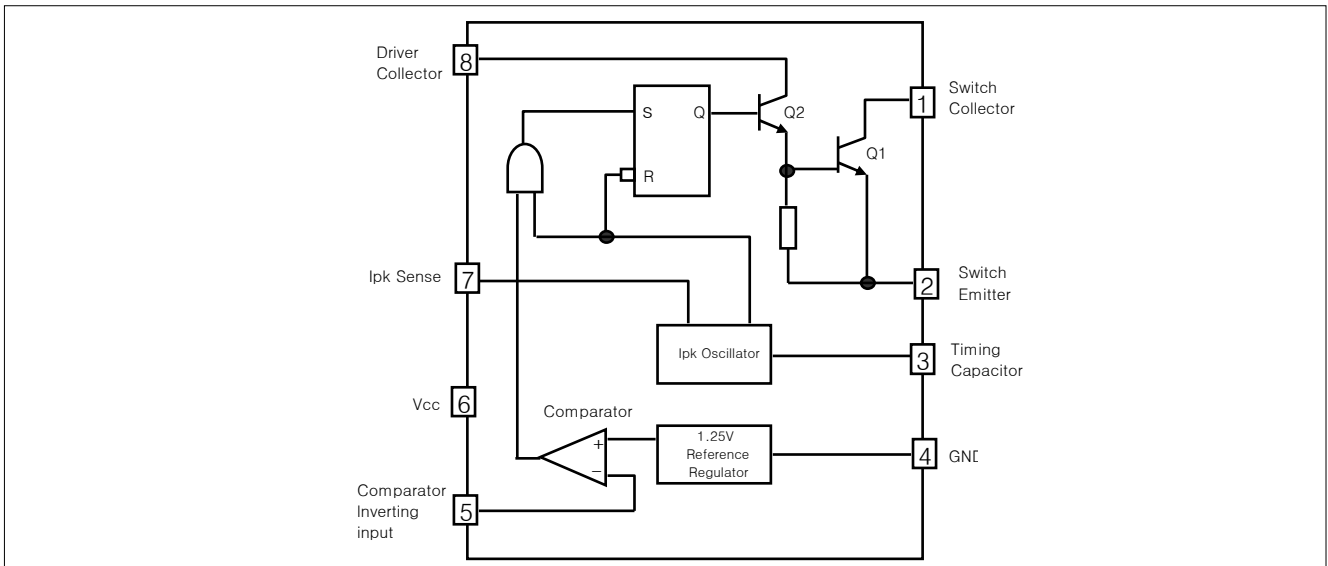
The MC34063A series is a monolithic control circuit delivering the main functions for DC-DC voltage converting.

The device contains an internal temperature compensated reference, comparator, duty cycle controlled oscillator with an active current limit circuit driver and high current output switch.

Output voltage is adjustable through two external resistors with a 2% reference accuracy.

Employing a minimum number of external components the MC34063A devices series is designed for Step-Down, Step-Up and Voltage-Inverting applications.

**BLOCK DIAGRAM**



**THERMAL DATA**

SYMBOL	PARAMETER		DIP-8	SOP-8	UNIT
$R_{thi-amb}$	Thermal Resistance Junction-ambient (*)	Max	100	160	$^{\circ}C/W$

(\*) This Value depends from thermal design of PCB on which the device is mounted.

**ABSOLUTE MAXIMUM RATINGS**

SYMBOL	PARAMETER	VALUE	UNIT
$V_{cc}$	Power Supply Voltage	50	V
$V_{ir}$	Comparator input Voltage Range	-0.3 to 40	V
$V_{SWC}$	Switch Collector Voltage	40	V
$V_{SWE}$	Switch Emitter Voltage ( $V_{SWC}=40V$ )	40	V
$V_{CE}$	Switch Collector to Emitter Voltage	40	V
$V_{dc}$	Driver Collector Voltage	40	V
$I_{dc}$	Driver Collector Current	100	mA
$I_{sw}$	Switch Current	1.5	A
$P_{tot}$	Power Dissipation at $T_{amb}=25^{\circ}C$ (for <b>Plastic Package</b> ) (for <b>SOIC Package</b> )	1.25 0.625	W
$T_{op}$	Operating Ambient Temperature Range	-30 to +125	$^{\circ}C$
$T_{stg}$	Storage Temperature Range	-40 to +150	$^{\circ}C$

Absolute Maximum Rating are those values beyond which damage to the device may occur.

Functional operation under these condition is not implied.

**ELECTRICAL CHARACTERISTICS** (Refer to the test circuits,  $V_{CC}=5V$ ,  $T_a=T_{LOW}$  to  $T_{HIGH}$ , unless otherwise specified, see note 2)

**OSCILLATOR**

SYMBOL	PARAMETER	TEST CONDITIONS	MIN.	TYP.	MAX.	UNIT
$F_{OSC}$	Frequency	$V_{pin5} = 0V, C_T = 1nF, T_a = 25^\circ C$	24	33	42	KHz
$I_{chg}$	Charge Current	$V_{CC} = 5 \text{ to } 40V, T_a = 25^\circ C$	24	35	42	$\mu A$
$I_{dischg}$	Discharge Current	$V_{CC} = 5 \text{ to } 40V, T_a = 25^\circ C$	140	220	260	$\mu A$
$I_{dischg}/I_{chg}$	Discharge to Charge Current Ratio	Pin 7 = $V_{CC}, T_a = 25^\circ C$	5.2	6.5	7.5	
$V_{ipk(sense)}$	Current Limit Sense Voltage	$I_{chg} = I_{dischg}, T_a = 25^\circ C$	250	300	350	mV

**OUTPUT SWITCH**

SYMBOL	PARAMETER	TEST CONDITIONS	MIN.	TYP.	MAX.	UNIT
$V_{CE(sat)}$	Saturation Voltage, Darlington connection	$I_{SW} = 1A, \text{Pins } 1,8 \text{ connected}$		1.0	1.3	V
$V_{CE(sat)}$	Saturation Voltage	$I_{SW} = 1A, R_{pin8} = 82\Omega \text{ to } V_{CC},$ Forced $\beta \sim 20$		0.45	0.7	V
$h_{FE}$	DC Current Gain	$I_{SW} = 1A, V_{CE} = 5V, T_a = 25^\circ C$	50	75		
$I_{C(off)}$	Collector Off-State Current	$V_{CE} = 40V$		0.01	100	$\mu A$

**COMPARATOR**

SYMBOL	PARAMETER	TEST CONDITIONS	MIN.	TYP.	MAX.	UNIT
$V_{th}$	Threshold Voltage	$T_a = 25^\circ C$	1.225	1.25	1.275	V
		$T_a = T_{LOW} \text{ to } T_{HIGH}$	1.21		1.29	V
$Reg_{line}$	Threshold Voltage Line Regulation	$V_{CC} = 3 \text{ to } 40V$		1	5	mV
$I_{IB}$	Input Bias Current	$V_{IN} = 0V$		-5	-400	nA

**TOTAL DEVICE**

SYMBOL	PARAMETER	TEST CONDITIONS	MIN.	TYP.	MAX.	UNIT
$I_{CC}$	Supply Current	$V_{CC} = 5 \text{ to } 40V, C_T = 1nF$ Pin7 = $V_{CC}, V_{pin5} > V_{th}, \text{Pin2} = GND$ Remaining pins open for MC34063A		1.4	4	mA

**Notes:**

- Maximum package power dissipation limit must be observed.
- $T_{LOW} = -30^\circ C, T_{HIGH} = +125^\circ C$
- If Darlington configuration is not used, care must be taken to avoid deep saturation of output switch.

The resulting switch-off time may be adversely affected.

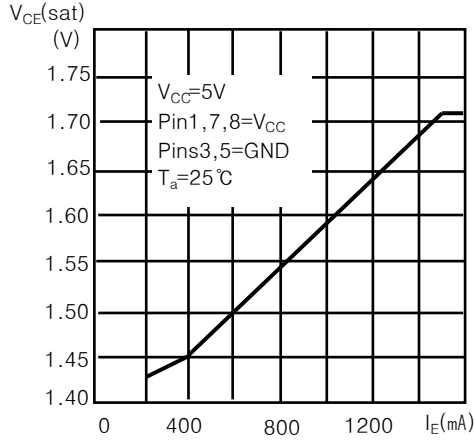
In a Darlington configuration the following output driver condition is suggested:

$$\text{Forced } \beta \text{ of output current switch} = I_{OUTPUT} / (I_{CDRIVER} - 1mA) \geq 10$$

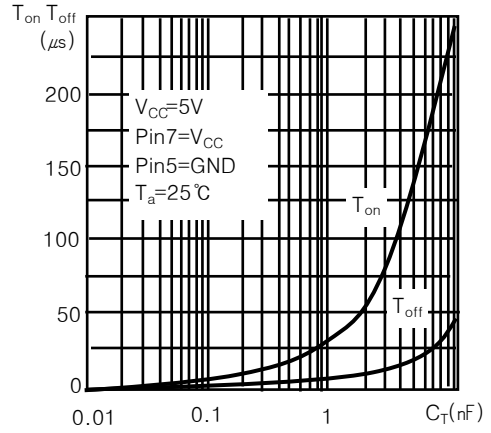
\* Current less due to a built in  $1k\Omega$  antileakage resistor.

TYPICAL ELECTRICAL CHARACTERISTICS

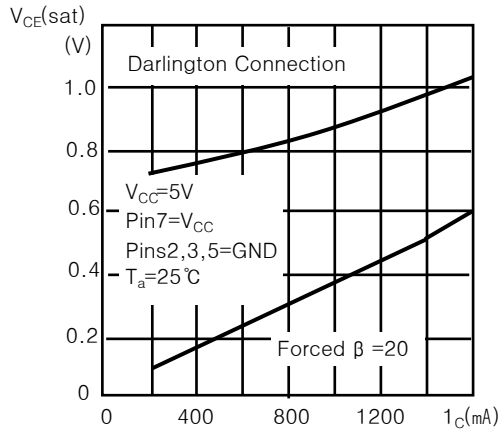
Emitter Follower Configuration Output Saturation Voltage vs Emitter Current



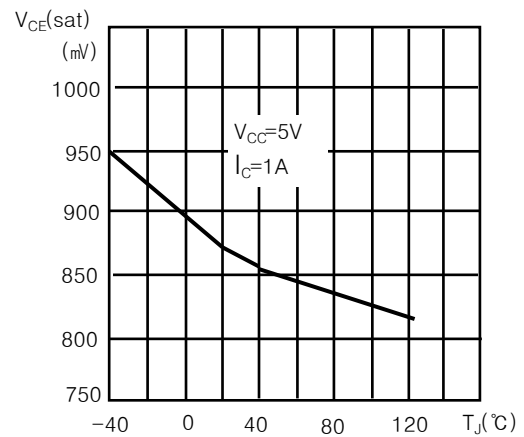
Output Switch ON-OFF Time vs Oscillator Timing Capacitor



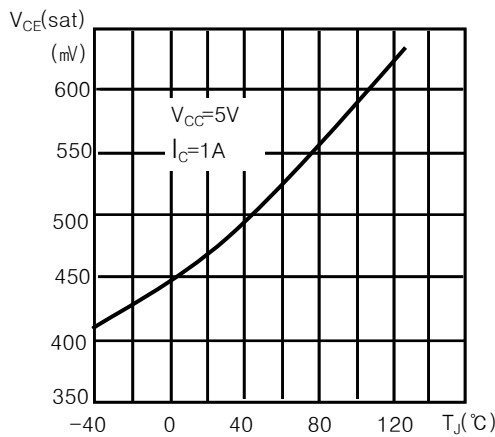
Common Emitter Configuration Output Switch Saturation Voltage vs Collector Current



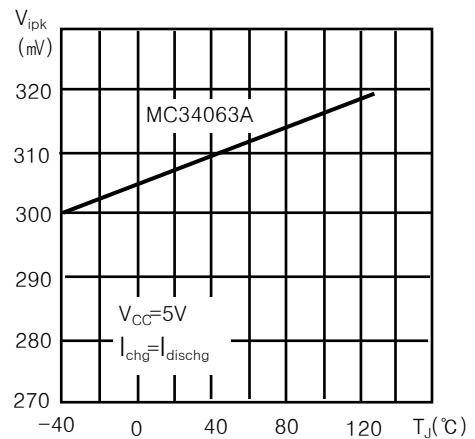
Darlington Configuration Collector Emitter Saturation Voltage (V\_CE(sat)) vs Temperature



Power Collector Emitter Saturation Voltage (V\_CE(sat)) vs Temperature

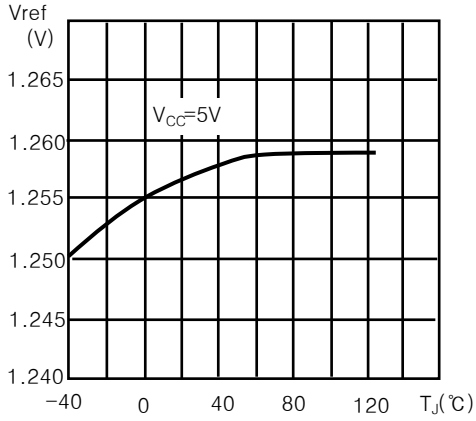


Current Limit Sense Voltage (V\_ipk) vs Temperature

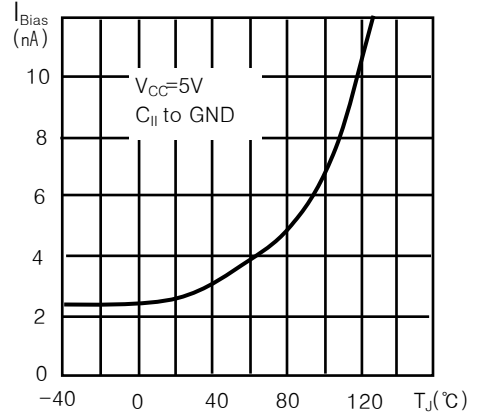


TYPICAL ELECTRICAL CHARACTERISTICS (Continued)

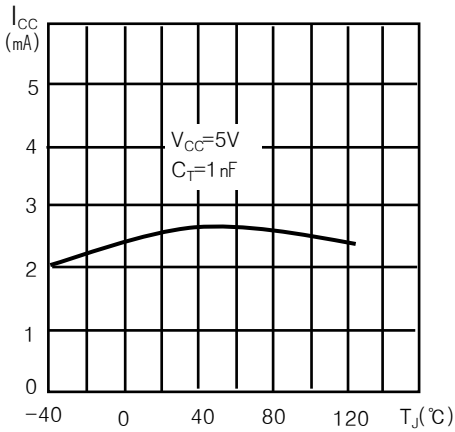
Reference Voltage vs Temperature



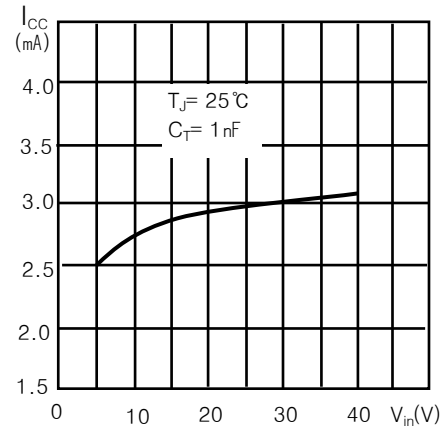
Bias Current vs Temperature



Supply Current vs Temperature

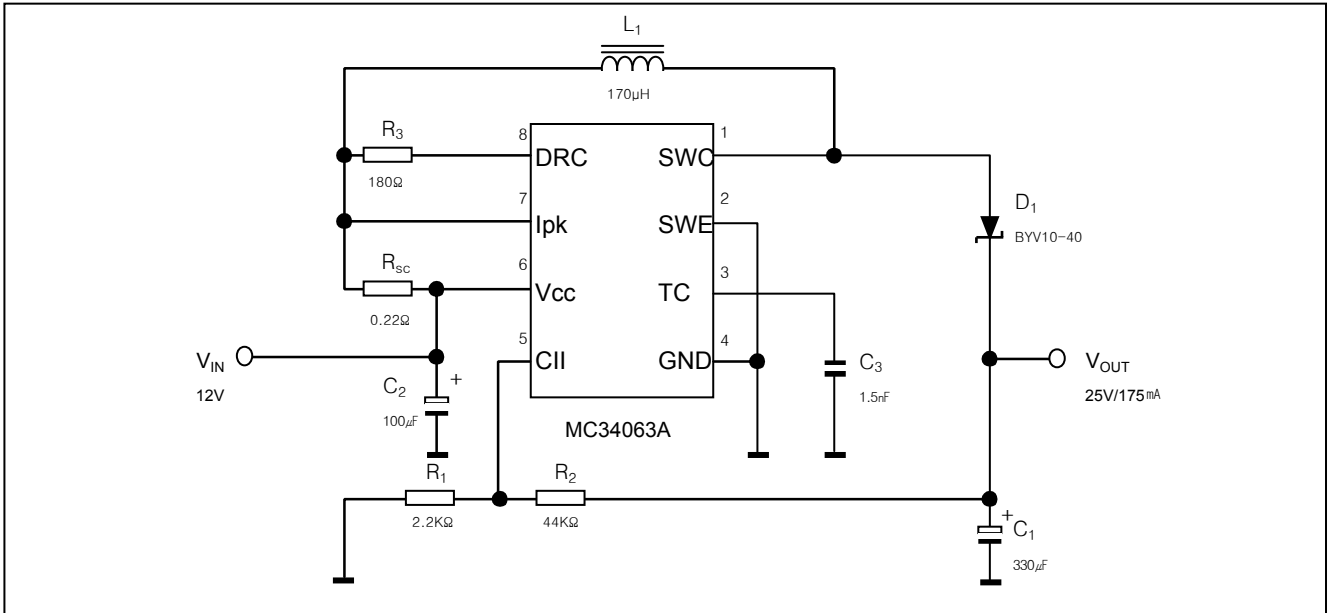


Supply Current vs Input Voltage

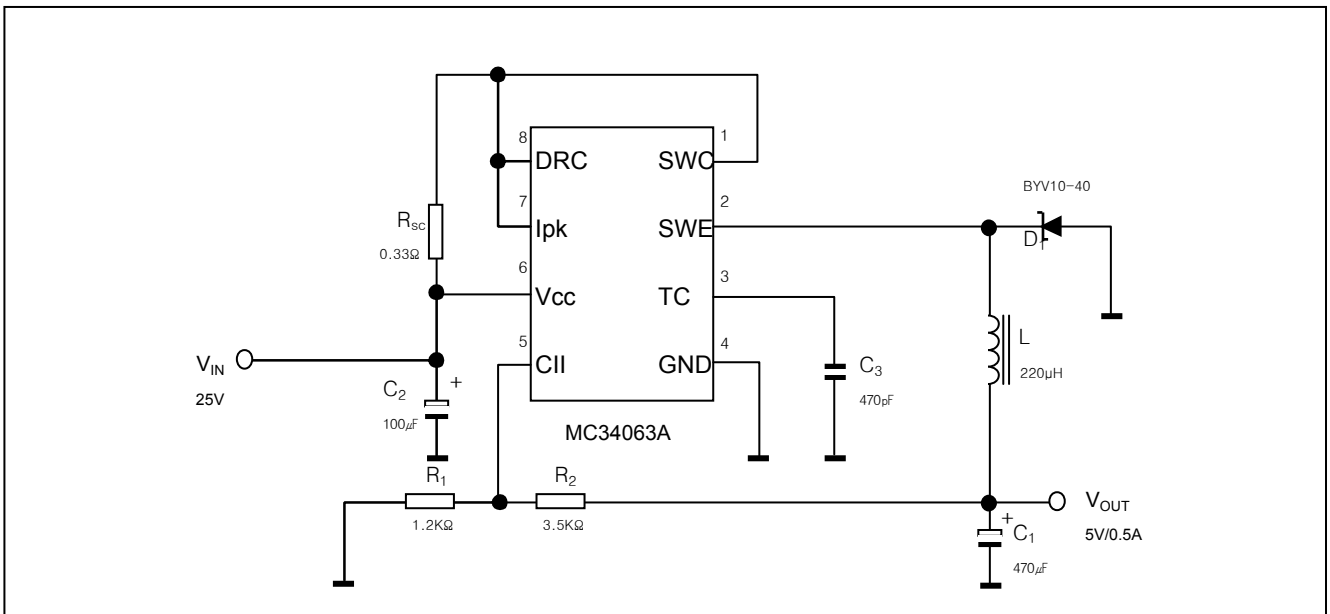


TYPICAL APPLICATION CIRCUIT

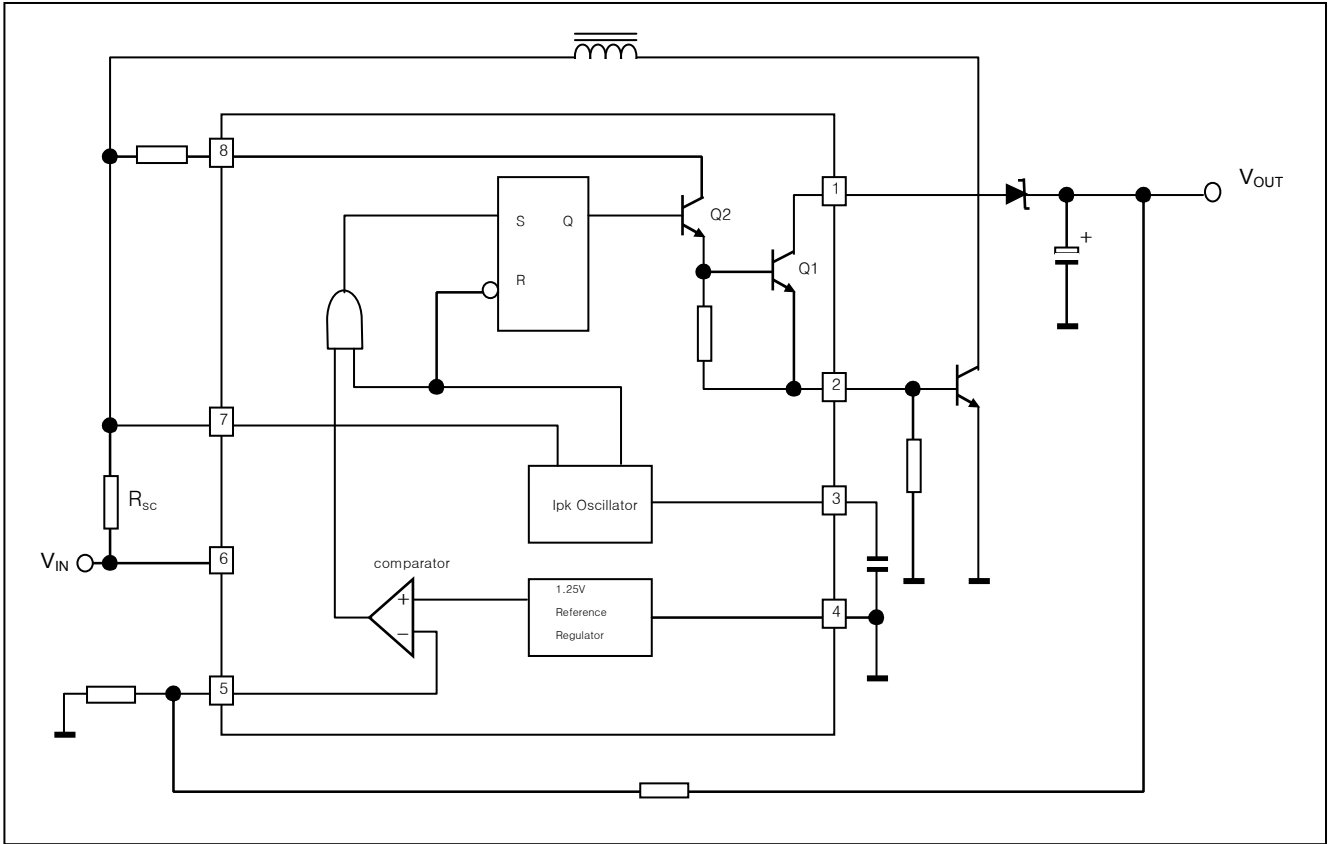
Step-Up Converter



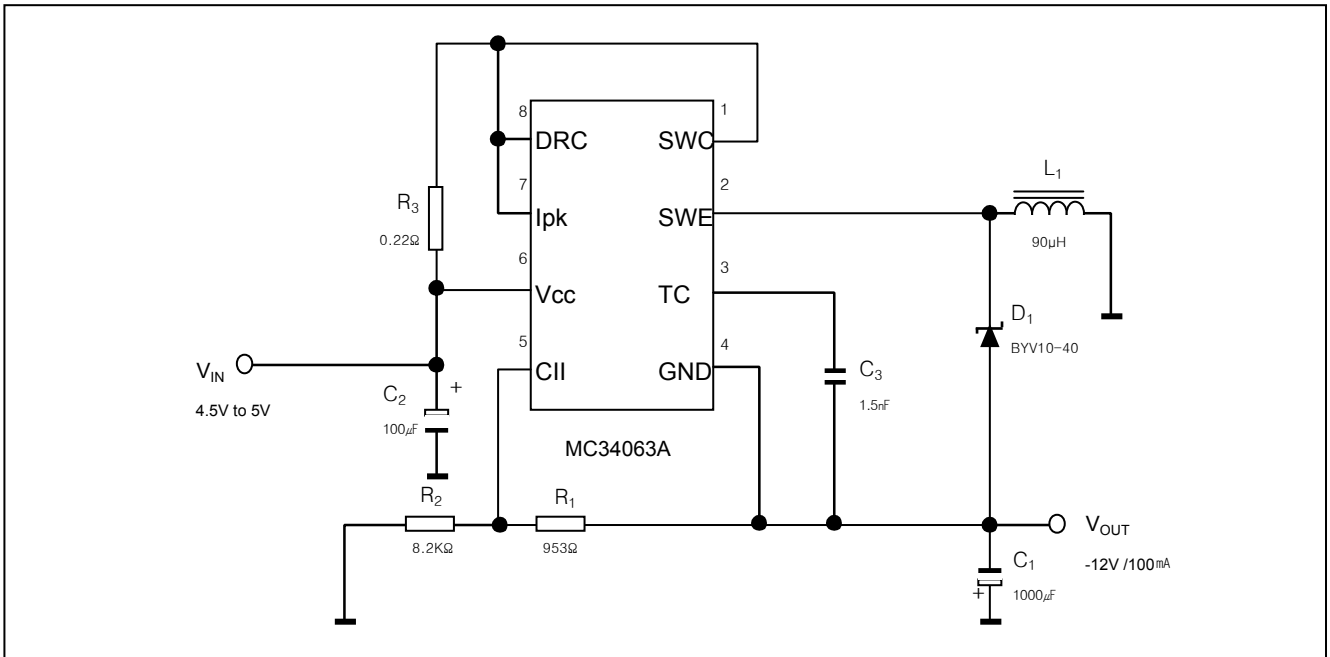
Step-Down Converter



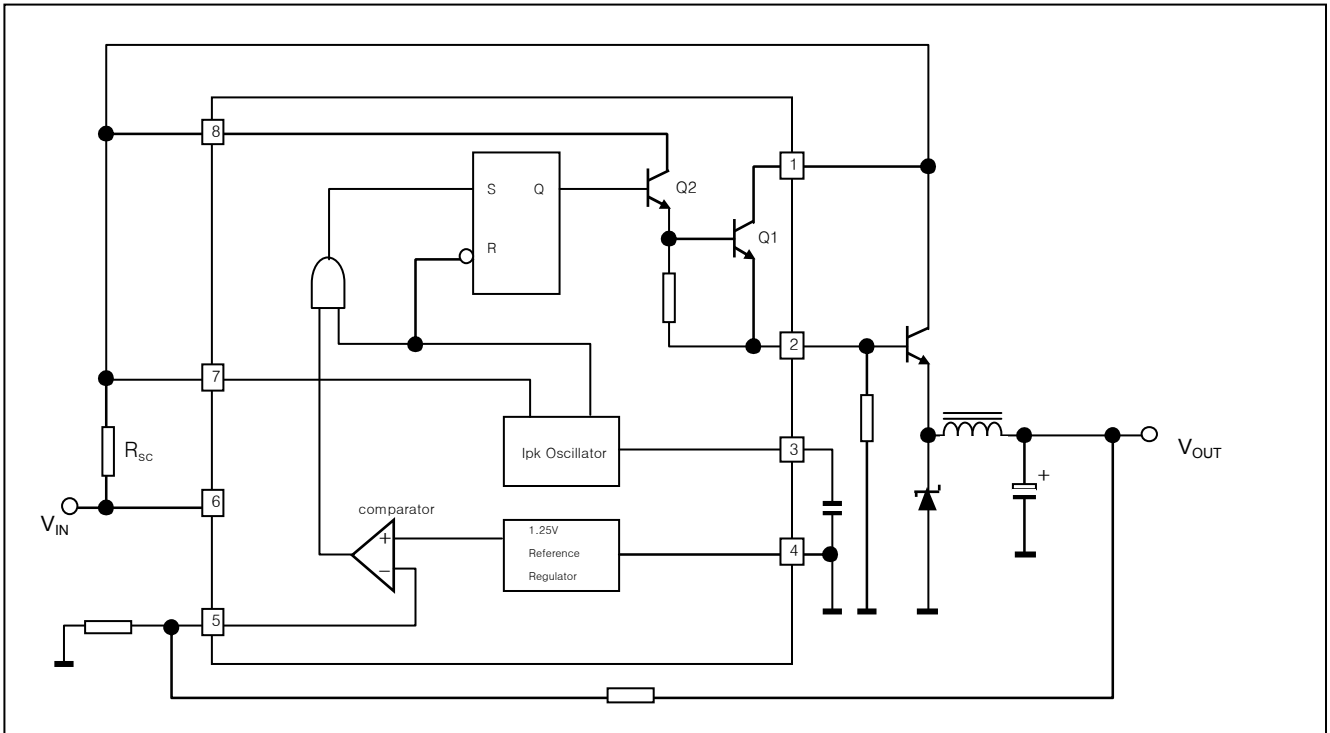
Step-Up With External NPN Switch



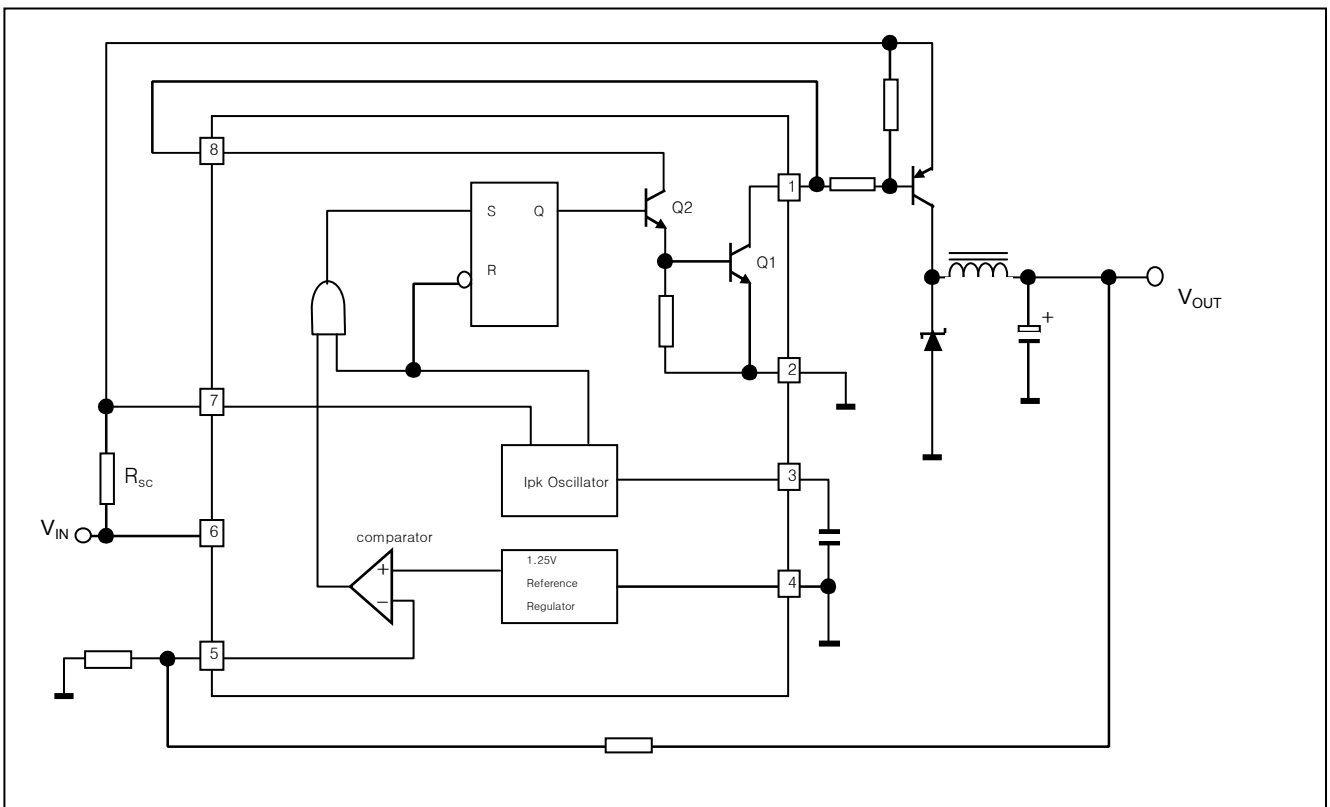
Voltage Inverting Converter



Step-Down With External NPN Switch

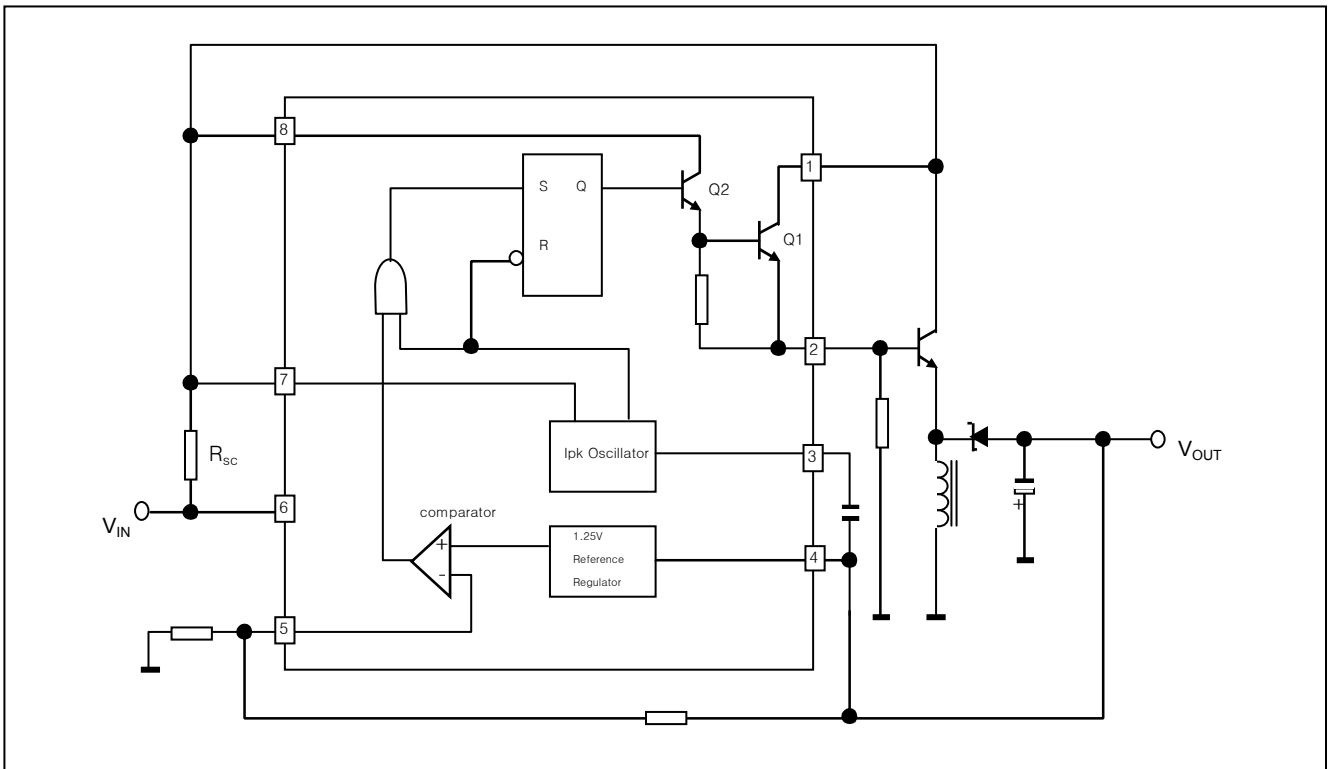


Step-Down With External PNP Switch

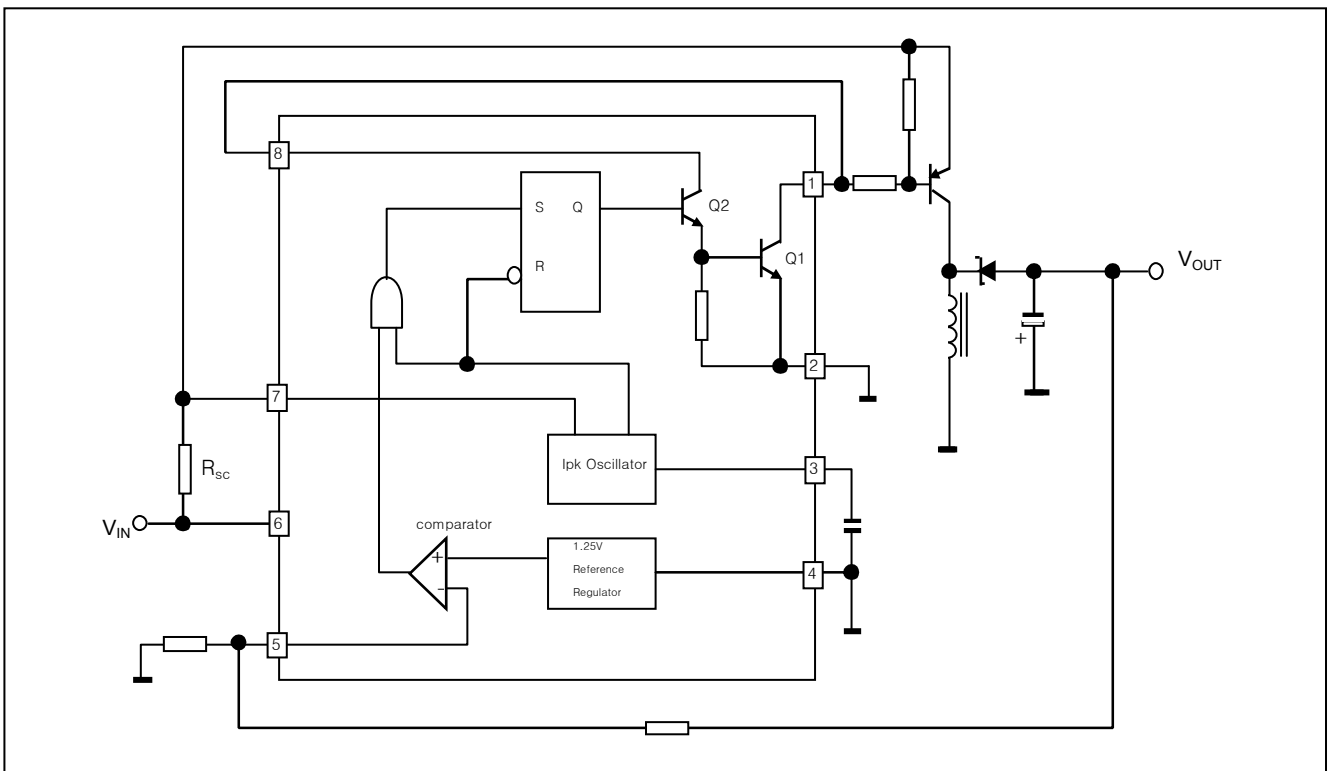




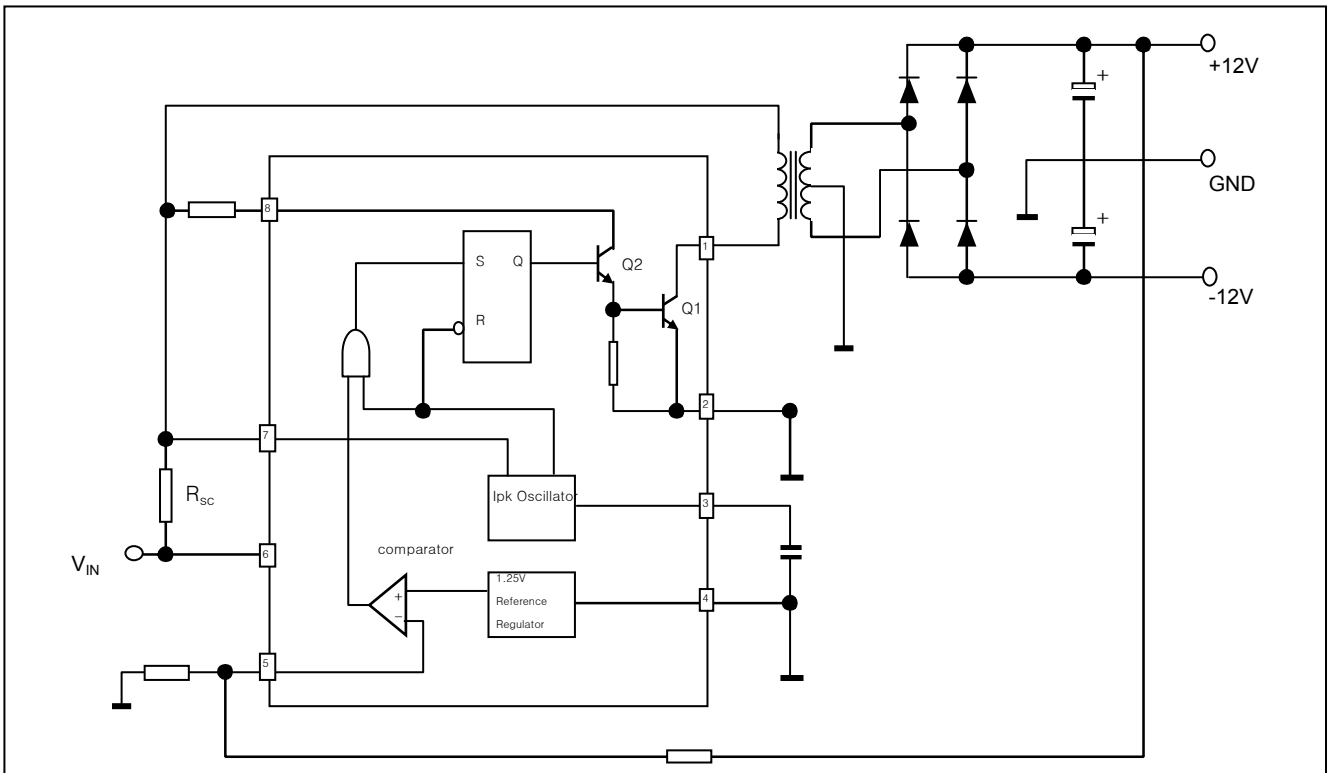
Voltage Inverting With External NPN Switch



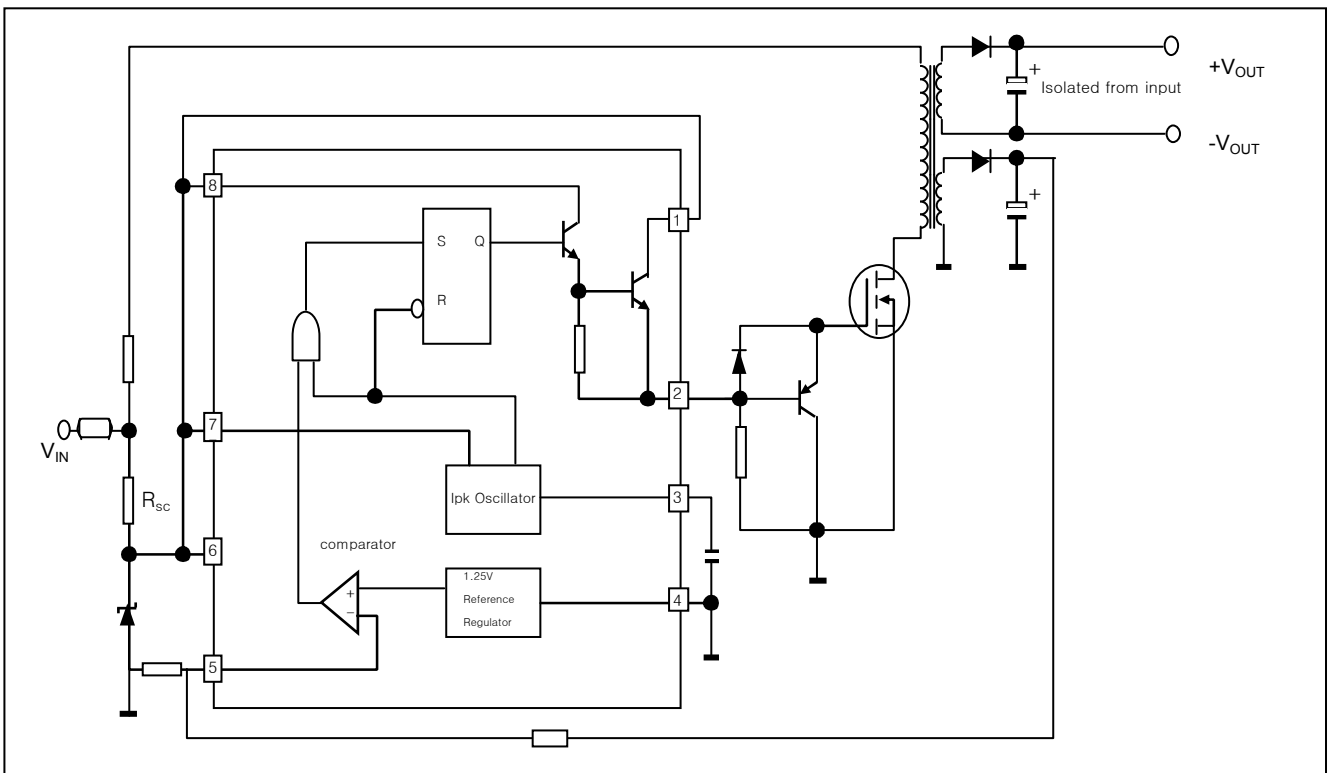
Voltage Inverting With External PNP Saturated Switch



Dual Output Voltage



Higher Output Power, Higher Input Voltage



Design Formula Table

Calculation	Step-Up	Step-Down	Voltage-Inverting
$t_{on}/t_{off}$	$\frac{V_{out} + V_F - V_{in(min)}}{V_{in(min)} - V_{sat}}$	$\frac{V_{out} + V_F}{V_{in(min)} - V_{sat}}$	$\frac{ V_{out}  + V_F}{V_{in} + V_{sat}}$
$(t_{on}/t_{off})_{max}$	$\frac{1}{f_{min}}$	$\frac{1}{f_{min}}$	$\frac{1}{f_{min}}$
$C_T$	$4.0 \times 10^{-5} t_{on}$	$4.0 \times 10^{-5} t_{on}$	$4.0 \times 10^{-5} t_{on}$
$I_{pk( switch )}$	$2I_{out(max)} \left( \frac{t_{on}}{t_{off}} + 1 \right)$	$2I_{out(max)}$	$2I_{out(max)} \left( \frac{t_{on}}{t_{off}} + 1 \right)$
$R_{sc}$	$0.3 / I_{pk( switch )}$	$0.3 / I_{pk( switch )}$	$0.3 / I_{pk( switch )}$
$L_{(min)}$	$\left( \frac{V_{in(min)} - V_{sat}}{I_{pk( switch )}} \right) \times t_{on(max)}$	$\left( \frac{V_{in(min)} - V_{sat} - V_{out}}{I_{pk( switch )}} \right) \times t_{on(max)}$	$\left( \frac{V_{in(min)} - V_{sat}}{I_{pk( switch )}} \right) \times t_{on(max)}$
$C_o$	$9 \frac{I_{out} t_{on}}{V_{ripple(pp)}}$	$\frac{I_{pk( switch )}(t_{on} + t_{off})}{8V_{ripple(pp)}}$	$9 \frac{I_{out} t_{on}}{V_{ripple(pp)}}$

**TERMS AND DEFINITIONS**

$V_{sat}$  - Saturation voltage of the output switch.

$V_F$  - Forward voltage drop of the output rectifier.

**The following power supply characteristics must be chosen:**

$V_{in}$  - Nominal input voltage.

$V_{out}$  - Desired output voltage.

$I_{out}$  - Desired output current.

$f_{min}$  - Minimum desired output switching frequency at the selected values of  $V_{in}$  and  $I_o$ .

$V_{ripple(p-p)}$  - Desired peak-to-peak output ripple voltage. In practice the calculated capacitor value will need to be increased due to its equivalent series resistance and board layout. The ripple voltage should be kept to a low value since it will directly affect the line and load regulation.