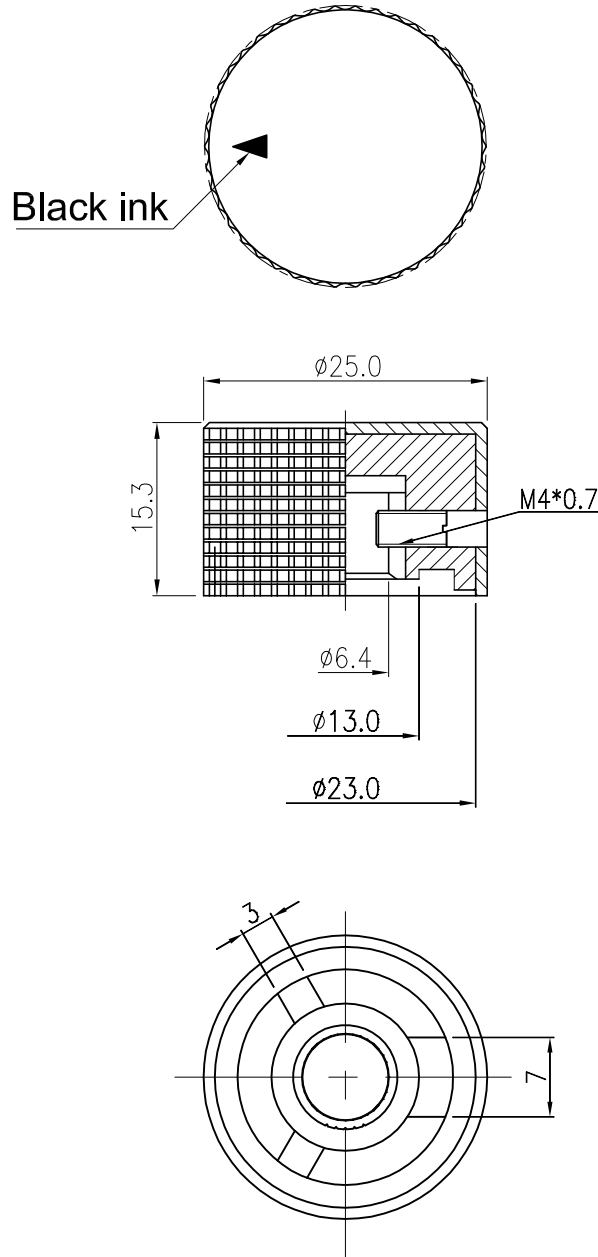


Material:
 Housing (Knob) : ABS
 Cap: Aluminum
 Headlsee set screw: Copper Alloy



Tolerances Unless Otherwise Specified ± 0.3

Date		Name		Description			△ No.
Drawn	Checked	Approved	SCI BOM No.	1450033	Model Name	KNOBS	
柳新強		李元生	Customer No.		Model No.	MC-131	Rev.
08/01/12		08/01/12	Unit	mm	Shin Chin Industrial Co., Ltd.		0