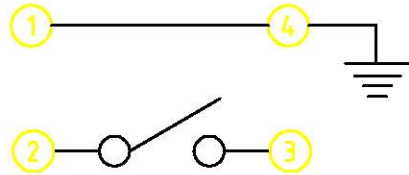
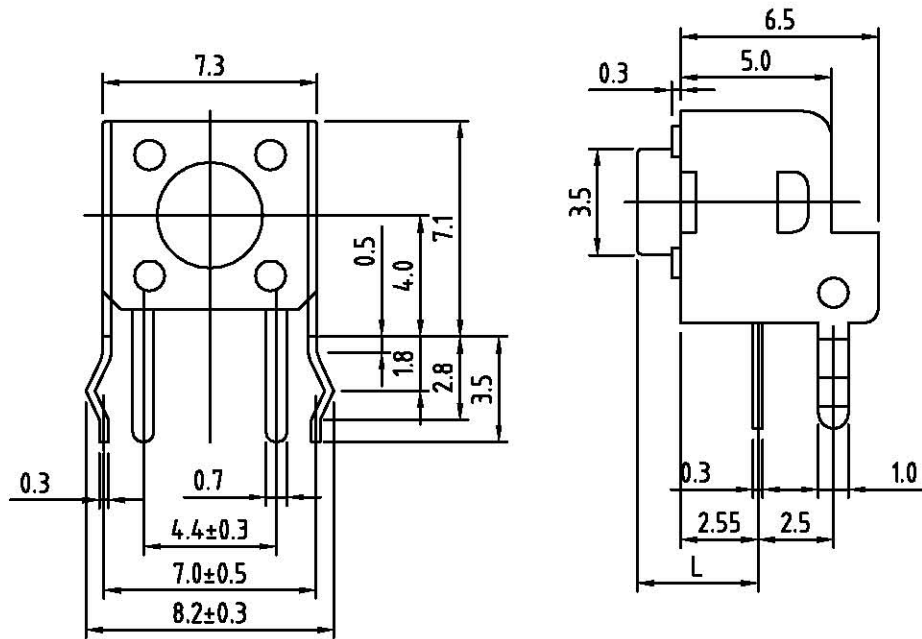
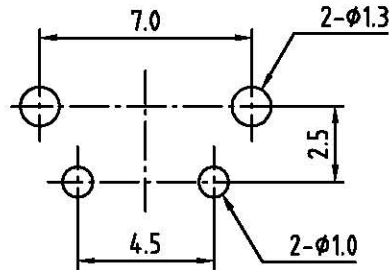


1105VD-X: H=8.35mm, (-X):160gf

CIRCUIT DIAGRAM



P.C.B LAY OUT



Model No.	Knob (L)
1105VA	3.15
1105V	3.85
1105VB	5.85
1105VE	6.85
1105VD	8.35
1105VC	6.15
1105VF	11.35
1105VS	11.85
1105VH	12.35
1105VT	15.85

- Rating : DC 12V. 50mA
- Travel : 0.25±0.1m/m
- Operating force : 100 & 130 & 160G±30gf
250G±50gf
- Contact Resistance : 50m Ω MAX
- Life : 100,000 Cycles

ITEM	DESCRIPTION	Q'TY	MATERIALS	TREATMENT	REMARK
1	STEM	1	HIGH-TEMP THERMOPLASTIC NYLON 66		
2	COVER	1	SPCC	WITH NI PLATING	
3	CONTACTOR	1	PHOSPHOR BRONZE	WITH SILVER CLADDING	
4	TERMINAL	1	BRASS	WITH SILVER CLADDING	
5	BASE	1	HIGH-TEMP THERMOPLASTIC NYLON 66	MOLDED BLACK	

同利企業有限公司
TELE LONG ENTERPRISE CO.,LTD.
E-mail: rayyang@seed.net.tw

Drawing	CHUN	Date	07/03/29
Design	YANG	Ratio	4:1
Check	YANG	Unit	mm
Approved	RAY		

Product	TACT Switch
ITEM NO.	1105V□-□
DWG NO.	1105V□-□- TNS67-B1