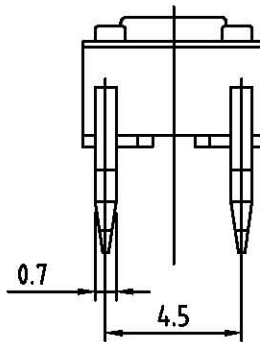
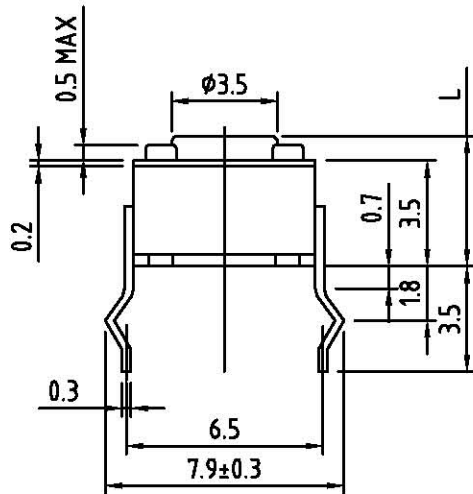
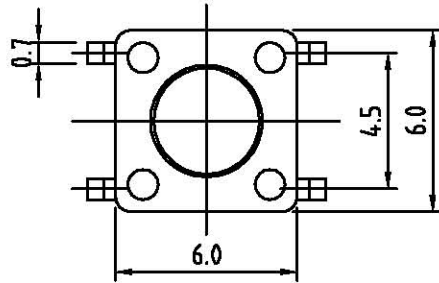
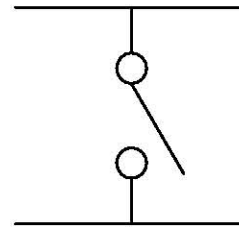


1105: 6x6x4.3 **1105B: 6x6x7**
1105A: 6x6x5 **1105C: 6x6x7.3**
1105-6: 6x6x6 **1105-9: 6x6x9**

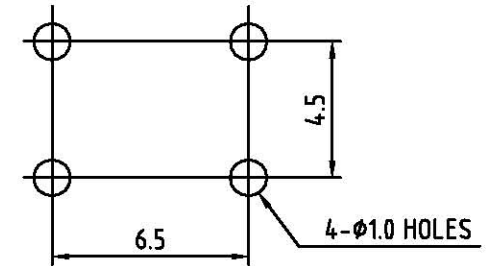


MODEL NO.	A	-6	B	C	D	-9	E	-11	-12	F	-13	G	-14	-15	-16	M	-6.5	
L(mm)	4.30	5.00	6.00	7.00	7.30	8.00	9.00	9.50	11.00	12.00	12.50	13.00	13.50	14.00	15.00	16.00	17.00	6.5

CIRCUIT DIAGRAM



P.C.B LAYOUT



1. Rating : DC 12V. 50mA
2. Travel : 0.25±0.1m/m
3. Operating Force : 130 or 160 ±30gf
or 250 ±50gf or 500 ±100gf
4. Contact Resistance : 100m ? MAX
5. Life : 100,000 Cycles

ITEM	DESCRIPTION	Q'TY	MATERIALS	TREATMENT	REMARK
1	STEM	1	HIGH-TEMP THERMOPLASTIC NYLON 66		
2	COVER	1	SPCC	WITH NI PLATING	
3	CONTACTOR	1	PHOSPHOR BRONZE	WITH SILVER CLADDING	
4	TERMINAL	1	BRASS	WITH SILVER CLADDING	
5	BASE	1	HIGH-TEMP THERMOPLASTIC NYLON 66	MOLDED BLACK	

同利企業有限公司
 TELE LONG ENTERPRISE CO.,LTD.
 E-mail: rayyang@seed.net.tw

Drawing	CHUN	Date	07/03/29
Design	YANG	Ratio	4:1
Check	YANG	Unit	mm
Approved	RAY		

ITEM NO.	1105
TITLE	TACT SWITCH
DWG NO.	1105-TNS67-B1