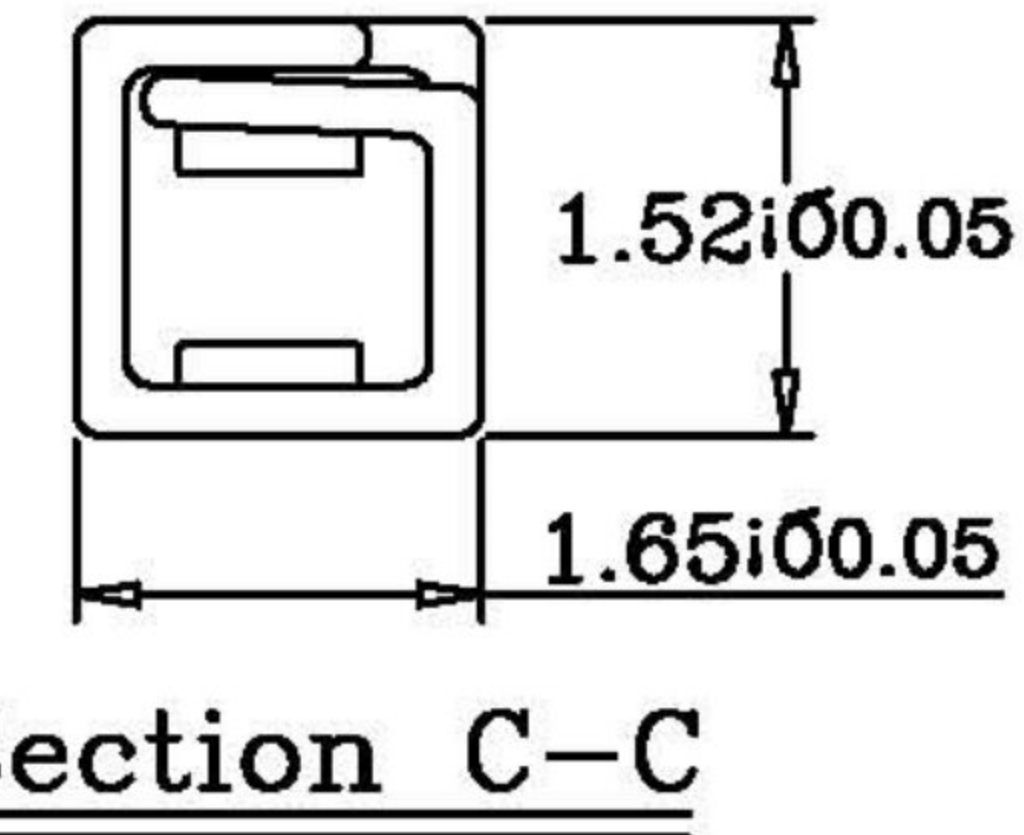
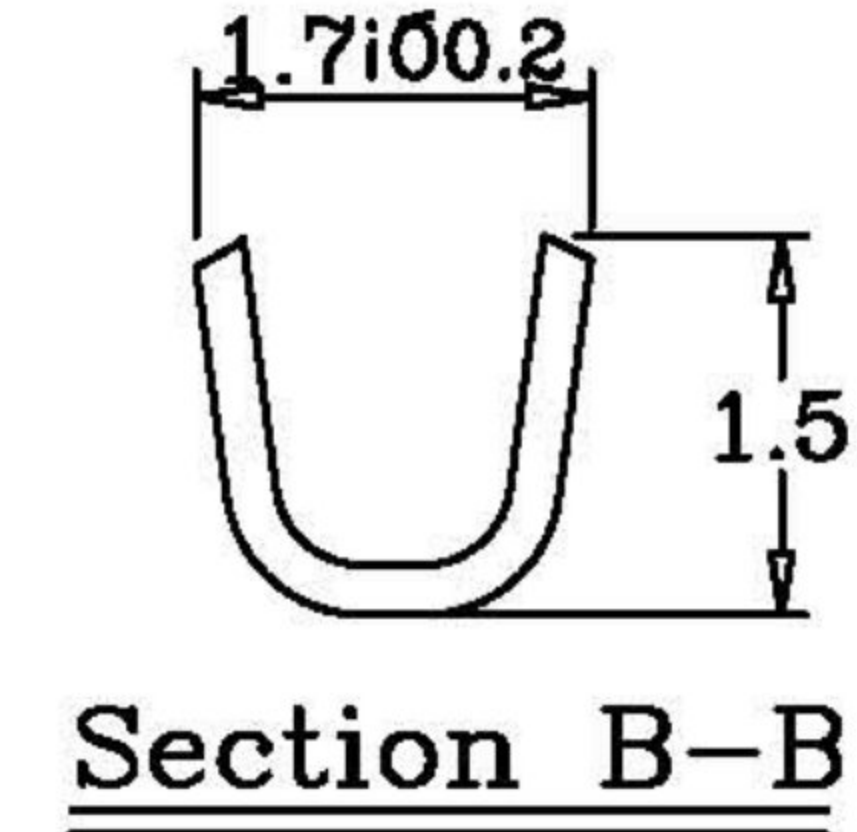
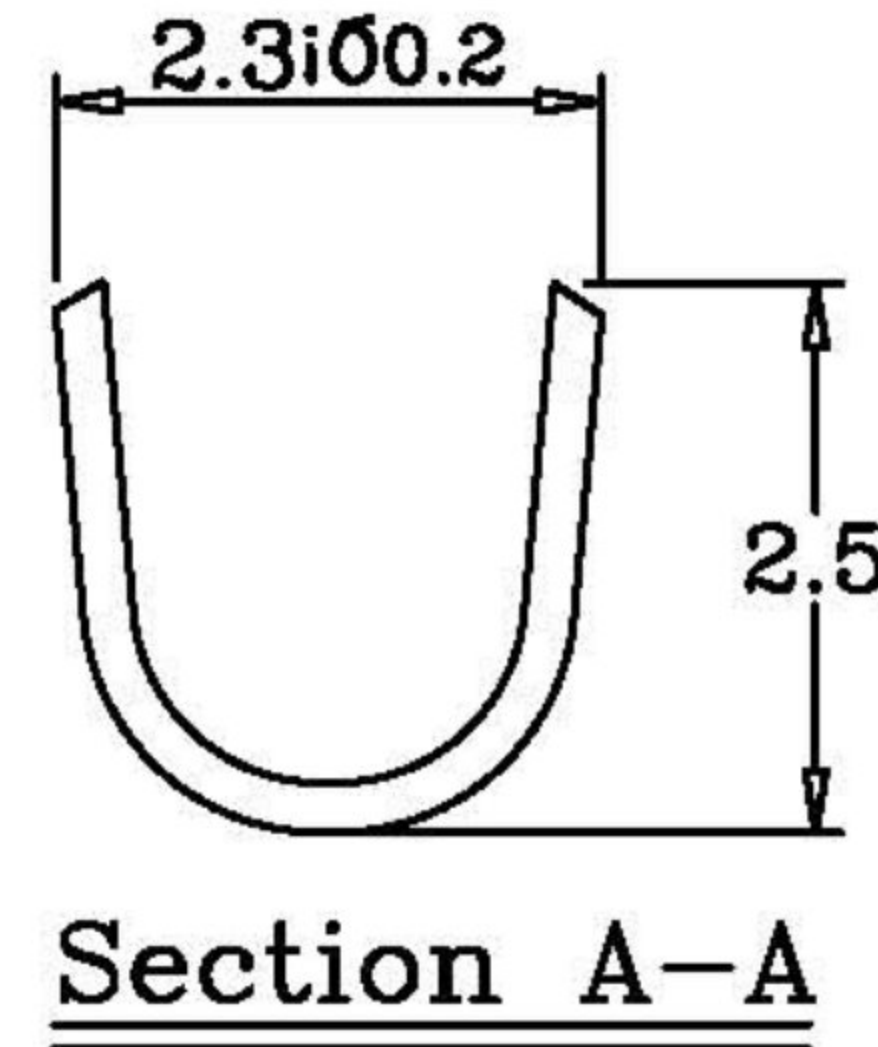
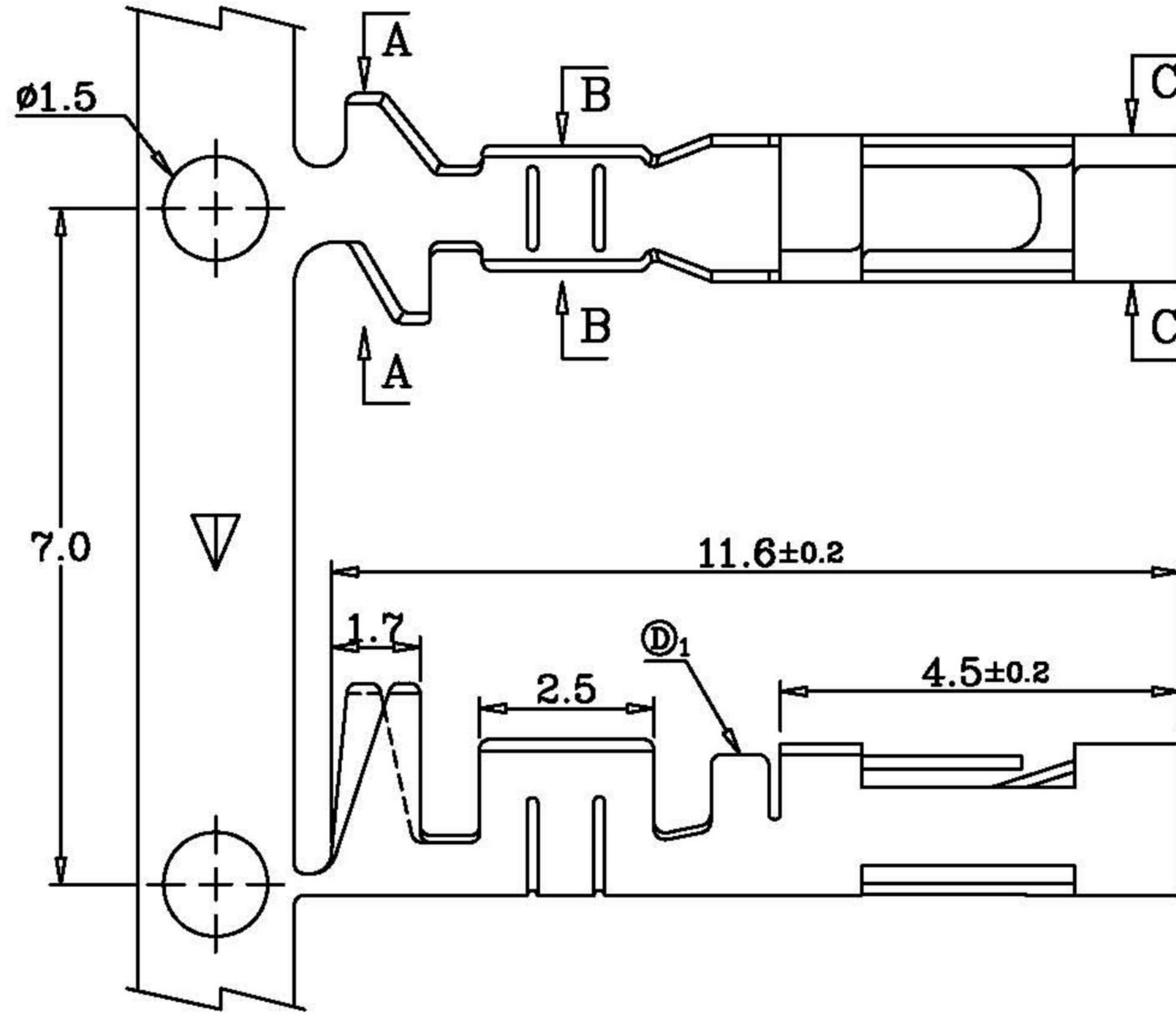


2.54mm (.100") Pitch Crimp Terminal



Specifications & Ordering Information:

Thickness	Material	Wire Range	Insulation O.D.	Finish	Qty/reel
0.2	Brass	AWG #22~28	1.6-1.2 mm	Gold Flash	10,000PCS
0.2	Brass	AWG #22~28	1.6-1.2 mm	Pre. Tin-Plated	10,000PCS

APPD. 核准 HELEN DWG. 製圖 ABBY DATE 制表日 2011/12/21	RoHS Compliant	HSM 玄茂科技股份有限公司 HSUAN MAO TECHNOLOGY CO., LTD.	TOLERANCE 容許公差 .000 : ±0.08 .00 : ±0.13 .0 : ±0.25 SCALE 比例 參考 UNIT 單位 MM PAGE 張數 1 OF 1 REV. 版次 A	PART NAME 品名 2.54mm TERMINAL BRASS MATERIAL SUITABLE AWG22~28 1R=10K PCS (1X15P~1X30P/2X8P~2X29P USE THIS TYPE) ROHS PART NO. 料號 T4000-XFBBJ000R
--	-------------------	--	--	---