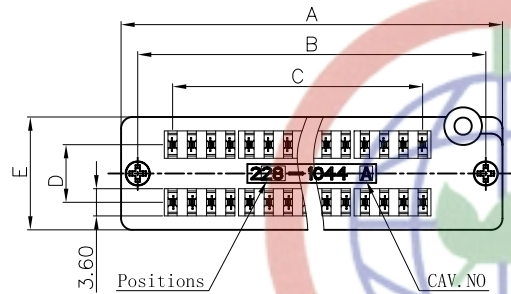
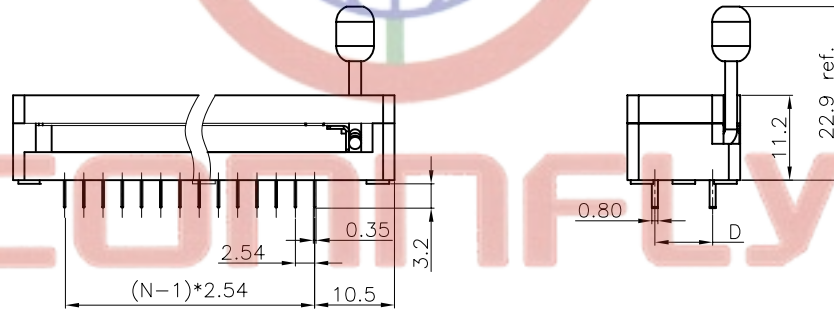


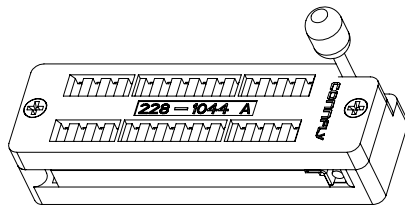
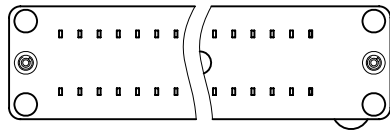
REV.	DESCRIPTION	DRAWN	CHECKED	APPROVED
A	NEW RELEASE	DMJ 06/07/07'	~	LJC 06/07/07'
B	修改表格尺寸	YCH 09/17/07'	~	



Positions	A	B	C	D	E
14	32.6	28.2	15.24	7.62	14.9
16	35.1	30.7	17.78	7.62	14.9
20	40.2	35.8	22.86	7.62	14.9
24	45.3	40.9	27.94	7.62	14.9
28	50.4	46.0	33.02	7.62	14.9
32	55.5	51.1	38.10	15.24	22.9
40	65.6	61.2	48.26	15.24	22.9
48	75.8	71.4	58.42	15.24	22.9



N=No. of contacts/2



1. FEATURES

- 1.1. Compact mechanical construction to ensure long term life.
- 1.2. Zero insertion and extraction pressure.
- 1.3. standard 0.100(2.54mm) IC pitch, easy to mount in PC board.
- 1.4. All plastics are UL 94v-0 grade fire retardant.
- 1.5. Gold plated contact to ensure low contact resistance and long operation life.

2. SPECIFICATION

2.1. ELECTRICAL:

- 2.1.1. Rating: 50VDC, 100mA.
- 2.1.2. Contact Resistance: 50mΩ Max.
- 2.1.3. Insulation Resistance: 1000MΩ Min.
- 2.1.4. Dielectric withstanding voltage: 500VDC min. for 60 seconds. Capacitance between adjacent contacts.

2.2. MECHANICAL AND ENVIRONMENTAL

- 2.2.1. Temperature Rating:
- 2.2.2. Operating: -40°C to +105°C
- 2.2.4. Durability: 25,000 cycles (with load)
- 2.2.5. Humidity: 95%RH, 40°C for 48 Hrs.
- 2.2.6. Solderability: After flux 230°C for 5±0.5 Seconds, 95% coverage
- 2.2.7. Soldering Heat: 260±5°C for 5±1 Seconds.

3. PRODUCT NUMBER CODE:

DS1044 - X X X

- Housing color
- L: Blue
- B: Black
- G: Green
- Contact plating
- F: Full 3u" gold
- 0: Full gold flash
- 6: Full Tin
- No. of contacts
- 14 16 18 20 24
- 28 32 40 48

GENERAL TOLERANCE		ANGLE TOLERANCE		PROJECTION	TITLE
X.	±0.60	X.	±5°	mm	ZIF SOCKET
.X	±0.38	.X	±3°	A4	SERIES DS1044 SERIES
.XX	±0.25	.XX	±2°		
DRAWING TYPE		CUSTOMER		晨翔电子有限公司 CONNFLY CONNFLY ELECTRONIC CO. LTD	
SCALE		1:1	SHEET 1 OF 1		
DRAWING NO.		C-DS1044-XXX			

Tel: 86-574-63510817
 Fax: 86-574-63510817
 E-mail: sale@zhenqin.com.cn
 Http://www.connfly.com