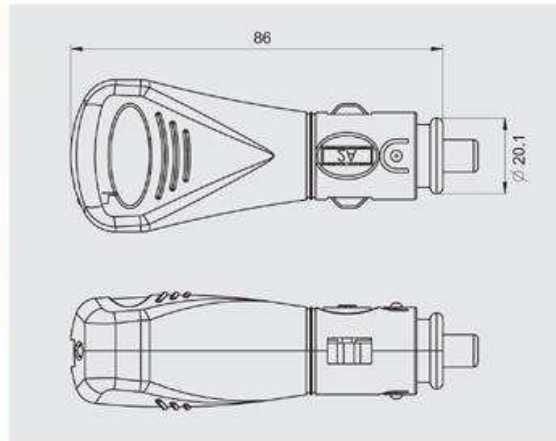


## A13-117 USB ADAPTER FOR I-POD



### FEATURES

\* RATING : 12V/24V DC

\* MATERIAL :

Housing : ABS ( UL flame: 94-HB 105 ° C ).

Top contact : nickel plated brass.

Spring contact : nickel plated spring steel.

\* Short circuit protection.

\* Over voltage protection.

\* Reverse protection.

\* With 2A mini blade fuse max.

\* RoHS compliant.

\* OUTPUT :

PIN 1: DC 5.0V+/-0.25V

PIN 2: DC 2.7V+/-0.30V

PIN 3: DC 2.0V+/-0.30V

PIN 4: GROUND