

**C/A-5570EG 2.0 INCH, 5×7 DOT MATRIX DISPLAY (MULTI-COLOR)**


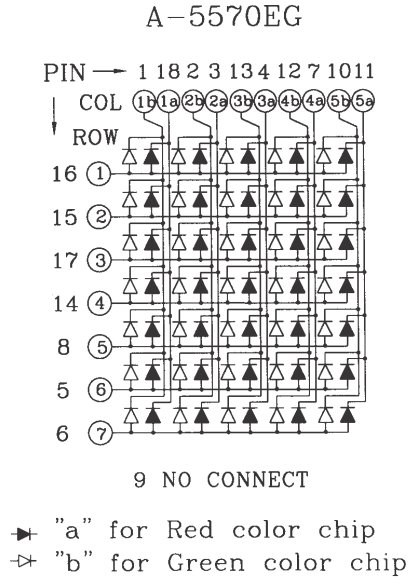
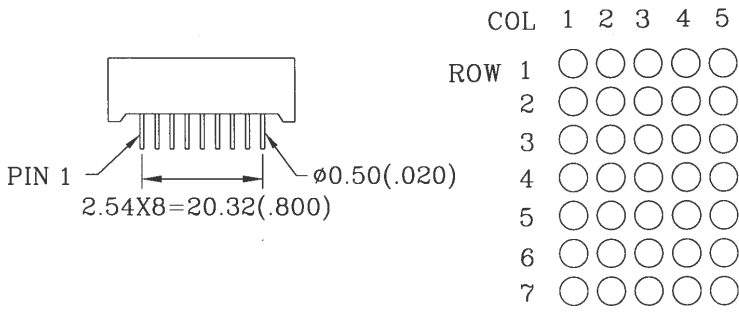
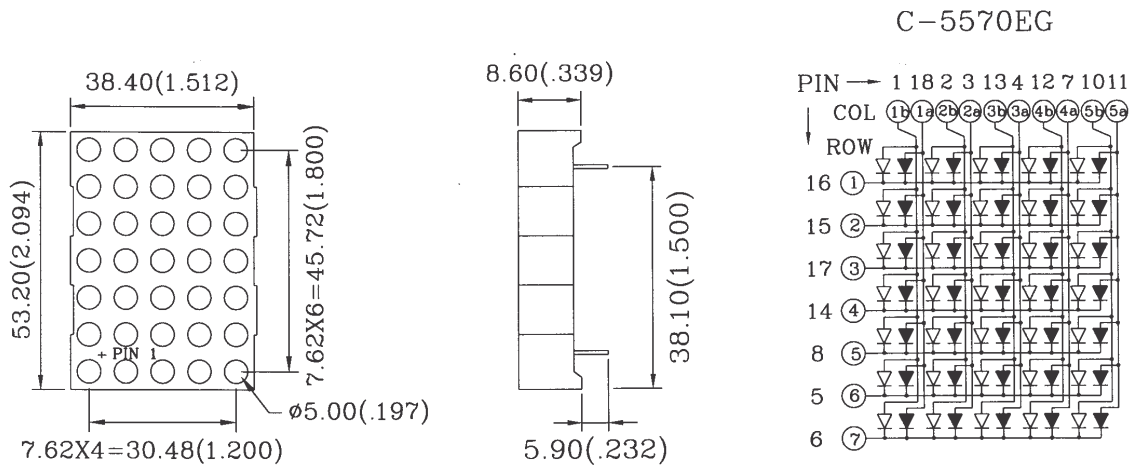
| Shape   | Part No.       |              | Chip         |               | Wave Length<br>$\lambda$ p(nm) | Electro-Optical Characteristics |      |             | Fig. No. |
|---|----------------|--------------|--------------|---------------|--------------------------------|---------------------------------|------|-------------|----------|
|   | Common Cathode | Common Anode | Raw Material | Emitted Color |                                | Vf(V)20mA                       |      | Iv(ucd)10mA |          |
|   |                |              |              |               |                                | Typ.                            | Max. | Typ.        |          |
|  | C-5570EG       | A-5570EG     | GaAsP/GaP    | Hi.effi Red   | 635                            | 2.1                             | 2.8  | 3600        | D98      |
|   |                |              | GaP          | Green         | 565                            | 2.2                             | 2.8  | 3400        |          |

Fig. D98



1.All dimension are in millimeters (inches).  
2.Tolerance is  $\pm 0.25$  mm (0.01") unless otherwise specified.