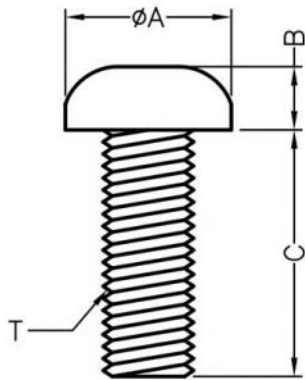


WEBSITE PHOTOS

⚠ This dwg is for reference only, Actual dwg should be based on formal engineering dwg issued by Kang Yang.



A	B	C	T
3.3	1.4	8.0	M2X0.4P

T	THREAD	MATERIAL	COLOR
1		NYLON 66(UL) 94V-0	NATURAL
2		PC(UL) 94V-2	NATURAL


 康揚企業股份有限公司
 KANG YANG HARDWARE ENTERPRISE CO., LTD.
 康揚塑膠(東莞)有限公司
 KANG YANG PLASTIC(DONG GUAN) CO., LTD.
 康哲電腦配件(吳江)有限公司
 KANG CHE COMPUTER COMPONENTS(WUJIANG) CO., LTD.
ISO 9001
ISO 14001
QC 080000

PART NUMBER		M2-8	SPEC. DWG.	
TITLE				
SCREW				
MATERIAL			COLOR	
SEE ABOVE			SEE ABOVE	
SIZE	SCALE	UNIT	CHECK	
A4	2:1	mm	Z.C	