

RoHS

SPECIFICATION :

6 (2) A 250VAC T125/55 1E4
10A 125VAC

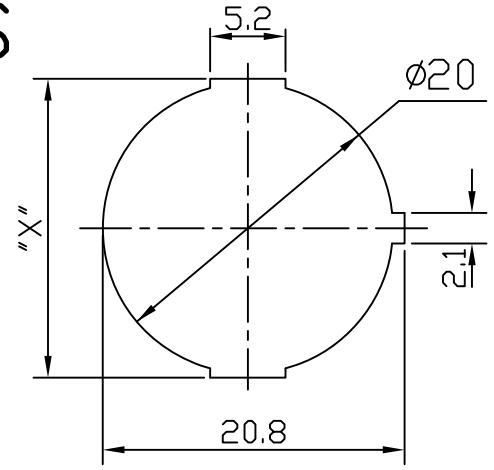
(H): 10 (4) A 250VAC T125/55 1E4

10 (2) A 250VAC T85/55 5E4

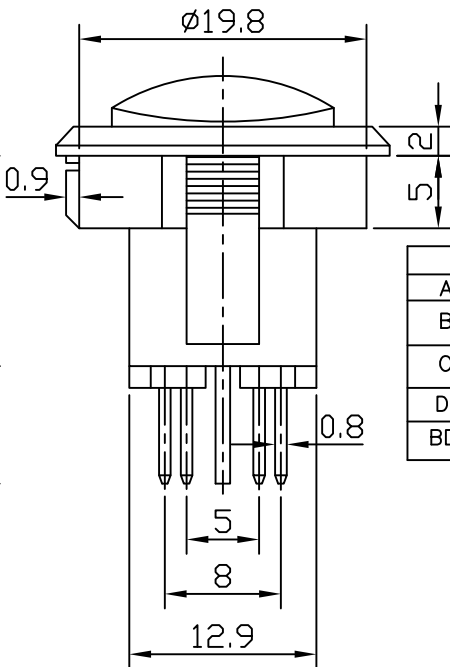
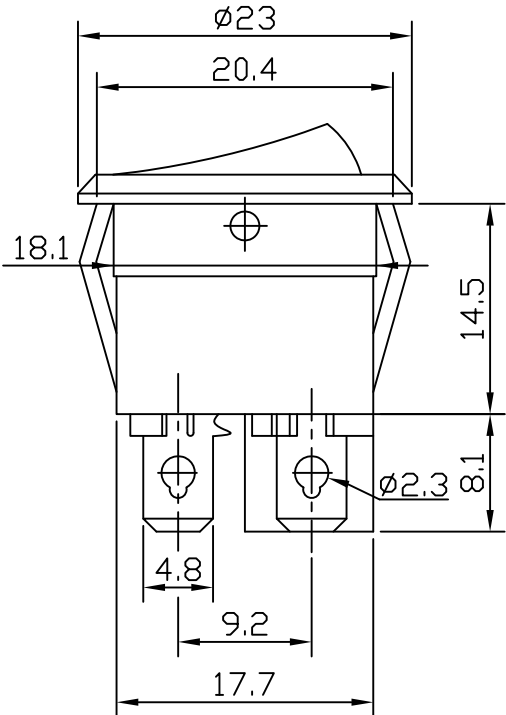
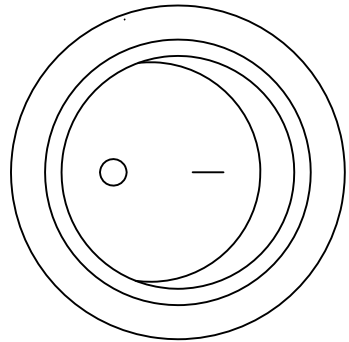
16A 125V/10A 250VAC 1/3HP 125-250VAC T105

Panel hole size

Panel thickness	X
0.7-1.25	20.2
1.25-2.0	20.4
2.0-3.0	20.6



PANEL HOLE



HOW TO ORDER

RL3-4R-A-□-BB-2-P8-□-□

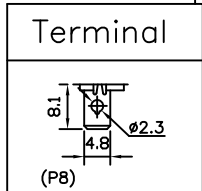
Function		
A	4P2	ON-OFF
B	3P2	ON-OFF w/lamp
C	4P2	ON-OFF w/lamp
D	2P2	ON-OFF
BD	4P2	ON-OFF W/LAMP ROUND LEN

Housing/Cap	
B	Black
W	White
R	Red

LIGHT Voltage	
	NOTHING
1	110VAC
2	220VAC
3	12VDC
4	24VDC

RATING	
	10A 125VAC
	6A 250VAC
H	16A 125VAC
	10A 250VAC

Cap Printing	
0	None
1	
2	
3	
8	



WATERPROOF CAP	
	Nothing
WP	WP-RL3-5

NO.	DESCRIPTION	QTY	MATERIAL	SPECIFICATION	REMARK
DRAW BY	CHUN	041312	SCALE	2 : 1	ITEM NO. RL3-4R
DEGN BY	YANG		UNIT	MM	
APPD BY	RAY				
同利企業有限公司				PROJ	TITLE
TELE LONG ENTERPRISE CO.,LTD					DWG NO.
E-mail: rayyang@seed.net.tw					RL3-4R-CN05-TN00-C1

DATE	DRAWG BY	REVISED