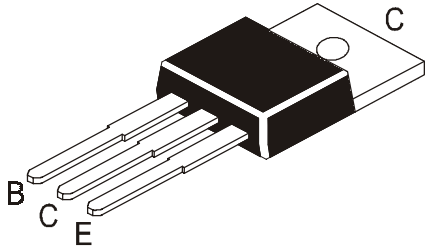


PLASTIC POWER TRANSISTORS

BD 905, 907, 909, 911 NPN
BD906, 908, 910, 912 PNP



TO-220
Plastic Package

Power Linear and Switching Applications

ABSOLUTE MAXIMUM RATINGS (Ta=25°C unless specified otherwise)

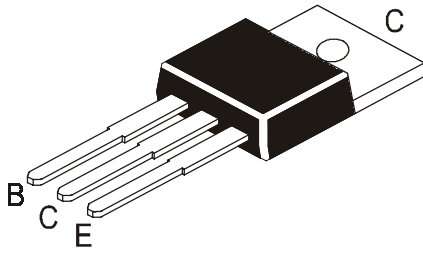
DESCRIPTION	SYMBOL	905	907	909	911	UNIT
		906	908	910	912	
Collector -Emitter Voltage	V_{CEO}	45	60	80	100	V
Collector -Base Voltage	V_{CBO}	45	60	80	100	V
Emitter -Base Voltage	V_{EBO}			5.0		V
Emitter and Collector Current	I_E, I_C			15		A
Base Current	I_B			5.0		A
Total Power Dissipation up to Tc=25°C	P_{tot}			90		W
Junction Temperature	T_j			150		°C
Temperature Range	T_{stg}			-65 to +150		°C

ELECTRICAL CHARACTERISTICS (Tc=25°C Unless Otherwise Specified)

DESCRIPTION	SYMBOL	905	907	909	911	UNIT	
		906	908	910	912		
Breakdown (sus) Voltage	$V_{CEO(sus)}$ * $I_C=50mA, I_B=0$	45	60	80	100	V	
Collector-Cut off Current	I_{CEO} $V_{CE}=30V, I_B=0$ $V_{CE}=40V, I_B=0$ $V_{CE}=50V, I_B=0$	1.0	1.0			mA	
					1.0		mA
						1.0	mA
	I_{CBO} $I_E=0, V_{CB}=\text{Rated}$ $V_{CBO}, I_E=0, V_{CB}=\text{Rated}$ $V_{CBO}, T_c=150^\circ\text{C}$			0.5		mA	
Emitter-Cut off Current	I_{EBO} $V_{EB}=5V, I_C=0$			1.0		mA	
Saturation Voltages	$V_{CE(sat)}$ * $I_C=5A, I_B=0.5A$ $I_C=10A, I_B=2.5A$			1.0		V	
				3.0		V	
	$V_{BE(sat)}$ * $I_C=10A, I_B=2.5A$			2.5		V	

PLASTIC POWER TRANSISTORS

BD 905, 907, 909, 911 NPN
BD906, 908, 910, 912 PNP



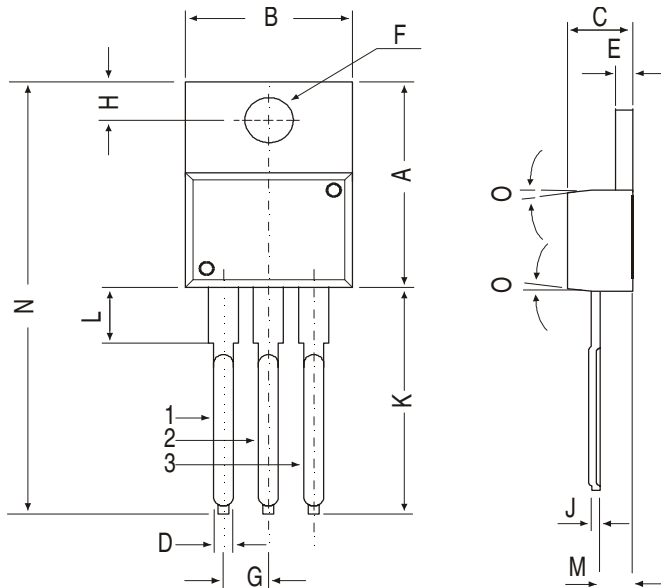
TO-220
Plastic Package

DESCRIPTION	SYMBOL	905	907	909	911	UNIT
		906	908	910	912	
Base Emitter on Voltage	$V_{BE(on)}^*$	$I_C=5A, V_{CE}=4V,$		1.5		V
DC Current Gain	h_{FE}^*	$I_C=0.5A, V_{CE}=4V$		40-250		
		$I_C=5A, V_{CE}=4V$		15-150		
		$I_C=10A, V_{CE}=4V$		>5		
Transition Frequency	f_T	$V_{CE}=4V, I_C=0.5A,$		>3.0		MHZ

*Pulse Test:- Pulse Width<300 μ s, Duty Cycle=1.5%

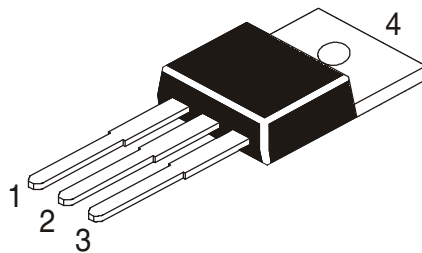
**TO-220
Plastic Package**

TO-220 Plastic Package



DIM	MIN	MAX
A	14.42	16.51
B	9.63	10.67
C	3.56	4.83
D	—	0.90
E	1.15	1.50
F	3.53	4.10
G	2.29	2.79
H	2.54	3.43
J	0.36	0.61
K	12.70	14.73
L	2.80	6.35
M	2.00	2.92
N	—	31.24
O	7 DEG	

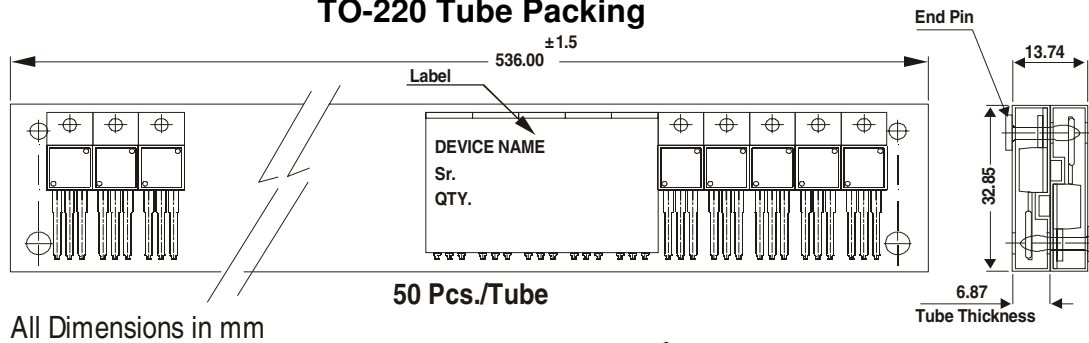
All dimensions in mm.



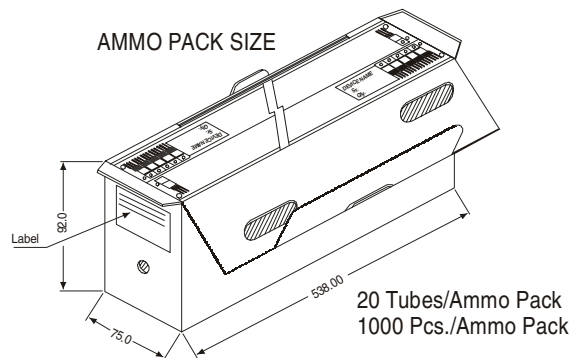
Pin Configuration

1. Base
2. Collector
3. Emitter
4. Collector

TO-220 Tube Packing



AMMO PACK SIZE



Packing Detail

PACKAGE	STANDARD PACK		INNER CARTON BOX		OUTER CARTON BOX		
	Details	Net Weight/Qty	Size	Qty	Size	Qty	Gr Wt
TO-220	200 pcs/polybag	396 gm/200 pcs	3" x 7.5" x 7.5"	1K	17" x 15" x 13.5"	16K	36 kgs
	50 pcs/tube	135 gm/50 pcs	3.5" x 3.7" x 21.5"	1K	19" x 19" x 19"	10K	28 kgs

Component Disposal Instructions

1. CDIL Semiconductor Devices are RoHS compliant, customers are requested to please dispose as per prevailing Environmental Legislation of their Country.
2. In Europe, please dispose as per EU Directive 2002/96/EC on Waste Electrical and Electronic Equipment (WEEE).

Disclaimer

The product information and the selection guides facilitate selection of the CDIL's Discrete Semiconductor Device(s) best suited for application in your product(s) as per your requirement. It is recommended that you completely review our Data Sheet(s) so as to confirm that the Device(s) meet functionality parameters for your application. The information furnished in the Data Sheet and on the CDIL Web Site/CD is believed to be accurate and reliable. CDIL however, does not assume responsibility for inaccuracies or incomplete information. Furthermore, CDIL does not assume liability whatsoever, arising out of the application or use of any CDIL product; neither does it convey any license under its patent rights nor rights of others. These products are not designed for use in life saving/support appliances or systems. CDIL customers selling these products (either as individual Discrete Semiconductor Devices or incorporated in their end products), in any life saving/support appliances or systems or applications do so at their own risk and CDIL will not be responsible for any damages resulting from such sale(s).

CDIL strives for continuous improvement and reserves the right to change the specifications of its products without prior notice.



CDIL is a registered Trademark of

Continental Device India Limited

C-120 Naraina Industrial Area, New Delhi 110 028, India.

Telephone + 91-11-2579 6150, 4141112 Fax + 91-11-2579 5290, 4141 1119

email@cdil.com www.cdilsemi.com