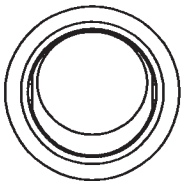
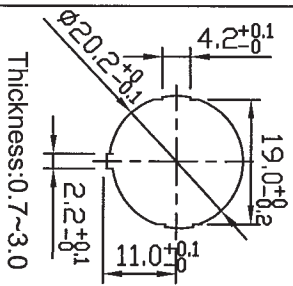
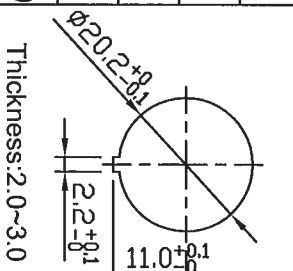
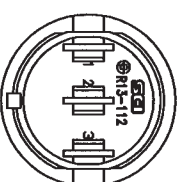
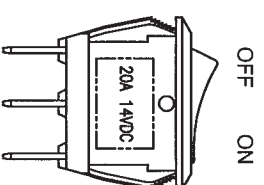
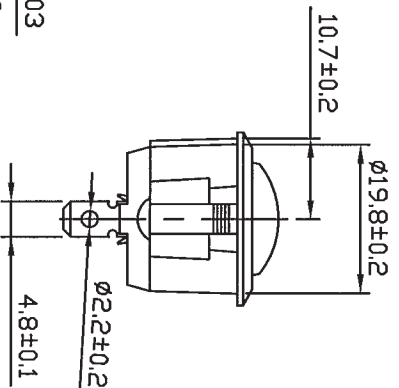
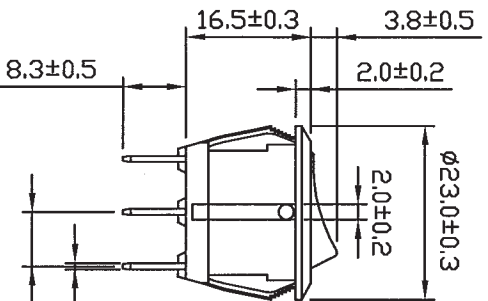
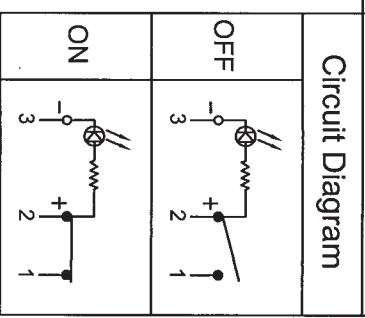


Rating	20A 14VDC
Contact Resistance	50m ohm Max.
Insulation Resistance	DC 500V 100M ohm Min.
Dielectric Strength	AC 1500V 1 minute
Operation Temperature	-25°C ~ 85°C
Switch Function	3P SPST ON-OFF (LED dependent)

Mounting Hole



Material:
 Frame: Nylon#66, Black
 Actuator: PC, Red clear
 Printed: None



08/04/14 曹盈芳 依公司規定追加SCI Logo, 本體Rating改為20A 14VDC
 11/08/10 Zhong 依客戶要求將燈泡更換為 Ø3 LED.

Date Name Description No.

Drawn	Checked	Approved	SCI BOM No.	1820872	Model Name	ROCKER SWITCH
曹盈芳		王伊斌	Customer No.		Model No.	R13-112B-02
08/04/14		8/14/14	Unit	mm	Shin Chin Industrial Co., Ltd.	
					Rev.	2