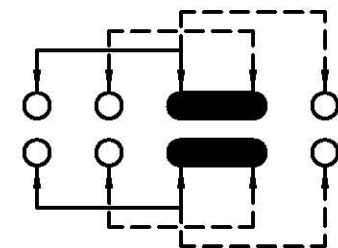
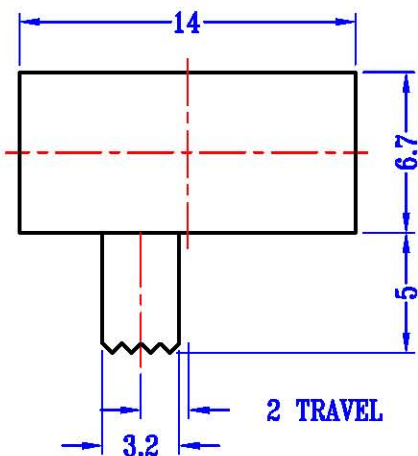
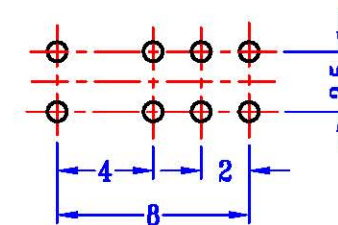
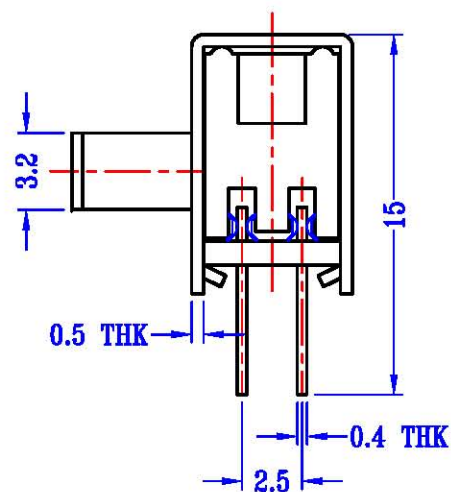
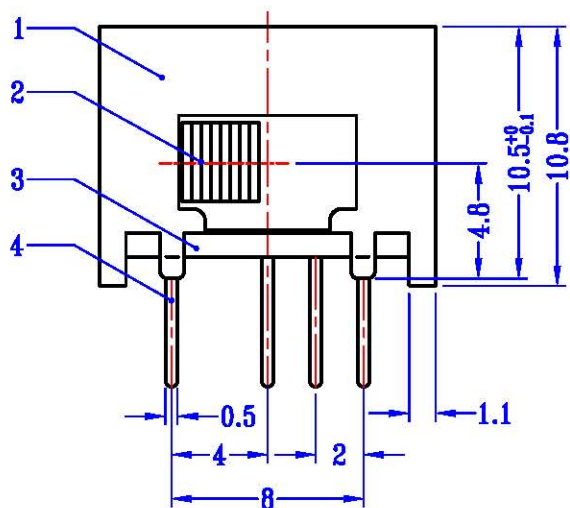




CAD FILE:



SCHEMATIC(NON-SHORTING)



P.C.B LAYOUT  
BOTTOM VIEW

8					<b>TOLERANCE</b>					
7	STEEL BALL	STEEL	1	NATURAL	UNLESS SPECIFIED					
6			1	NATURAL	WITHIN 1.5mm : ±0.1mm	A	2012-09-07	初版		卢业创
5			2	Ag PLATED	OVER 1.5mm : ±0.2mm	ISSUE	DATE	DESCRIPTIONS OF REVISION		APPD.
4		B	8	Ag PLATED	TITLE : HORIZONTAL SLIDE SWITCH		UNIT : mm	DWG NO.: SK-23D01-G5-CN55-B1		
3		PHENOLIC RESIN	1	NATURAL	ITEM NO.: SK-23D01-G5		SCALE: 3:1	DWN.	CHUN	2012-09-07
2		POM	1	BLACK	同利企業有限公司 TELE LONG ENTERPRISE CO.,LTD.		CHK'D	YANG		
1			1	Ni PLATED	E-mail: rayyang@seed.net.tw		APPD.	RAY		
<b>NO.</b>	<b>PARTS</b>	<b>MATERIALS</b>	<b>Q'TY</b>	<b>FINISH</b>						