

EHS SERIES HALF PITCH SMT TYPE, THE LOWEST PROFILE DIP SWITCH



EHS 1.27mm PITCH



EHS J-Hook Type

■ FEATURES

- Standard 0.05" integrated circuit pitch.
- Smaller size makes better heat convection during PC board wave soldering.
- Top tape sealed to withstand wave soldering, board washing.
- All plastics are UL 94V-0 grade fire retardant.
- Gold plated contact to ensure low contact resistance and long mechanical life.
- RoHS Compliant

■ APPLICATIONS

- Hand-held electronic devices, such as PDA, MP3, radios
- Portable computer and electronic devices, such as notebook, computers
- Instrumentation and industrial control products, such as CDROM, coin changers

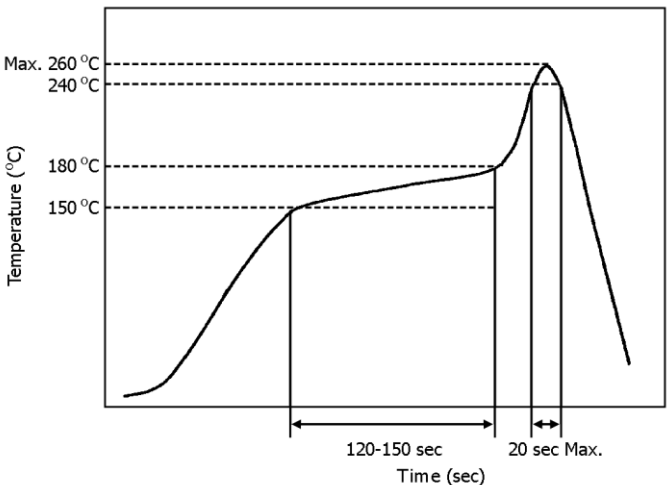
■ SPECIFICATIONS

1.ELECTRICAL

● Contact rating	switching	25mA, 24VDC
	non-switching	100mA
● Contact resistance	100mΩ Max.	
● Insulation resistance	500MΩ Min. at 100VDC	
● Dielectric strength	300VAC Min. for 60 seconds	
● Capacitance between adjacent switches 5pF Max.		

2.MECHANICAL and ENVIRONMENTAL

● Temperature rating	operation	-25°C to +70°C
	storage	-40°C to +85°C
● Operation force	800g Max.	
● Mechanical life	1000 operations	
● Humidity	95% RH, 40°C for 96Hrs.	
● Vibration	10Hz-55Hz-10Hz for 6Hrs.	
● Reflow soldering heart for SMT type (reference only)	240°C for 20 seconds or less, peak temperature 260°C or less	



Temperature (°C)

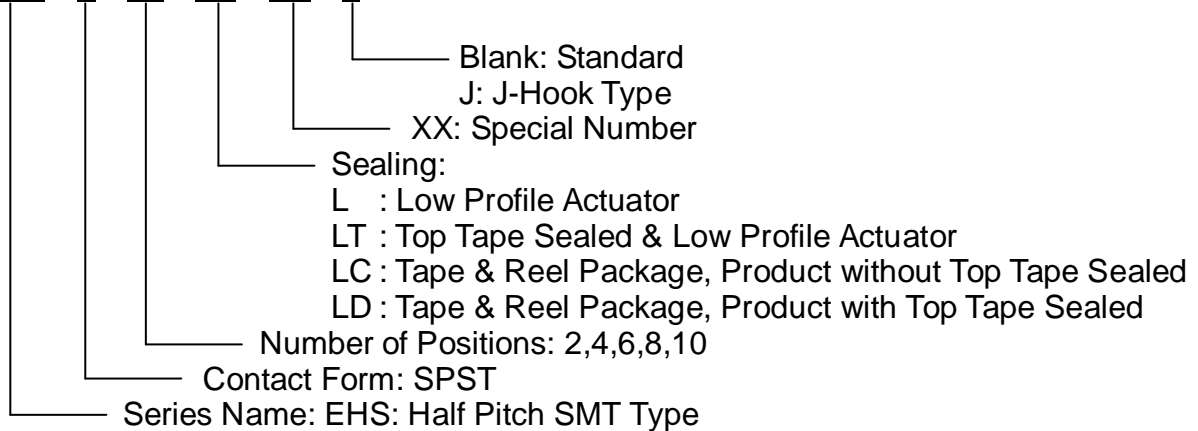
Time (sec)

120-150 sec

20 sec Max.

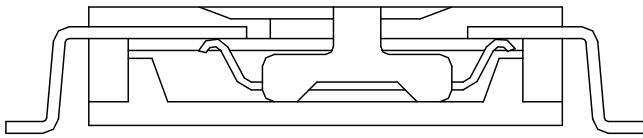
■ PART NUMBERING SYSTEM

EHS 1 06 XX XX J

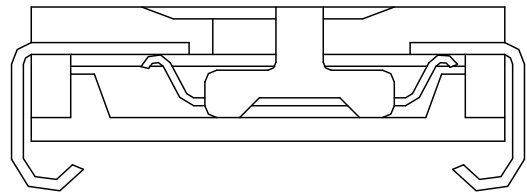


CONSTRUCTION

EHS



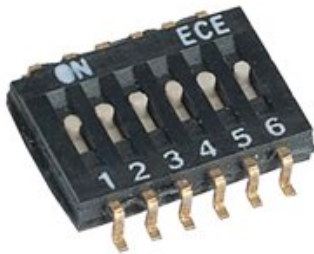
EHS J TYPE



OPTIONS

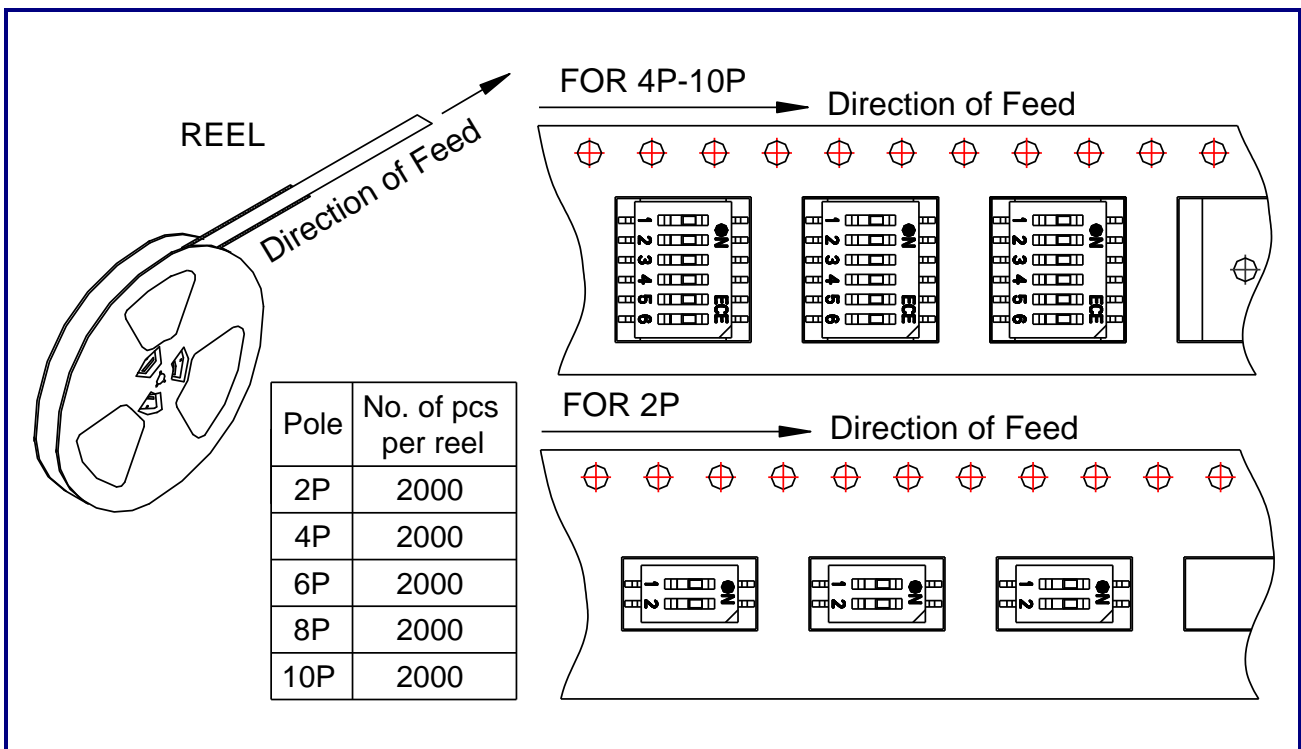
1. Special marking and case color available

2. Top Tape Sealed



PACKAGING

1. Tape & Reel Packaging (Per EIA STANDARD)



DIMENSIONS AND CIRCUITRY

