

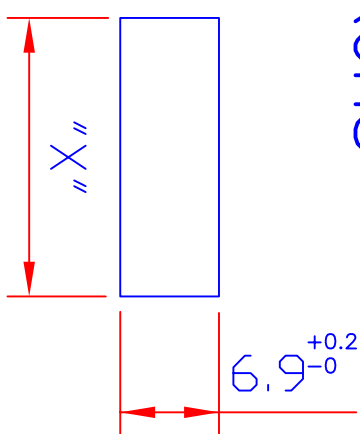
RoHS

RATING : 10A/125VAC
6A/250VAC

9.5

PANEL HOLE SIZE

| | |
|-----------------|------|
| Panel thickness | X |
| 0.75-1.25 | 19.2 |
| 1.25-2.0 | 19.4 |
| 2.0-3.0 | 19.6 |



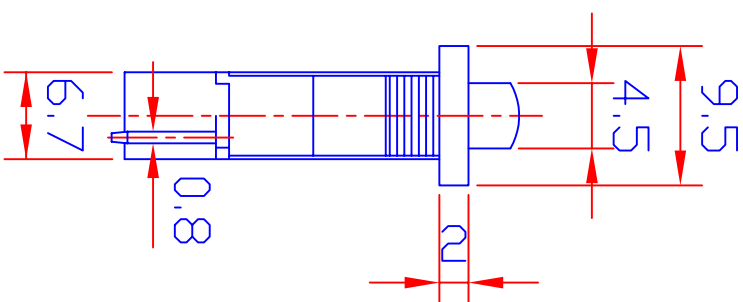
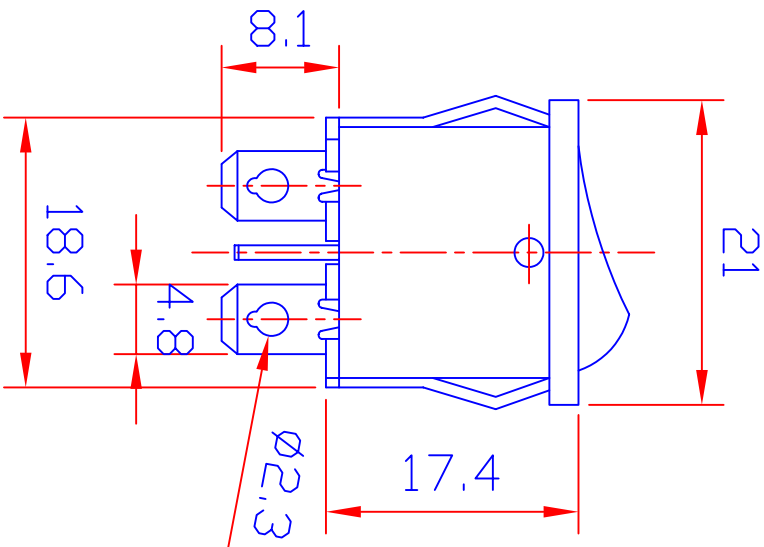
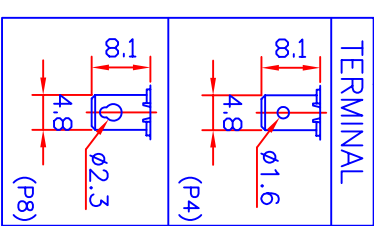
PANEL HOLE

FUNCTION

RL3-4S-A-BB-2-P8



| | |
|-------------|--------------|
| Housing/Cap | Cap Printing |
| B Black | 0 None |
| W White | 1 |
| R Red | 2 |
| | 3 |



| | | | | | |
|----------|-------------|---------|------------------------------|---------------|---------------|
| NO. | DESCRIPTION | QTY | MATERIAL | SPECIFICATION | REMARK |
| DRAW BY | 周佩君 | 110707 | 2 : 1 | | RL3-4S |
| DEGN BY | | | | | ROCKER SWITCH |
| APPD BY | | UNIT | MM | PROJ | |
| 同利企業有限公司 | | | TELE LONG ENTERPRISE CO.,LTD | | |
| DATE | DRAWG BY | REVISED | | DWG NO. | RL3-4S-CN05-C |

(RL3-4(S))